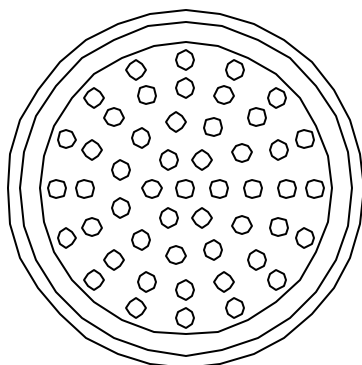
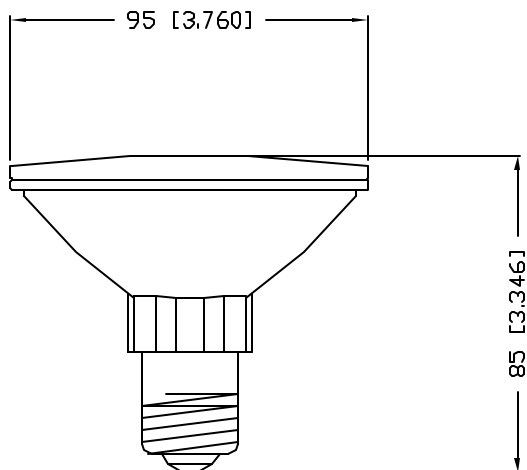


UNCONTROLLED DOCUMENT

PART NUMBER
SSP-50PAR306U110

REV.



ELECTRO-OPTICAL CHARACTERISTICS $T_A=25^{\circ}\text{C}$ $V_f=1.20\text{VAC}$

PARAMETER	MIN	TYP	MAX	UNITS
PEAK WAVELENGTH		626		nm
FORWARD VOLTAGE		120		VAC
POWER DISSIPATION		2.4		W
LUMINOUS FLUX		28		lm
VIEWING ANGLE		15		2x theta
OPERATING, STORAGE TEMP.	-20		+70	$^{\circ}\text{C}$
EMITTED COLOR:	RED			
EPOXY LENS FINISH:	WATER CLEAR			

UNCONTROLLED DOCUMENT

*UNLESS OTHERWISE SPECIFIED TOLERANCES PER DECIMAL PRECISION ARE: X=±1 (±0.038), X.X=±0.5 (±0.020), X.XX=±0.25 (±0.010), X.XXX=±0.127 (±0.005). LEAD SIZE=±0.05 (±0.002), LEAD LENGTH=±0.75 (±0.030). MIN= +DECIMAL PRECISION -0.00, MAX= +0.00 -DECIMAL PRECISION

REV.

PART NUMBER

SSP-50PAR306U110

CONFIDENTIAL INFORMATION

THE INFORMATION CONTAINED IN THIS DOCUMENT IS THE PROPERTY OF SUNBRITE LEDS. EXCEPT AS SPECIFICALLY AUTHORIZED IN WRITING BY SUNBRITE LEDS, THE HOLDER OF THIS DOCUMENT SHALL KEEP ALL INFORMATION CONTAINED HEREIN CONFIDENTIAL AND SHALL PROTECT SAME IN WHOLE OR IN PART FROM DISCLOSURE AND DISSEMINATION TO ALL THIRD PARTIES.

RELIABILITY NOTE

OUR MANY YEARS OF EXPERIENCE DATA ACCUMULATION INDICATE THAT SOLDER HEAT IS A MAJOR CAUSE OF EARLY AND FUTURE FAILURE. PLEASE PAY ATTENTION TO YOUR SOLDERING PROCESS.



286 E. HELEN ROAD
PALATINE, IL 60067-6976
PHONE: +1.847.348.3116
FAX: +1.847.359.2867
WEB: www.sunbriteleds.com

50 LED, PAR 30, REPLACEMENT LAMP,
626nm RED LED, WATER CLEAR LENS.

DRAWN:

JD

CHECKED:

APPROVED:

DATE: 7.28.04

PAGE: 1 OF 1