

## Low-voltage stereo audio power amplifier based on the TS4984

Data Brief

### Features

- Operates from  $V_{CC}=2.2\text{ V}$  to  $5.5\text{ V}$
- $1\text{ W}$  output power per channel @  $V_{CC}=5\text{ V}$ ,  $\text{THD+N}=1\%$ ,  $R_L=8\ \Omega$
- $10\text{ nA}$  standby current
- $62\text{ dB}$  PSRR @  $217\text{ Hz}$  with grounded inputs
- High SNR:  $100\text{ dB}$  (A-weighted filter) typ.
- Near-zero pop and click
- Available in the QFN16  $4\times 4\text{ mm}$ ,  $0.5\text{ mm}$  pitch, lead-free package

### Description

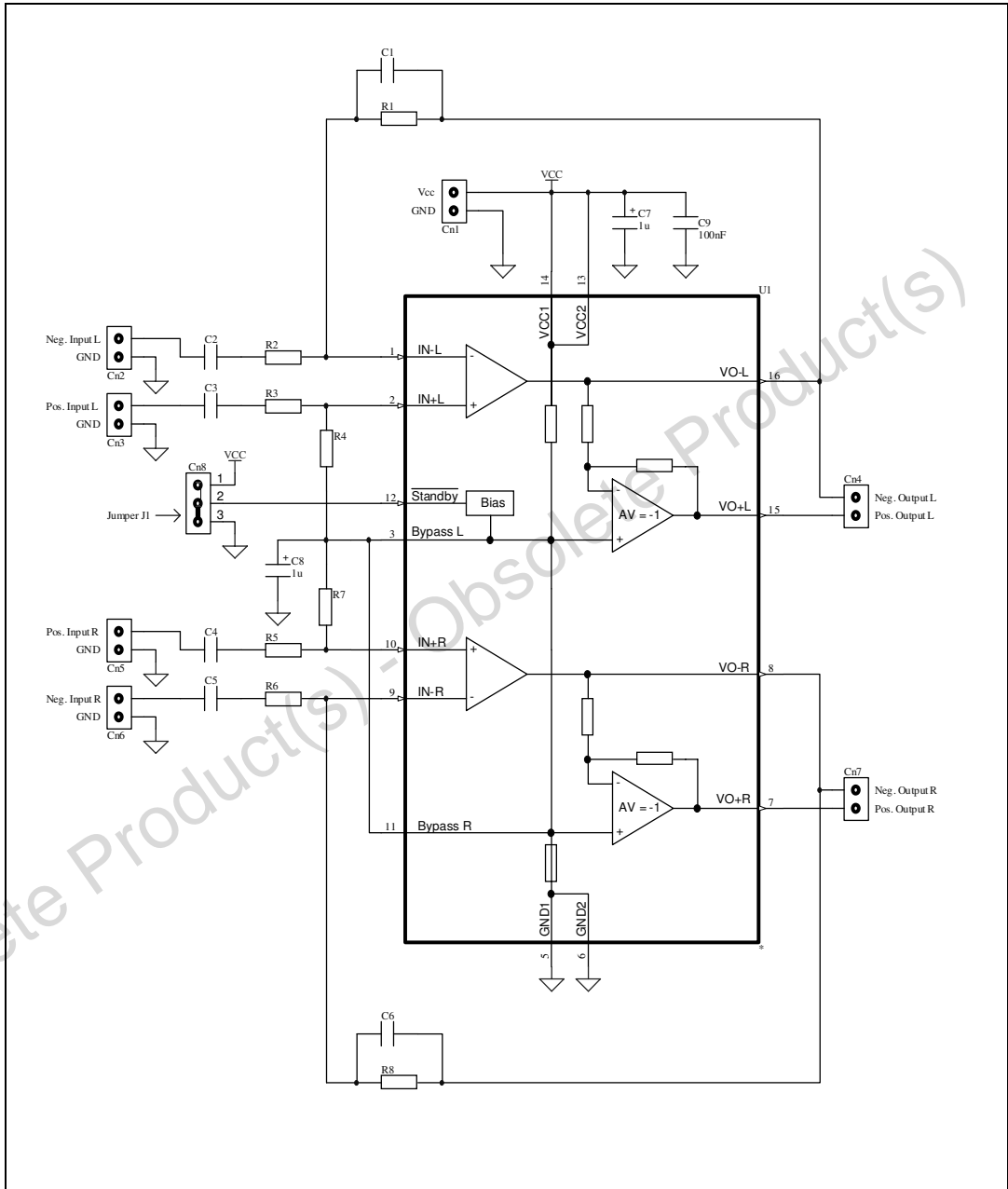
This evaluation board is designed for the TS4984 stereo audio power amplifier. The micro-package QFN16 (quad, flat, non-leaded, 16-pin) combines space-saving with good thermal dissipation. The BTL gain is set at  $2\text{ V}$  for both channels and can be adapted if necessary with a modification of  $R1/R8$  or  $R2/R6$  values for the left/right channels. The  $R3/R6$  and  $C3/C5$  component locations are empty on the board to allow changes to both input configurations from single-ended to differential. For use in differential mode,  $R4/R7$  must be modified. The  $C1/C6$  component locations are also left empty so that, if required, a low-pass filter can be added.



STEVAL-CCA003V1

# 1 Circuit schematic

Figure 1. Schematic



## 2 Revision history

Table 1. Document revision history

Date	Revision	Changes
28-Jan-2008	1	Initial release.

Obsolete Product(s) - Obsolete Product(s)

**Please Read Carefully:**

Information in this document is provided solely in connection with ST products. STMicroelectronics NV and its subsidiaries ("ST") reserve the right to make changes, corrections, modifications or improvements, to this document, and the products and services described herein at any time, without notice.

All ST products are sold pursuant to ST's terms and conditions of sale.

Purchasers are solely responsible for the choice, selection and use of the ST products and services described herein, and ST assumes no liability whatsoever relating to the choice, selection or use of the ST products and services described herein.

No license, express or implied, by estoppel or otherwise, to any intellectual property rights is granted under this document. If any part of this document refers to any third party products or services it shall not be deemed a license grant by ST for the use of such third party products or services, or any intellectual property contained therein or considered as a warranty covering the use in any manner whatsoever of such third party products or services or any intellectual property contained therein.

**UNLESS OTHERWISE SET FORTH IN ST'S TERMS AND CONDITIONS OF SALE ST DISCLAIMS ANY EXPRESS OR IMPLIED WARRANTY WITH RESPECT TO THE USE AND/OR SALE OF ST PRODUCTS INCLUDING WITHOUT LIMITATION IMPLIED WARRANTIES OF MERCHANTABILITY, FITNESS FOR A PARTICULAR PURPOSE (AND THEIR EQUIVALENTS UNDER THE LAWS OF ANY JURISDICTION), OR INFRINGEMENT OF ANY PATENT, COPYRIGHT OR OTHER INTELLECTUAL PROPERTY RIGHT.**

**UNLESS EXPRESSLY APPROVED IN WRITING BY AN AUTHORIZED ST REPRESENTATIVE, ST PRODUCTS ARE NOT RECOMMENDED, AUTHORIZED OR WARRANTED FOR USE IN MILITARY, AIR CRAFT, SPACE, LIFE SAVING, OR LIFE SUSTAINING APPLICATIONS, NOR IN PRODUCTS OR SYSTEMS WHERE FAILURE OR MALFUNCTION MAY RESULT IN PERSONAL INJURY, DEATH, OR SEVERE PROPERTY OR ENVIRONMENTAL DAMAGE. ST PRODUCTS WHICH ARE NOT SPECIFIED AS "AUTOMOTIVE GRADE" MAY ONLY BE USED IN AUTOMOTIVE APPLICATIONS AT USER'S OWN RISK.**

Resale of ST products with provisions different from the statements and/or technical features set forth in this document shall immediately void any warranty granted by ST for the ST product or service described herein and shall not create or extend in any manner whatsoever, any liability of ST.

ST and the ST logo are trademarks or registered trademarks of ST in various countries.

Information in this document supersedes and replaces all information previously supplied.

The ST logo is a registered trademark of STMicroelectronics. All other names are the property of their respective owners.

© 2008 STMicroelectronics - All rights reserved

STMicroelectronics group of companies

Australia - Belgium - Brazil - Canada - China - Czech Republic - Finland - France - Germany - Hong Kong - India - Israel - Italy - Japan - Malaysia - Malta - Morocco - Singapore - Spain - Sweden - Switzerland - United Kingdom - United States of America

[www.st.com](http://www.st.com)