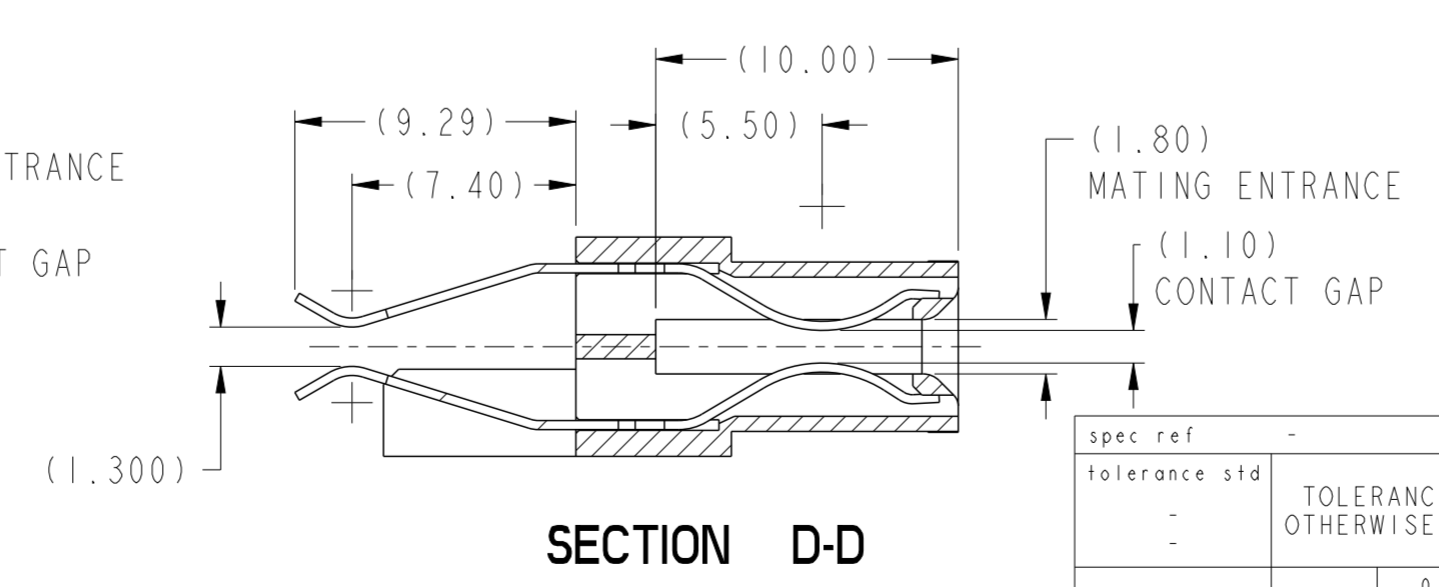
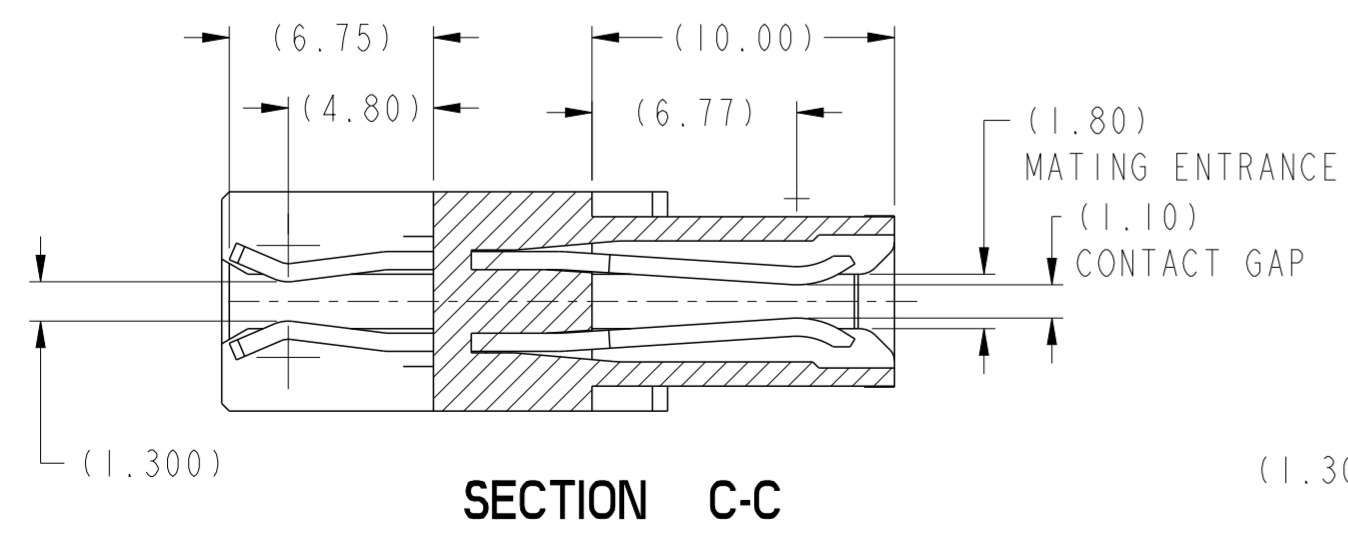
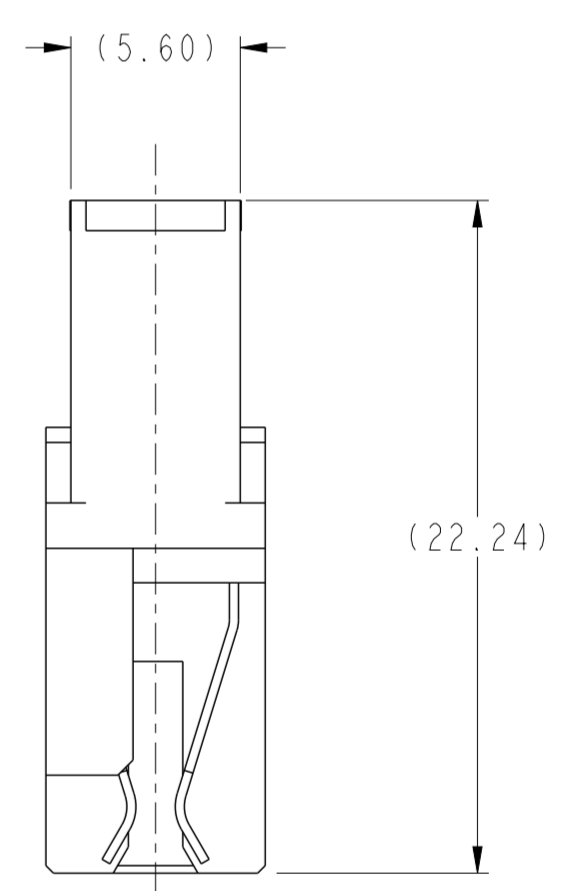
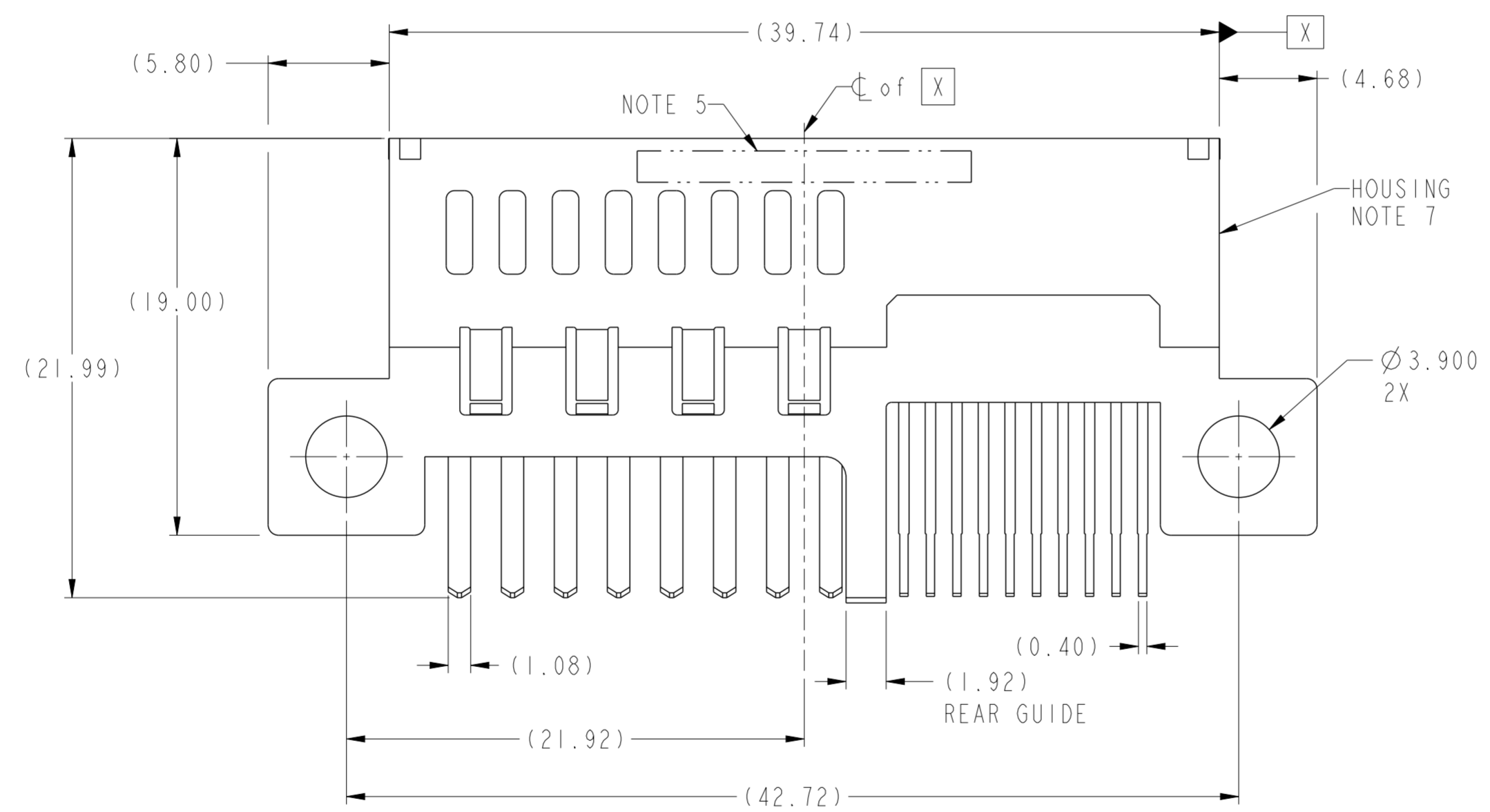
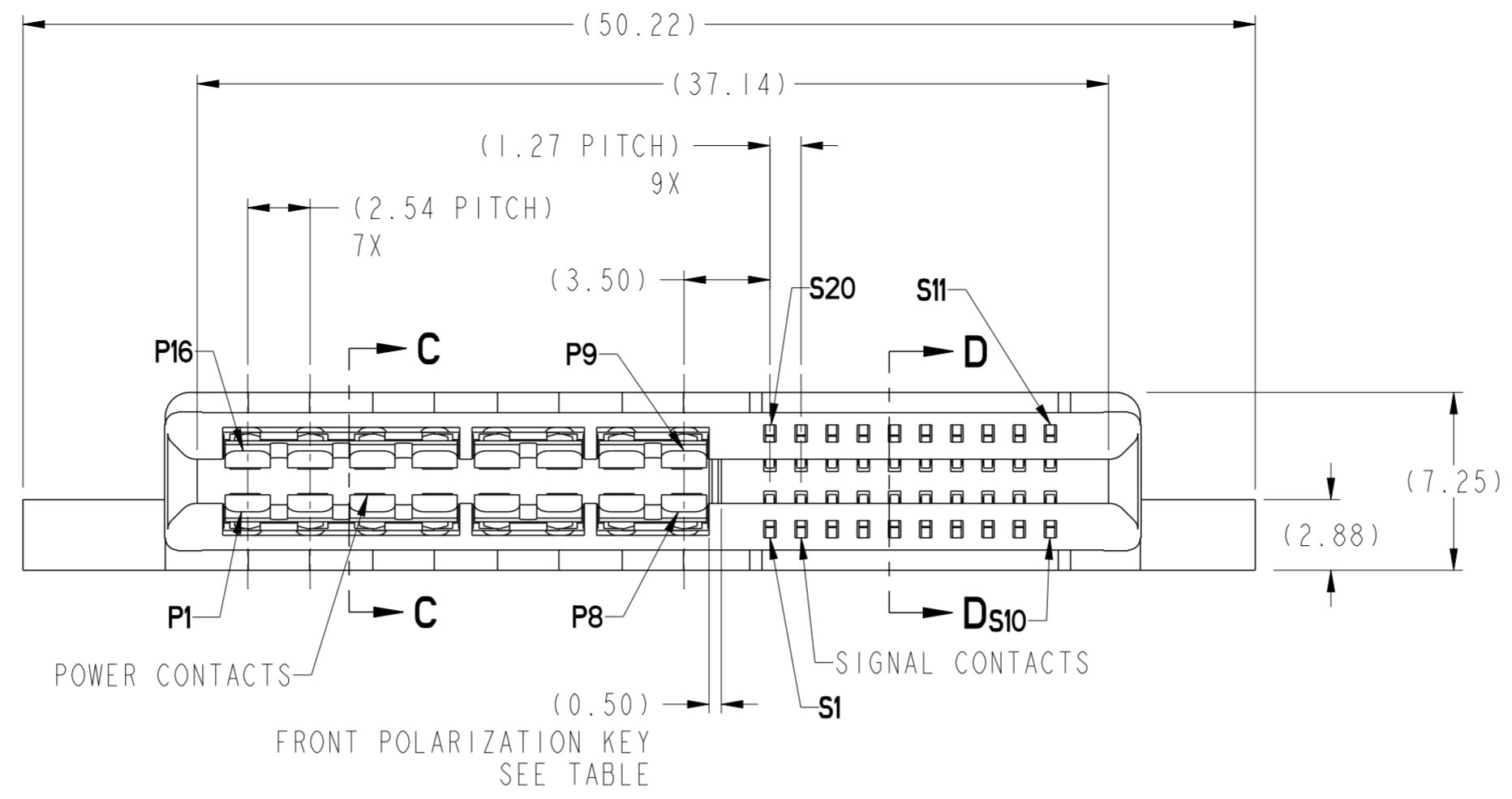
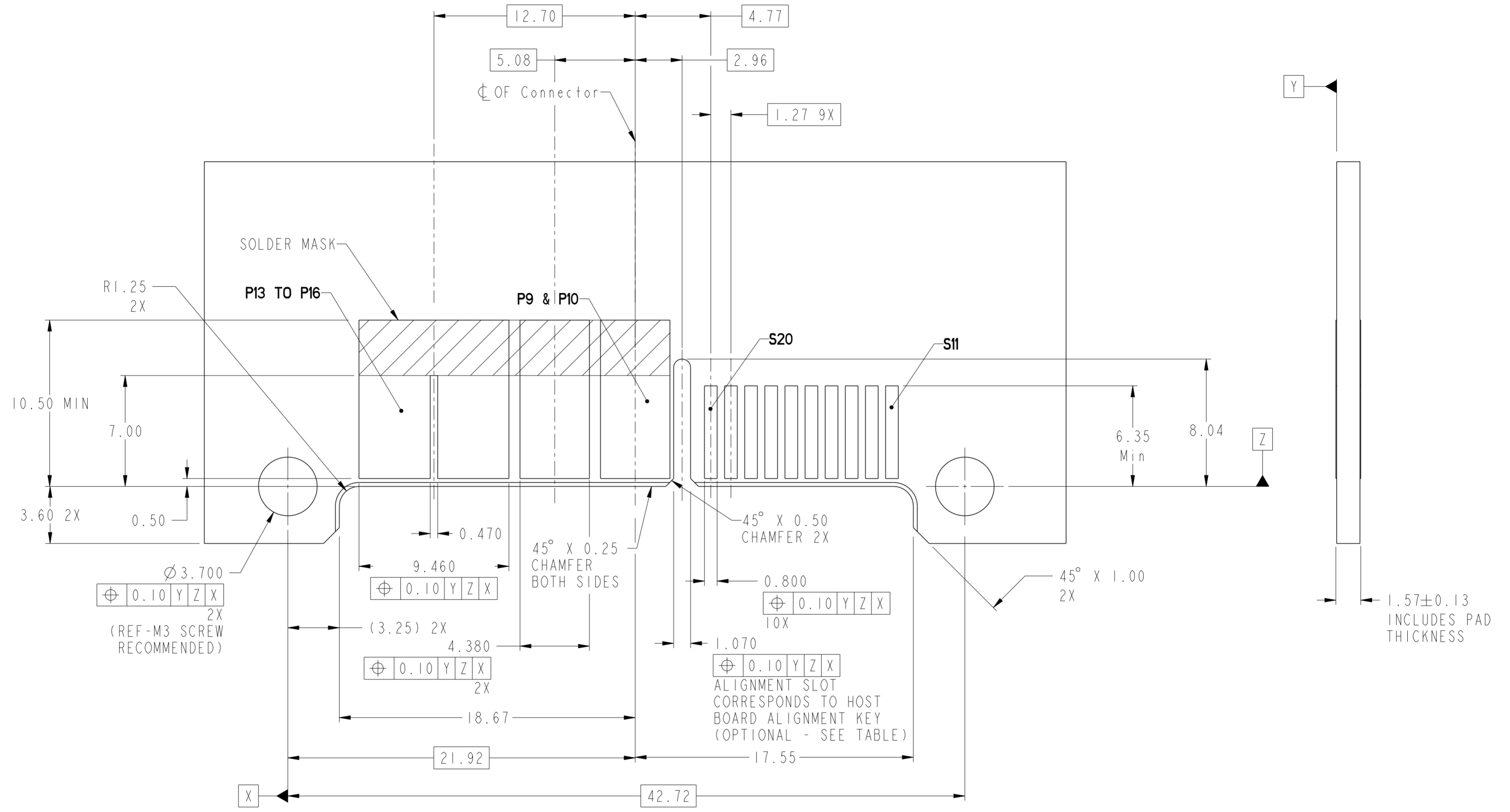


A
B
C
D
E
F

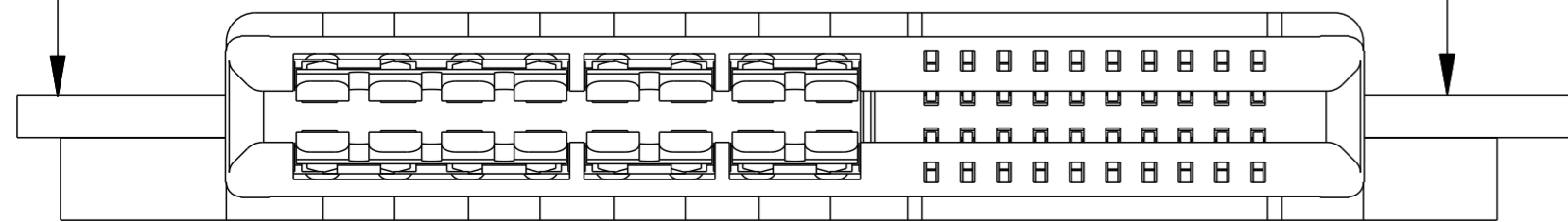


spec ref	-	dr	Chris Gieski	2010/08/11	projection	MM	size	A2	scale	4:1
tolerance std	-	eng	Sunny2 Liu	2016/05/06			ecn no	ELX-DG-24036-1	rel level	Released
		chr	Terris Liu	2016/05/20						
		appr	Pei-Ming Zheng	2016/05/24	product family	CARD EDGE	dwg no	10115788	rev	C
surface	linear	0.X	±0.3	Amphenol FCI	HPCE-STRADDLE MT (16P-20S) (RECEPTACLE) SPECIAL CASE		cat. no.	Product - Customer Drw	sheet 1 of 5	
		0.XX	±0.1							
		0.XXX	±0.05							
	angular	0°	±°							

NEW RECOMENDED HOST BOARD LAYOUT FOR IMPROVED SOLDER REFLOW PROCESS

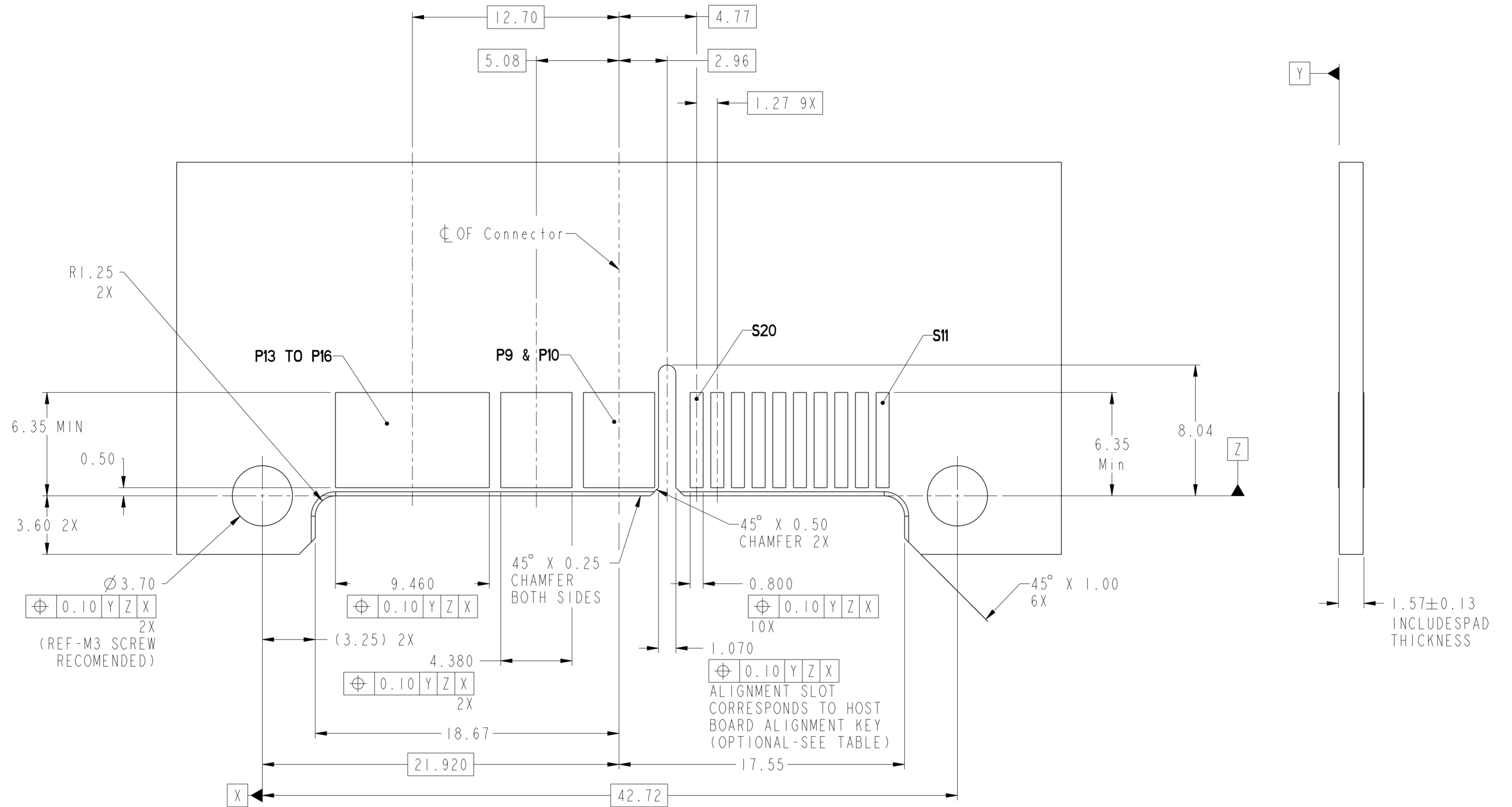


RECOMMENDED HOST BOARD LAYOUT AS VIEWED



spec ref	-	dr	Chris Gieski	2010/08/11	projection	MM	size	A2	scale	2:1
tolerance std	-	eng	Sunny2 Liu	2016/05/06			ecn no	ELX-DG-24036-1	rel level	Released
		chr	Terris Liu	2016/05/20						
		appr	Pai-Ming Zheng	2016/05/24						
surface	-	product family	HPCE-STRADDLE MT (16P-20S)			cat. no.	10115788	rev	C	
			(RECEPTACLE) SPECIAL CASE							
			Product - Customer Drw				sheet 2 of 5			

OLD RECOMENDED HOST BOARD LAYOUT



Amphenol
FCi

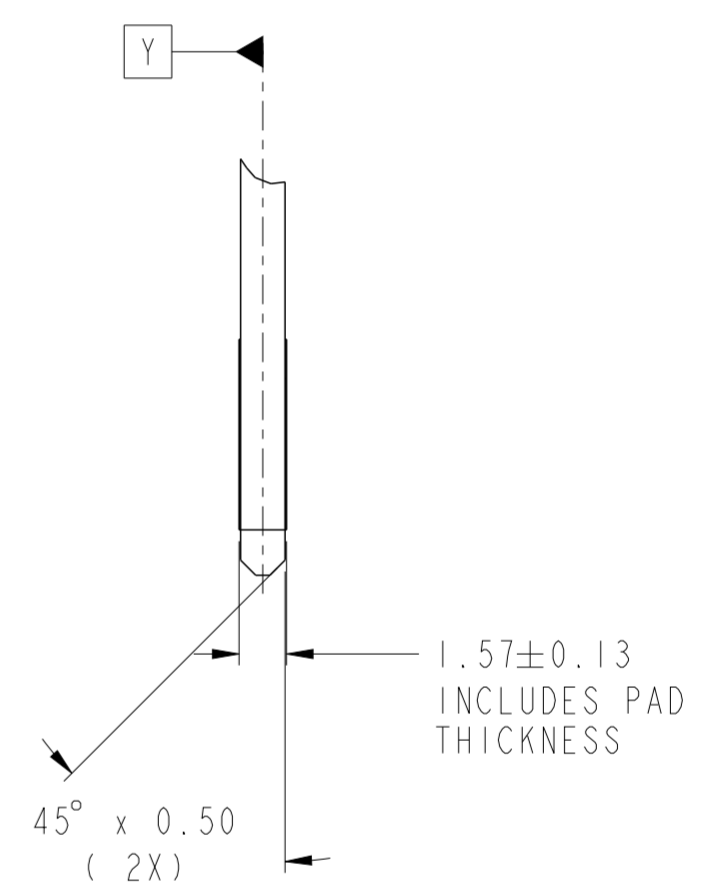
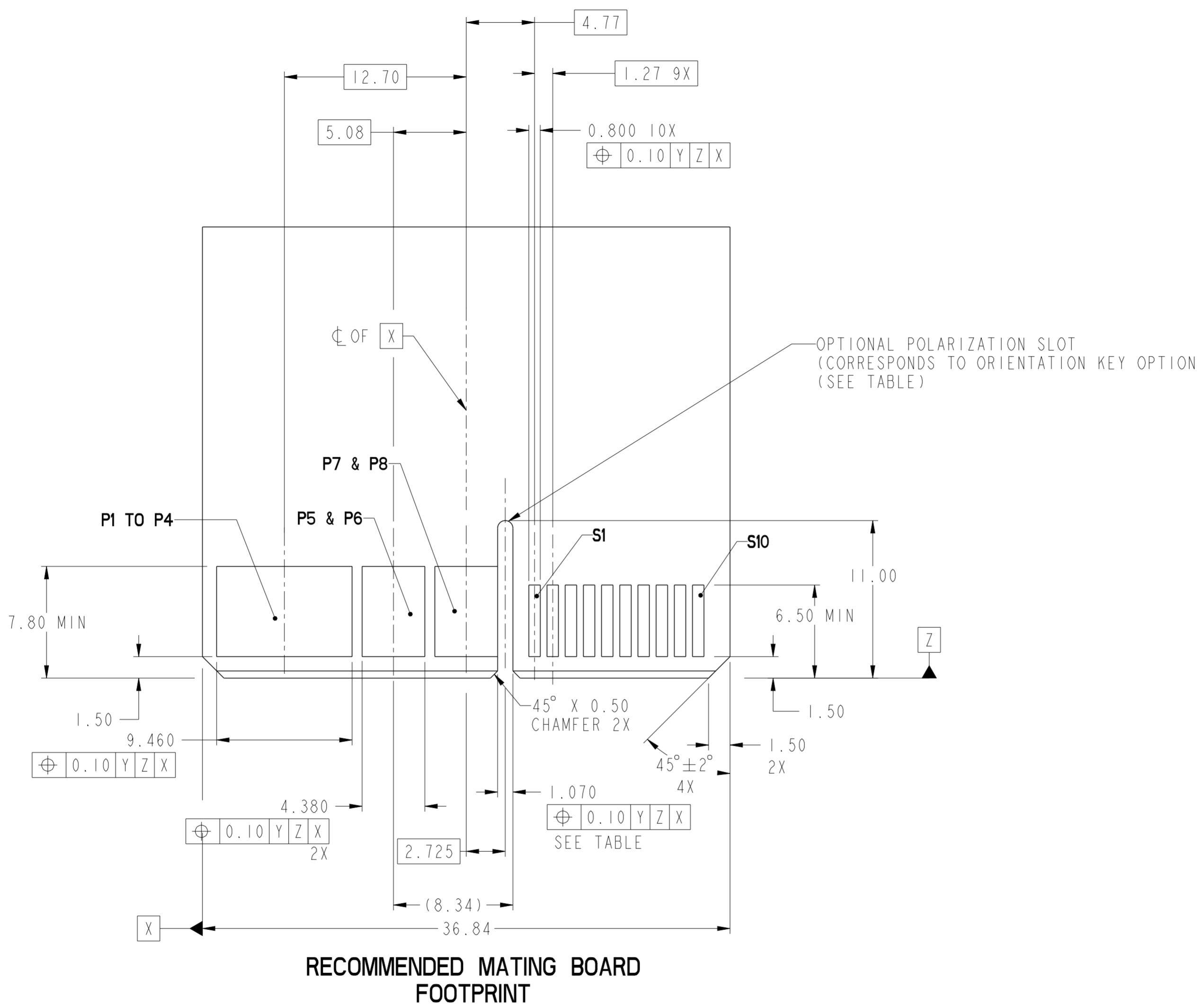
© 2016 AFci

spec ref	-	dr	Chris Gieski	2010/08/11	projection	MM	size	A2	scale	2:1	
tolerance std	-	eng	Sunny2 Liu	2016/05/06			ecn no	ELX-DG-24036-1	rel level	Released	
	TOLERANCES UNLESS OTHERWISE SPECIFIED	chr	Terris Liu	2016/05/20							
		appr	Pai-Ming Zheng	2016/05/24							
surface	linear	0.X	±0.3		title HPCE-STRADDLE MT (16P-20S) (RECEPTACLE) SPECIAL CASE	product family -	dwg no 10115788	rev C	cat. no. -	Product - Customer Drw	sheet 3 of 5
		0.XX	±0.1								
		0.XXX	±0.05								
	angular	0°	±°								

PDS: Rev :C

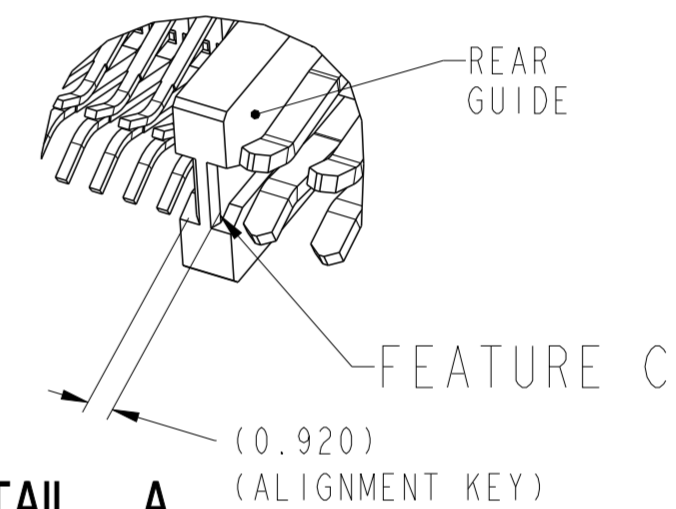
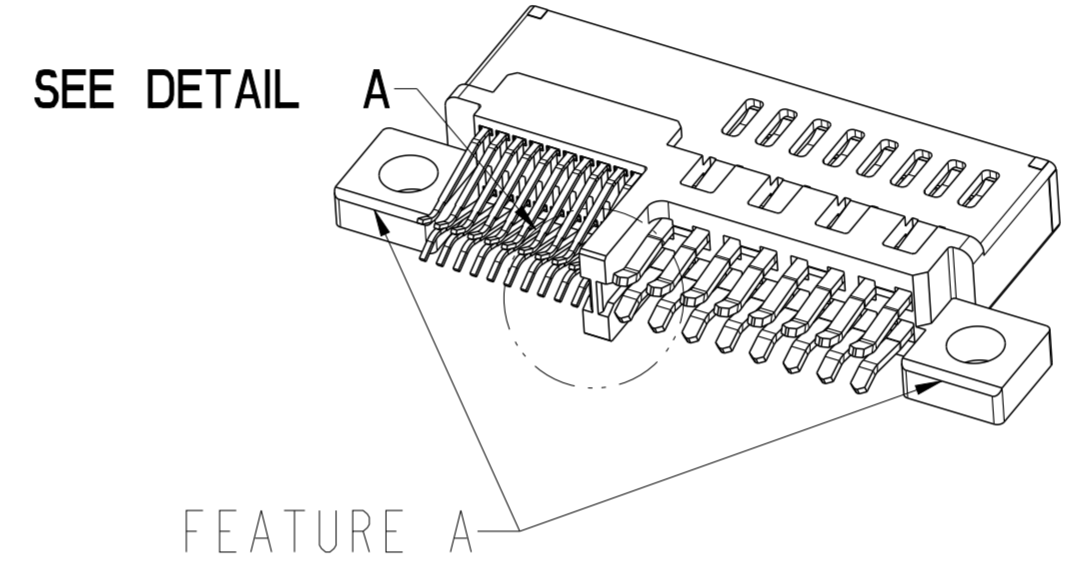
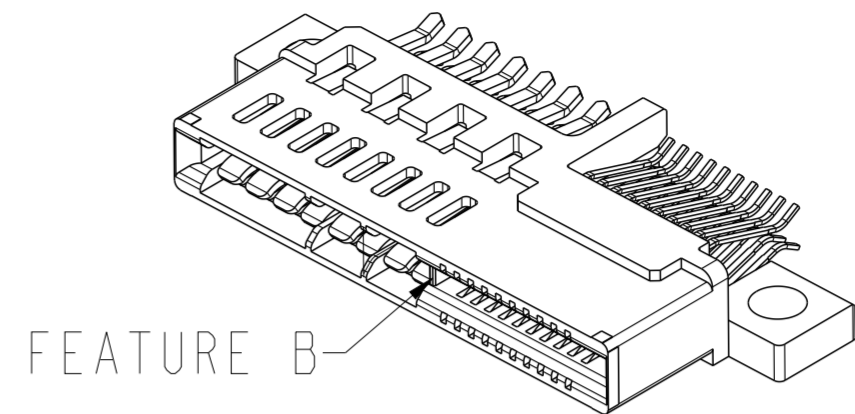
STATUS:Released

Printed: May 24, 2016

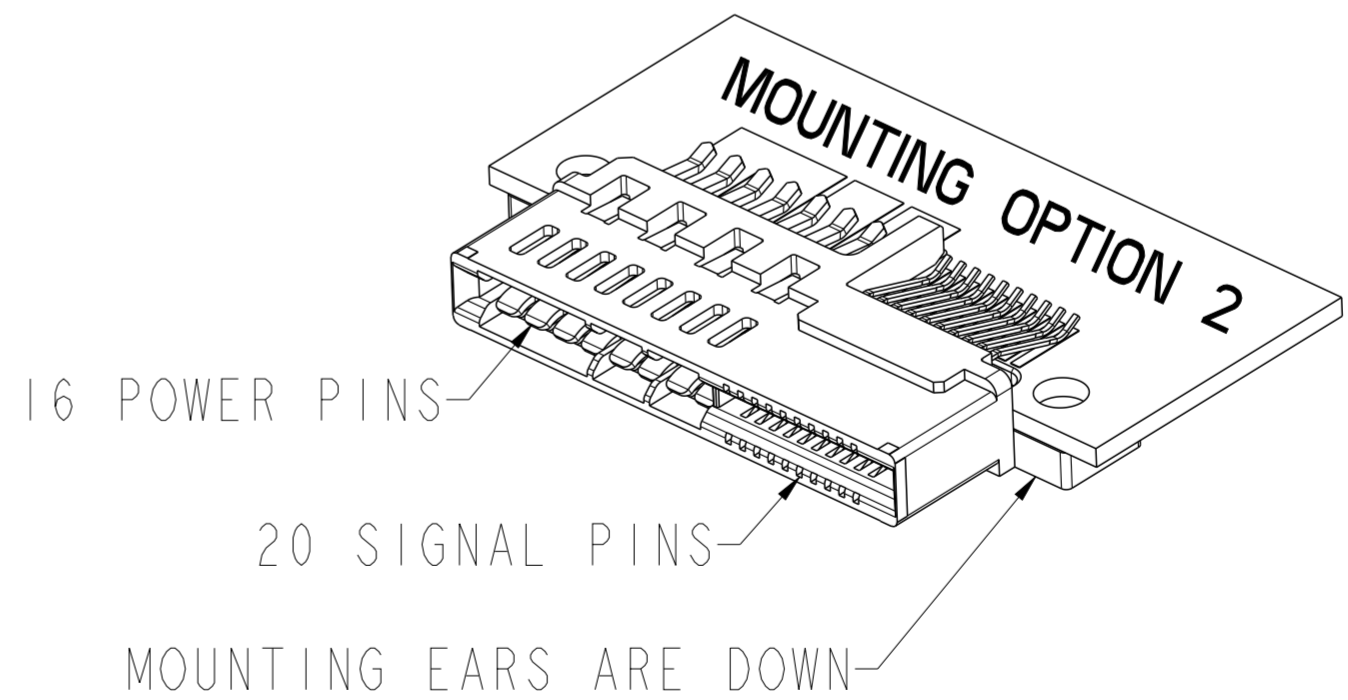
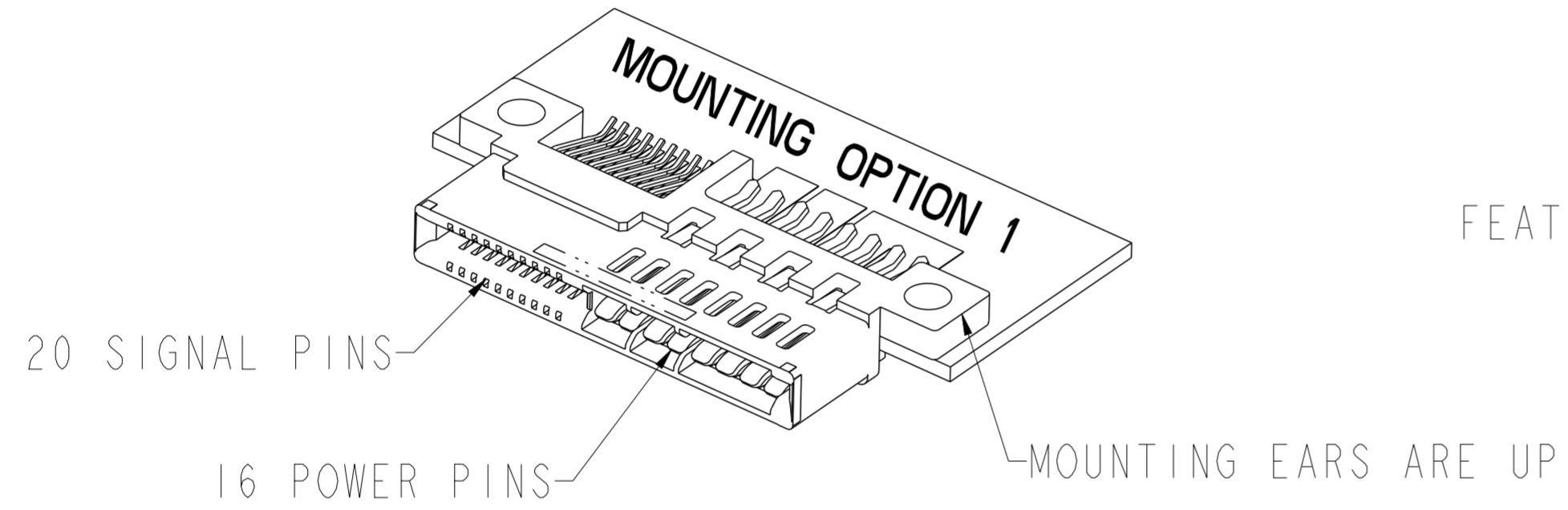


spec ref	-	dr	Chris Gieski	2010/08/11	projection	MM	size	A2	scale	1:1
tolerance std	-	eng	Sunny2 Liu	2016/05/06			ecn no	ELX-DG-24036-1	rel level	Released
	TOLERANCES UNLESS OTHERWISE SPECIFIED	chr	Terris Liu	2016/05/20						
		appr	Pai-Ming Zheng	2016/05/24						
surface	-				product family	-				
	linear	0.X	±0.3		title HPCE-STRADDLE MT (16P-20S) (RECEPTACLE) SPECIAL CASE	dwg no 10115788	rev C	Product - Customer Drw		sheet 4 of 5
		0.XX	±0.1							
	angular	0°	±°							

PART NUMBER	FEATURE C HOST BOARD ALIGNMENT KEY (SEE NOTE 8)	FEATURE A MOUNTING EARS	FEATURE B FRONT POLARIZATION KEY
10115788-005LF	NO	YES	NO
10115788-006LF	NO		YES
10115788-007LF	YES		NO
10115788-008LF	YES		YES



DETAIL SCALE A 4:1



- NOTES:
- CONNECTOR MATERIALS:
HOUSING: HIGH TEMPERATURE THERMAL PLASTIC, BLACK
UL 94V-0 COMPLIANT
CONTACTS: HIGH PERFORMANCE COPPER ALLOY.
 - CONTACT FINISH REF. GS-12-604 SECTION 5.2.
 - PRODUCT SPECIFICATION: GS-12-604.
 - APPLICATION SPECIFICATION: GS-20-128.
 - PRODUCT MARKING ON HOUSING IN AREA SHOWN MEETS AFCI SPECIFICATION: GS-24-007.
 - PACKAGING MEETS FCI SPECIFICATION GS-14-937.
 - HOUSING COMPONENT WILL WITHSTAND EXPOSURE TO 260°C PEAK TEMPERATURE FOR 60 SECONDS IN A CONVECTION, INFRA-RED, OR VAPOR PHASE REFLOW OVEN.
 - HOST BOARD ALIGNMENT KEY IS RECOMMENDED TO ENSURE PROPER ALIGNMENT OF SOLDER TAILS WITH HOST BOARD PADS.
 - THE OLD HOST BOARD IS ASSOCIATED WITH -001 & -002 PARTS
THE NEW HOST BOARD CAN BE USED WITH ALL DASH NUMBERS AND IS FOR IMPROVED SOLDER PROCESS
 - A SYMBOL \triangle WILL BE NEXT TO ANY DIMENSION, VIEW, OR NOTE WHICH HAS BEEN MODIFIED WITH THE CURRENT DRAWING REVISION.

spec ref	-	dr	Chris Gieski	2010/08/11	projection	MM	size	A2	scale	4:1	
tolerance std	TOLERANCES UNLESS OTHERWISE SPECIFIED	eng	Sunny2 Liu	2016/05/06			ecn no	ELX-DG-24036-1	rel level	Released	
		chr	Terris Liu	2016/05/20			product family	CARD EDGE			
surface	linear	0.X	±0.3		title	HPCE-STRADDLE MT (16P-20S)		dwg no	10115788	rev	C
		0.XX	±0.1		cat. no.	-	Product - Customer Drw	sheet 5 of 5			
	angular	0°	±°								

PDS: Rev :C

STATUS:Released

Printed: May 24, 2016

Amphenol FCI

© 2016 AFCI