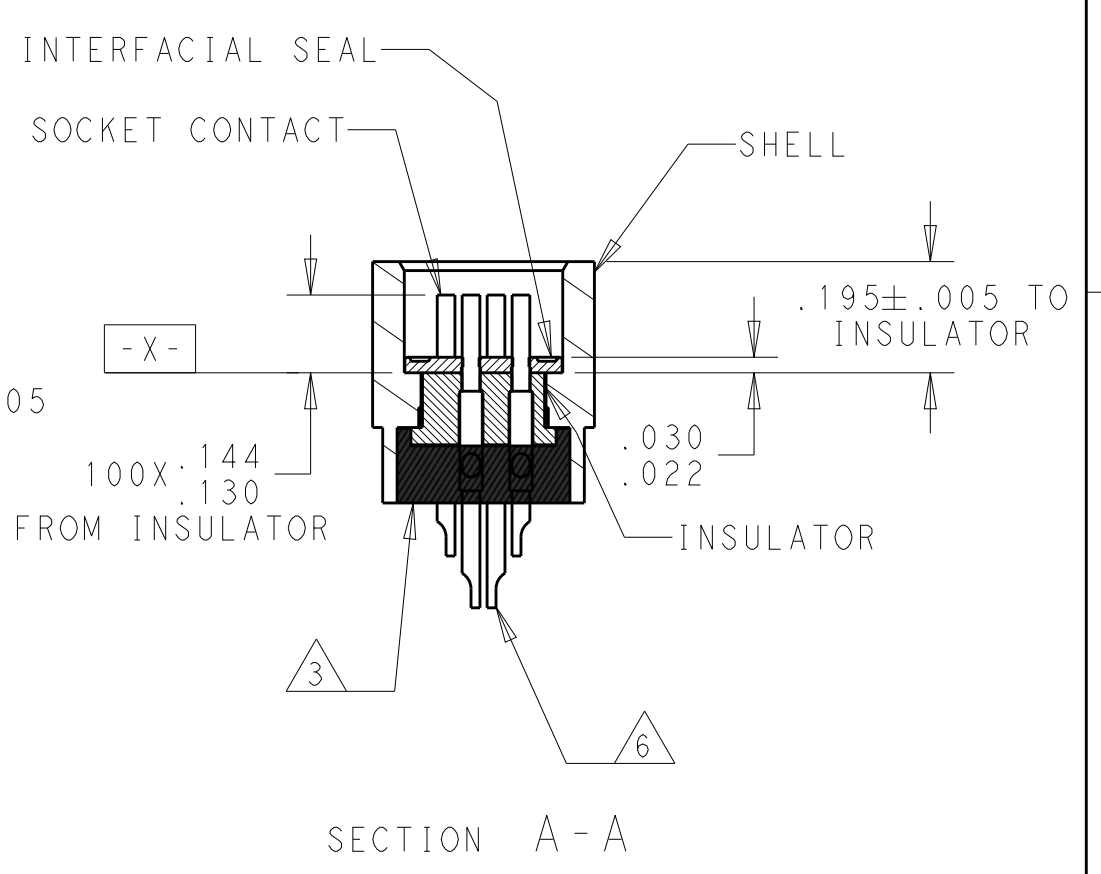
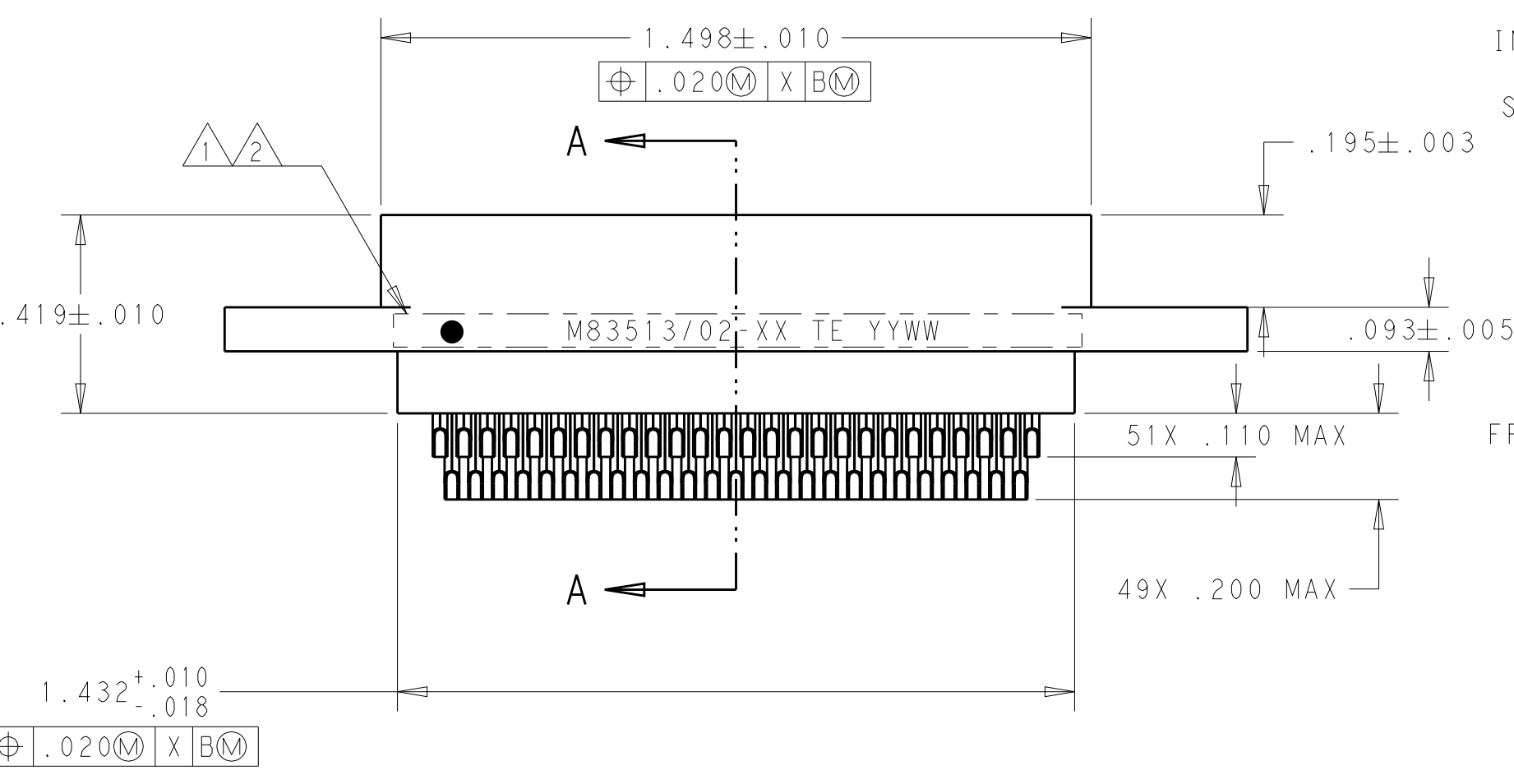
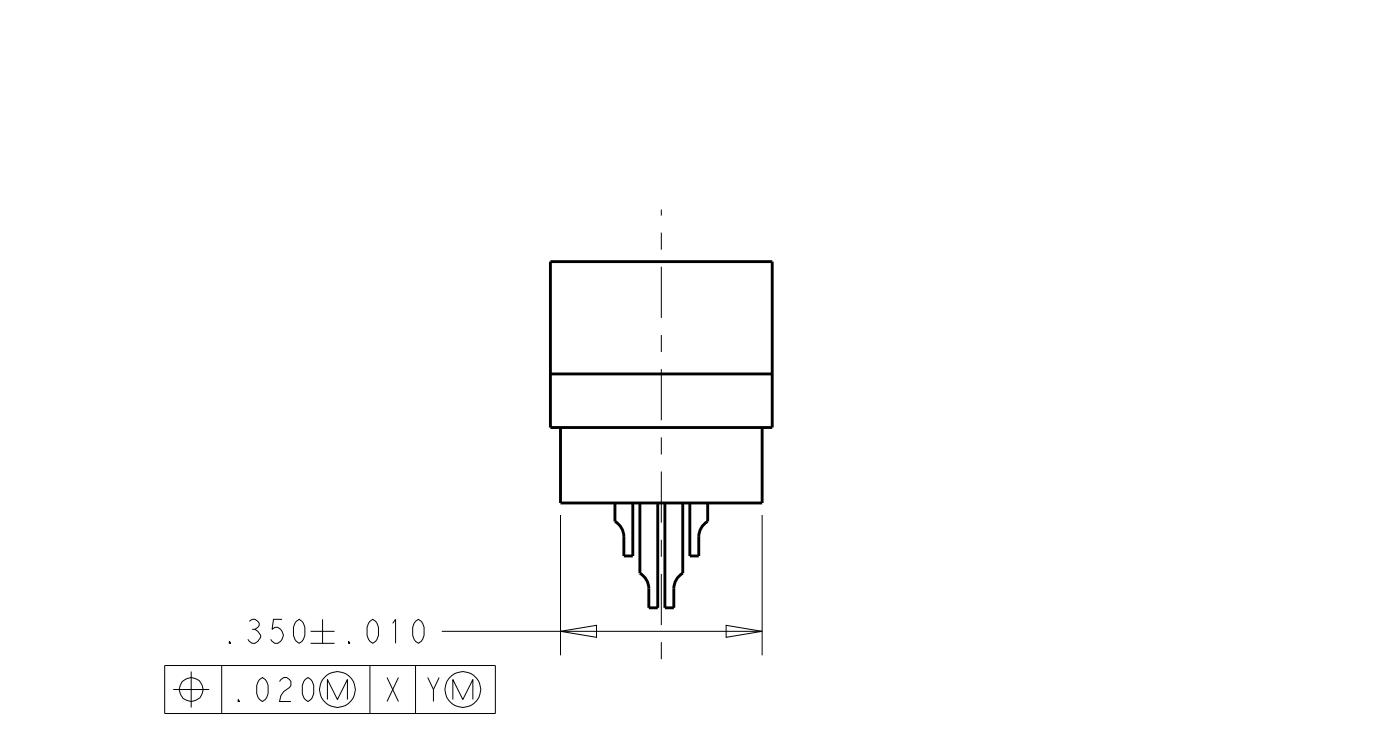
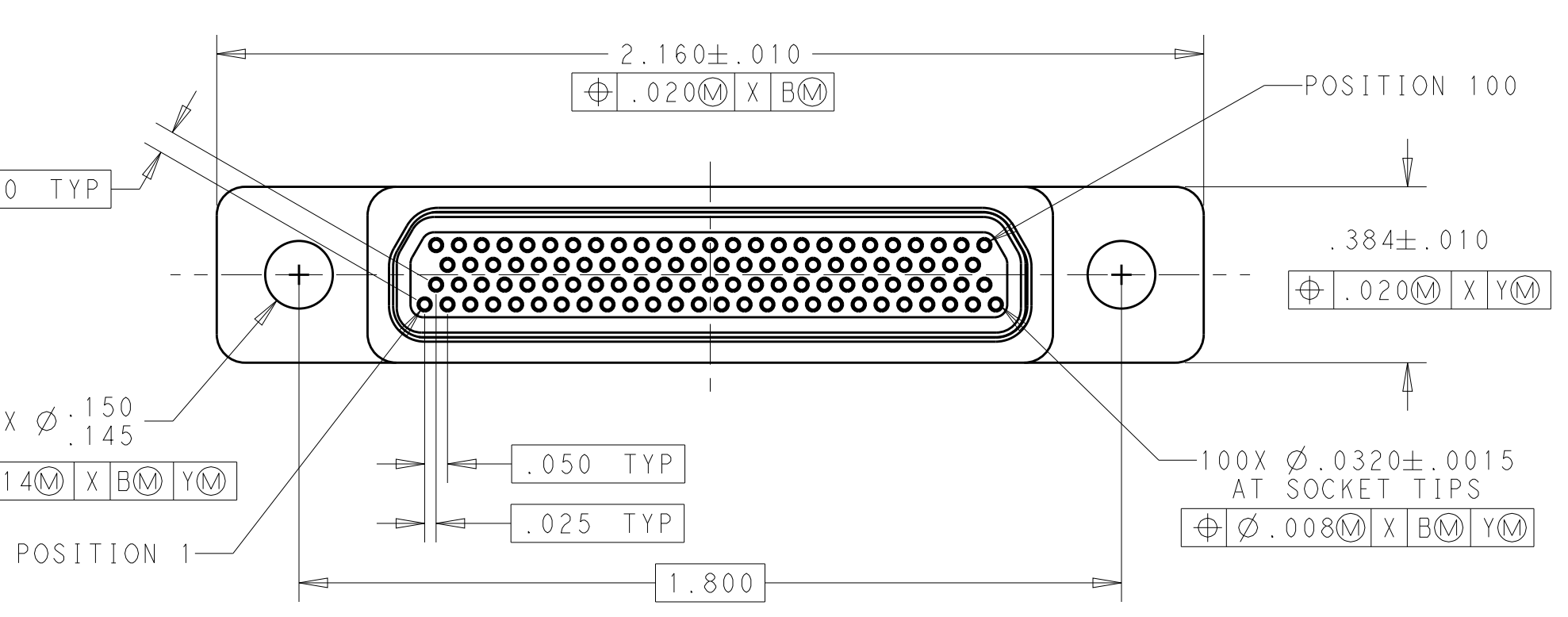
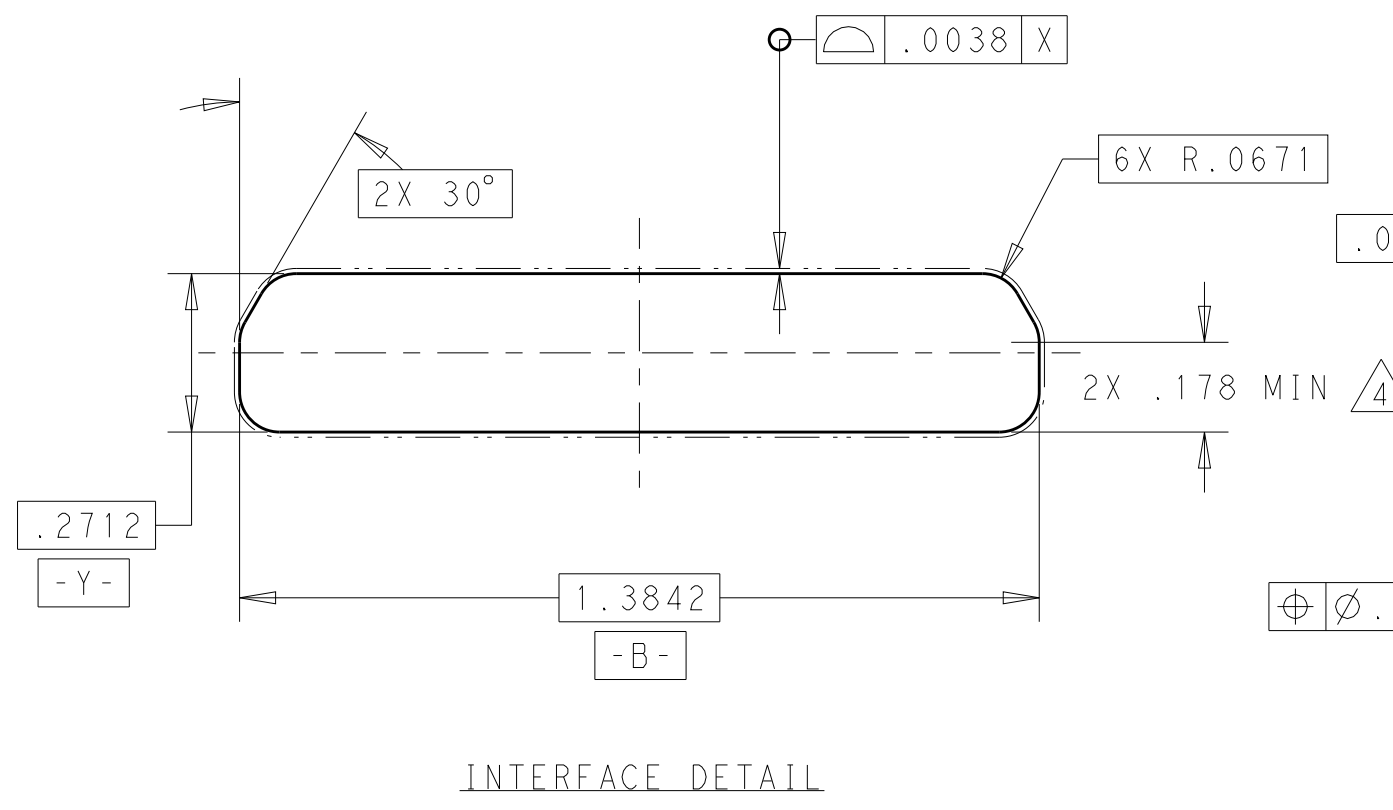


THIS DRAWING IS UNPUBLISHED. RELEASED FOR PUBLICATION 20  
 © COPYRIGHT 20 BY - ALL RIGHTS RESERVED.

REVISIONS				
P	LTR	DESCRIPTION	DATE	APVD
C		UPDATE PER ECO-16-009064	08JUN2016	DS CS



- 1 CONNECTOR SHALL BE MARKED IN ACCORDANCE WITH METHOD 1 OF MIL-STD-1285. MARKING SHALL CONTAIN THE MILITARY PIN, CAGE CODE (OR TE), AND DATE CODE. EXAMPLE: M83513/02-XX TE YYWW (WHERE XX IS PART OF THE PIN SHOWN IN THE "MIL-DTL-83513" COLUMN OF THE PART NUMBER TABLE, AND YYWW IS THE DATE CODE). TEXT HEIGHT SHALL BE .035 INCH MINIMUM.
- 2 POSITION 1 SHALL BE INDICATED BY AN IDENTIFIABLE MARK, LOCATED APPROXIMATELY AS SHOWN ON THE POSITION 1 SIDE OF THE CONNECTOR FLANGE. THIS MARK SHALL BE INCLUDED AS PART OF THE PART MARKING INFORMATION.
- 3 EPOXY ENCAPSULATION. EPOXY MAY WICK .050 INCH MAX FOR SOLDER CUPS.
- 4 THIS DIMENSION IS THE THEORETICAL INTERSECTION OF THE TWO ADJACENT SIDES OF THE INTERFACE.
- 5 ALL DIMENSIONS AND REQUIREMENTS ARE PER MIL-DTL-83513/2.
- 6 CHAMFER ON SOLDER POTS ARE PARALLEL WITH THE SIDE OF CONNECTOR WITHIN 10°.

THIS DRAWING IS A CONTROLLED DOCUMENT.		DWN B ROMANCHUK 03SEP2008	TE Connectivity
DIMENSIONS: IN		CHK M STORRY 03SEP2008	
TOLERANCES UNLESS OTHERWISE SPECIFIED: 0 PLC ± 1 PLC ± 2 PLC ±.010 3 PLC ±.005 4 PLC ± ANGLES ±1° FINISH		APVD M STORRY 03SEP2008	NAME RECEPTACLE ASSEMBLY MICRO-D PER MIL-DTL-83513/02 MCKS SERIES, 100 POSITION
MATERIAL		PRODUCT SPEC	SIZE A2
		APPLICATION SPEC	CAGE CODE 98278
		WEIGHT	DRAWING NO C-1532208
		CUSTOMER DRAWING	RESTRICTED TO
		SCALE 3:1	SHEET 1 OF 2
			REV C

THIS DRAWING IS UNPUBLISHED.      RELEASED FOR PUBLICATION      20  
 © COPYRIGHT 20      BY -      ALL RIGHTS RESERVED.

REVISIONS				
P	LTR	DESCRIPTION	DATE	APVD
		SEE SHEET 1		



TE PART NUMBER	MIL-DTL-83513 PIN	MICRODOT P/N	MCKS DESCRIPTION
1532208-1	M83513/02-HN	094-6926-0000	MCKS-N1-B-100SS
1532208-2	M83513/02-HC	094-6936-0000	MCKS-C2-B-100SS
1532208-3	M83513/02-HP	094-6946-0000	MCKS-P1-B-100SS

THIS DRAWING IS A CONTROLLED DOCUMENT.		DWN B ROMANCHUK	03SEP2008	TE Connectivity	
DIMENSIONS: IN  		CHK -	-		
TOLERANCES UNLESS OTHERWISE SPECIFIED: 0 PLC ±- 1 PLC ±- 2 PLC ±.010 3 PLC ±.005 4 PLC ±- ANGLES ±1° FINISH -		APVD M STORRY	03SEP2008	SIZE A2	CAGE CODE 98278
MATERIAL -		PRODUCT SPEC -	APPLICATION SPEC -	DRAWING NO C-1532208	RESTRICTED TO -
		WEIGHT -	CUSTOMER DRAWING	SCALE 3:1	SHEET 2 OF 2
				REV C	