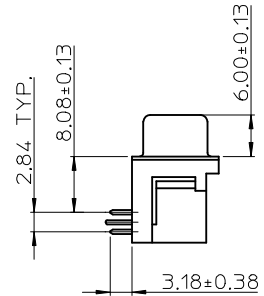
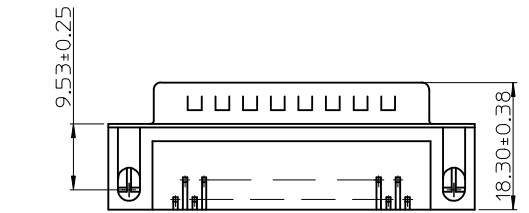
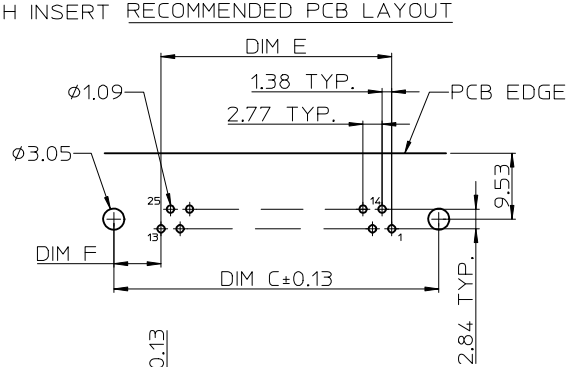
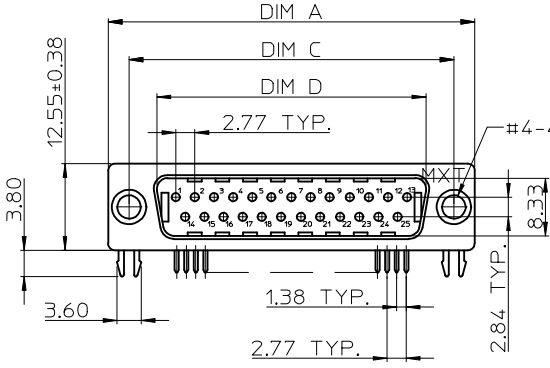


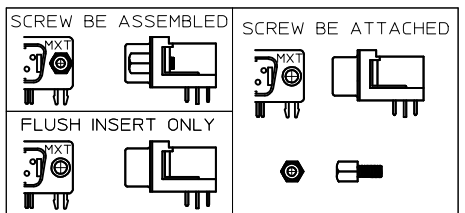
NOTE:  
 1.MATERIAL:  
 HOUSING: POLYESTER GLASS FILLED,UL94-V0,  
 COLOR:BLACK  
 TERMINAL: BRASS  
 METAL SHELL: SPCC  
 BOARD LOCK: BRASS  
 SCREW: BRASS  
 2.PLATING:  
 TERMINAL:  
 CONTACT AREA: SEE PART NUMBER LEGEND  
 SOLDER TAIL: TIN(Sn),THICKNESS=100 MICREINCH MIN/2.54 MICROMETER MIN.  
 UNDER PLATE: NICKEL(Ni),THICKNESS=50 MICROINCH MIN/1.27 MICROMETER MIN.  
 METAL SHELL:TIN(Sn),THICKNESS=100 MICREINCH MIN/2.54 MICROMETER MIN.  
 UNDER PLATE: COPPER(Cu),THICKNESS=50 MICROINCH MIN/1.27 MICROMETER MIN.  
 BOARD LOCK: TIN (Sn),THICKNESS=100 MICREINCH MIN/2.54 MICROMETER MIN.  
 SCREW: NICKEL(Ni),THICKNESS=50 MICROINCH MIN/1.27 MICROMETER MIN.  
 3.RECOMMENDED PCB THICKNESS: 1.60+/-0.05mm  
 4.PRODUCT SPECIFICATION: REFER TO PS-48201-001  
 5.TEST SUMMARY: REFER TO TS-48202-001  
 6.PACKAGING SPECIFICATION: REFER TO PK-48201-001  
 7.LEAD FREE AND ROHS COMPLIANCE PRODUCT



PART NUMBER LEGEND

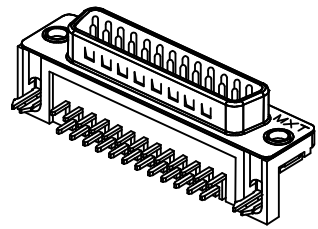
CKT SIZE	PLATING	SCREW OPTION
48202-6	*	*
0:9		1:2 PCS #4-40 ROUND INNER THREAD SCREW RIVETTED
1:15		2:FLUSH INSERT ONLY
3:25		3:2 PCS #4-40 HEX INNER THREAD SCREW ASSEMBLED
4:37		4:2 PCS M2.6 INNER THREAD SCREW ASSEMBLED
		5:2 PCS M3 INNER THREAD SCREW ASSEMBLED
		6:2 PCS #4-40 HEX INNER THREAD SCREW ATTACHED
		7:2 PCS M2.6 INNER THREAD SCREW ATTACHED
		8:2 PCS M3 INNER THREAD SCREW ATTACHED

4:30 MICRO INCH MINIMUM GOLD IN CONTACT AREA  
 5:15 MICRO INCH MINIMUM GOLD IN CONTACT AREA  
 6:GOLD FLASH IN CONTACT AREA

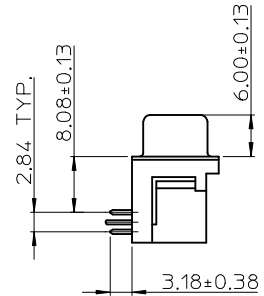
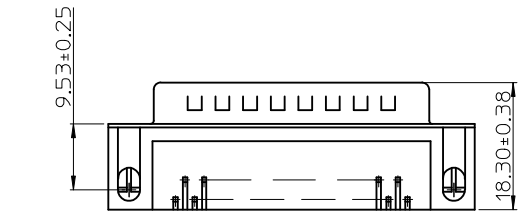
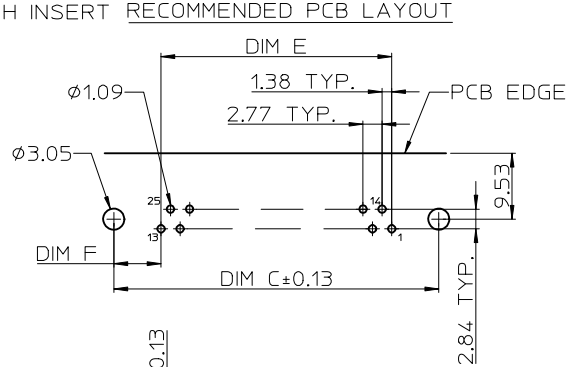
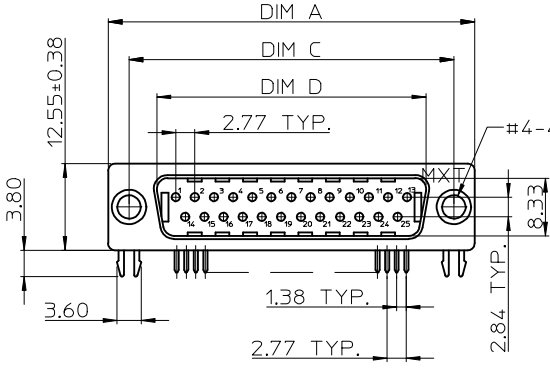


CKT SIZE	DIM A	DIM C	DIM D	DIM E	DIM F
9	30.81	24.99	16.92	11.07	6.96
15	39.14	33.32	25.25	19.38	6.97
25	53.04	47.04	38.96	33.22	6.91
37	69.32	63.50	55.45	49.83	6.84

PER EWR 2007-0013 EC NO: SH2007-0097 DRWN:ALL IN 2006/09/18 CHKD: 2006/09/18 APPR:WMSCHANG 2006/09/18	QUALITY SYMBOLS ▽=0 ▽=0	GENERAL TOLERANCES (UNLESS SPECIFIED)		DIMENSION STYLE MM/IN		SCALE	DESIGN UNITS	THIRD ANGLE PROJECTION
							METRIC	
		4 PLACES ± --- ± --- 3 PLACES ± --- ± --- 2 PLACES ± 0.25 ± --- 1 PLACE ± 0.25 ± --- ANGULAR ± 3 °		DRAWN BY DATE LINDA 2005/04/26 CHECKED BY DATE ALL IN 2005/04/26 APPROVED BY DATE WWSCHANG 2005/04/26		TITLE STANDARD D-SUB MALE TYPE FORK BOARD LOCK		
		DRAFT WHERE APPLICABLE MUST REMAIN WITHIN DIMENSIONS		MATERIAL NO. SEE NOTES		MOLEX INCORPORATED DOCUMENT NO. SD-48202-001		



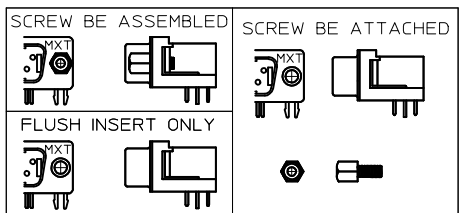
NOTE:  
 1.MATERIAL:  
 HOUSING: POLYESTER GLASS FILLED,UL94-V0,  
 COLOR:BLACK  
 TERMINAL: BRASS  
 METAL SHELL: SPCC  
 BOARD LOCK: BRASS  
 SCREW: BRASS  
 2.PLATING:  
 TERMINAL:  
 CONTACT AREA: SEE PART NUMBER LEGEND  
 SOLDER TAIL: TIN(Sn),THICKNESS=100 MICREINCH MIN/2.54 MICROMETER MIN.  
 UNDER PLATE: NICKEL(Ni),THICKNESS=50 MICROINCH MIN/1.27 MICROMETER MIN.  
 METAL SHELL:TIN(Sn),THICKNESS=100 MICREINCH MIN/2.54 MICROMETER MIN.  
 UNDER PLATE: COPPER(Cu),THICKNESS=50 MICROINCH MIN/1.27 MICROMETER MIN.  
 BOARD LOCK: TIN (Sn),THICKNESS=100 MICREINCH MIN/2.54 MICROMETER MIN.  
 SCREW: NICKEL(Ni),THICKNESS=50 MICROINCH MIN/1.27 MICROMETER MIN.  
 3.RECOMMENDED PCB THICKNESS: 1.60+/-0.05mm  
 4.PRODUCT SPECIFICATION: REFER TO PS-48201-001  
 5.TEST SUMMARY: REFER TO TS-48202-001  
 6.PACKAGING SPECIFICATION: REFER TO PK-48201-001  
 7.LEAD FREE AND ROHS COMPLIANCE PRODUCT



PART NUMBER LEGEND

CKT SIZE	PLATING	SCREW OPTION
48202-6	*	*
0:9		1:2 PCS #4-40 ROUND INNER THREAD SCREW RIVETTED
1:15		2:FLUSH INSERT ONLY
3:25		3:2 PCS #4-40 HEX INNER THREAD SCREW ASSEMBLED
4:37		4:2 PCS M2.6 INNER THREAD SCREW ASSEMBLED
		5:2 PCS M3 INNER THREAD SCREW ASSEMBLED
		6:2 PCS #4-40 HEX INNER THREAD SCREW ATTACHED
		7:2 PCS M2.6 INNER THREAD SCREW ATTACHED
		8:2 PCS M3 INNER THREAD SCREW ATTACHED

4:30 MICRO INCH MINIMUM GOLD IN CONTACT AREA  
 5:15 MICRO INCH MINIMUM GOLD IN CONTACT AREA  
 6:GOLD FLASH IN CONTACT AREA



CKT SIZE	DIM A	DIM C	DIM D	DIM E	DIM F
9	30.81	24.99	16.92	11.07	6.96
15	39.14	33.32	25.25	19.38	6.97
25	53.04	47.04	38.96	33.22	6.91
37	69.32	63.50	55.45	49.83	6.84

PER EWR 2007-0013 EC NO: SH2007-0097 DRWN:ALL IN 2006/09/18 CHKD: 2006/09/18 APPR:WMSCHANG 2006/09/18	QUALITY SYMBOLS ▽=0 ▽=0	GENERAL TOLERANCES (UNLESS SPECIFIED)		DIMENSION STYLE MM/IN		SCALE	DESIGN UNITS	THIRD ANGLE PROJECTION
							METRIC	
		4 PLACES ± --- ± --- 3 PLACES ± --- ± --- 2 PLACES ± 0.25 ± --- 1 PLACE ± 0.25 ± ---		DRAWN BY DATE LINDA 2005/04/26		TITLE STANDARD D-SUB MALE TYPE FORK BOARD LOCK		
		ANGULAR ± 3 °		CHECKED BY DATE ALL IN 2005/04/26		APPROVED BY DATE WWSCHANG 2005/04/26		
DRAFT WHERE APPLICABLE MUST REMAIN WITHIN DIMENSIONS		MATERIAL NO. SEE NOTES		MOLEX INCORPORATED		DOCUMENT NO.	SHEET NO.	
		SIZE A3		THIS DRAWING CONTAINS INFORMATION THAT IS PROPRIETARY TO MOLEX INCORPORATED AND SHOULD NOT BE USED WITHOUT WRITTEN PERMISSION		SD-48202-001	1 OF 1	