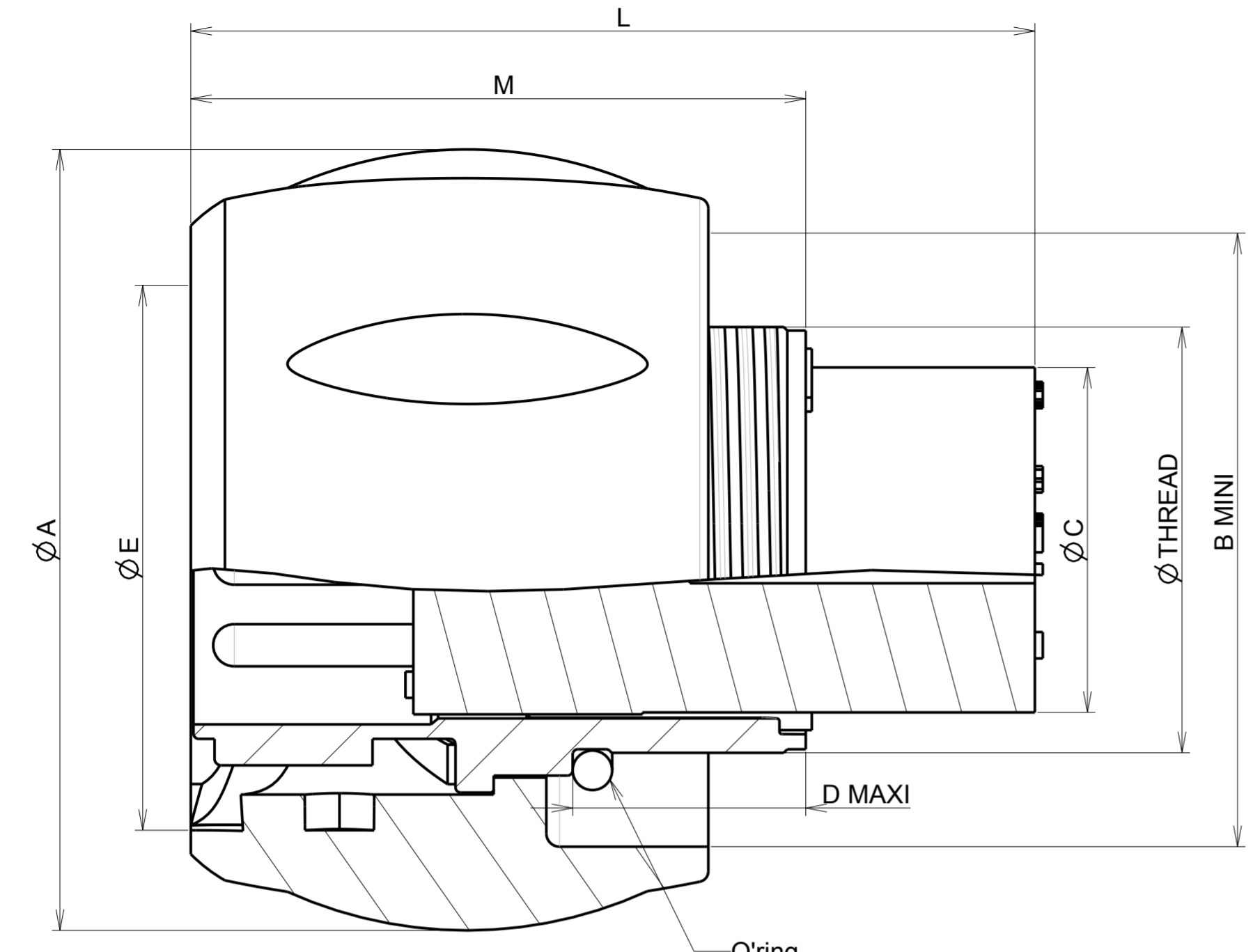


b : 1 : RL



MATERIAL :

Coupling Nut: Polyamid UL94 V-0
 Inset: Polyamid UL94 V0
 Shell : Polyamid UL94 V-0
 Coupling spring : Stainless steel
 O'seal : Nitril

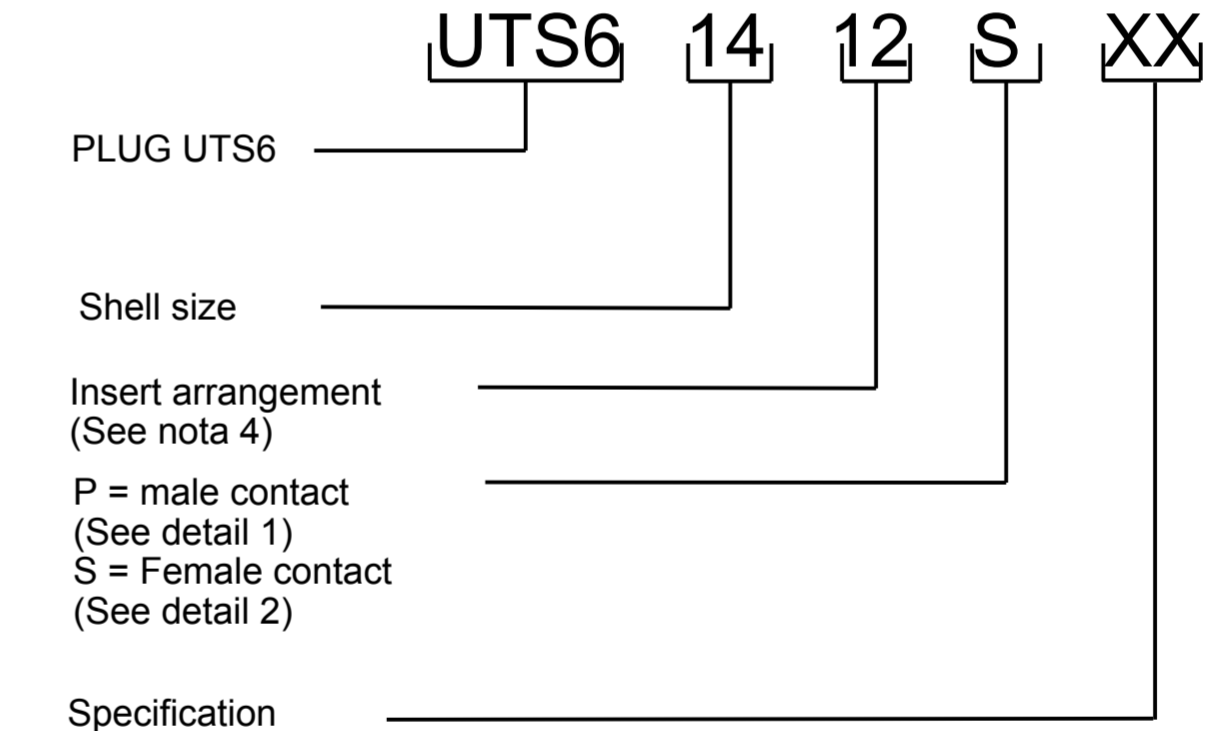
PERFORMANCE CHARACTERISTICS :

Operating temperature: -40°C up to 105°C
 Insulation resistance: 5000 MΩ min
 Test potential: 2000 Vrms for #16 layout and 1500Vrms for #20 layout
 Corrosion salt spray: 500 hours
 Durability: 250 matings and unmatings
 Sealing in mated conditions:
 -IP68 1 bar during 1 week : immersion under 10 m of water.
 (IEC 60529)
 -IP69K : exposure to high pressure water of cleaning
 equipement (DIN 40050)

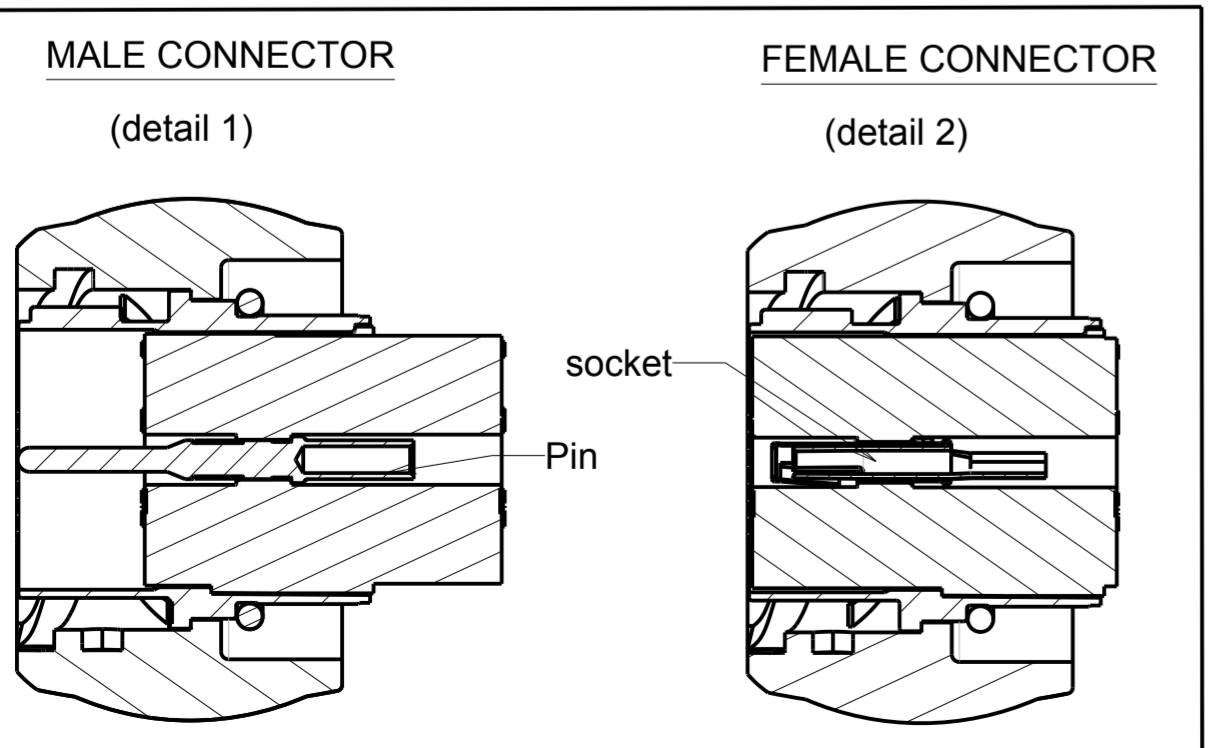
NOTES :

- 1-Contact to be ordered separately : refer to TRIM TRIO catalog
- 2-Insert arrangements: refer to : C007-UTS1-A (Female insulator)
 UTO-CONTACT-L-C02 (Female insulator)
 UTOW-CONTACT-L-C02 (Female insulator)

 C008-UTS1-A (Male insulator)
 UTO-CONTACT-L-C01 (Male insulator)
 UTOW-CONTACT-L-C01 (Male insulator)



SHELL SIZE	LAYOUT	ØA	L MAX		M MINI	ØC	THREAD	Ø B MINI	D MAXI	ØE
			MALE	FEMELLE						
10	SEE NOTE 2	26.20	33	25.30	23.35	10.1	9/16-24 UNEF CLASS 2A	20.4	8.1	15.65
12	SEE NOTE 2	29.70	33	25.30	23.35	13.1	11/16-24 UNEF CLASS 2A	23.1	8.9	19.3
14	SEE NOTE 2	34.60	33	25.30	23.35	16.4	13/16-20 UNEF CLASS 2A	26.20	8.9	22.5
18	SEE NOTE 2	42	33	25.30	23.35	21.65	1/16-18 UNEF CLASS 2A	33.30	8.9	29



CUSTOMER DRAWING

b	16/02/2011	New drawing adding of size 18		MOD N°
ISS	DATE	Latest modification - by: J.Feurprier		
Designed by: RAGAINEM		Date: 12/06/2011	CUSTOMER DRAWING	
TITLE		UTS PLUG WITHOUT BACKSHELL UTS CONNECTOR		
Scale	2/1	General linear Tolerances: ± 0.2	NPRDS / PROJECT UTS	
		WWW.SOURIAU.COM		This document is the property of SOURIAU. It must not be reproduced or communicated without permission.
FORMAT	A2	SOURIAU DRG N° C029-UTS1-A		SHEET 1/1

NOT EXPORT CONTROLLED