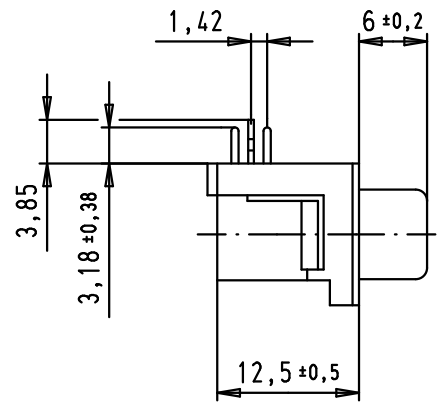
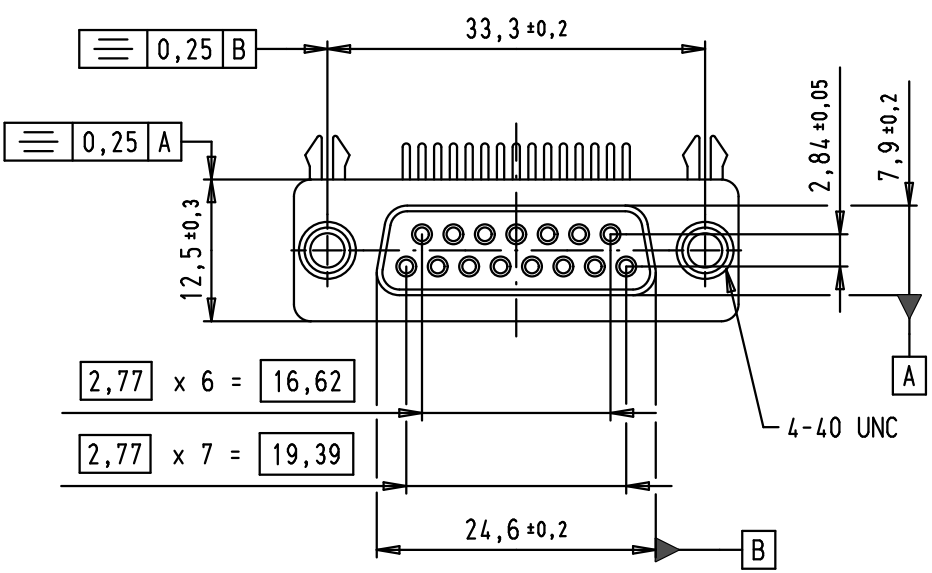


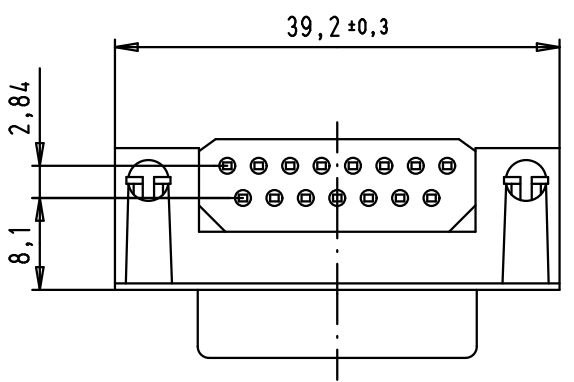
5 4 3 2 1



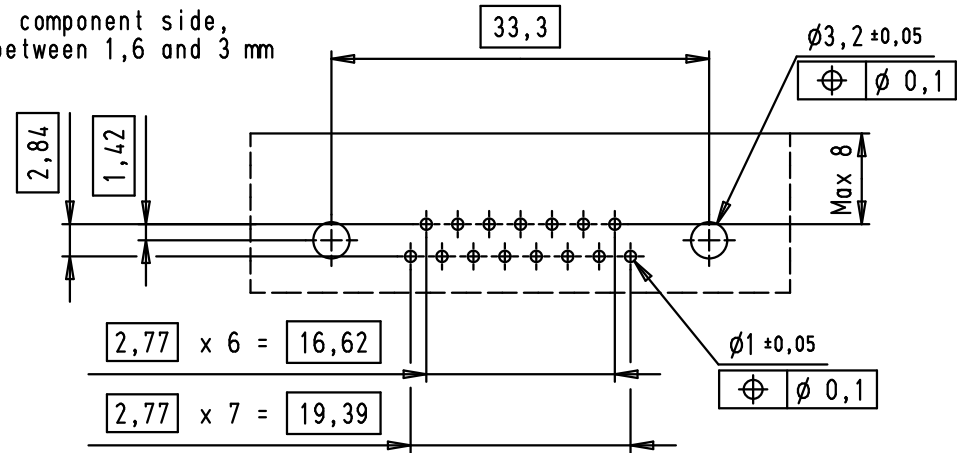
SPECIFICATIONS

FREQUENCY (MHz)	ATTENUATION (dB)
5	1
10	2
50	4
100	4,5
500	4,5
1000	4,5

Operating voltage < 250 V AC  
 Working current < 7,5 A  
 Insulation resistance > 10Ω  
 Contact resistance < 15 mΩ  
 Dielectric withstanding voltage 500 V AC / minute



PCB layout, component side, thickness between 1,6 and 3 mm



A

			Dot.	Name	<p>All Dim. in mm Orig. Size DIN A 4</p>	
			Detail.	02/07/09 PK		
			Insp.			
			Stand.			
EC02296	06/09/10	SC	HARTING EURL F-95972 Paris			
EC00362	02/07/09	PK	Mod.	Dot.		Name

D-Sub, female, angled, US footprint, 15 poles, tin plated shell, solder pins, ferrite filter

Maßstab/Scale 1,5:1

Blatt/Page 1/1

Sub. TB 09 64 213 7802

09 64 213 7802	PL3
Part number	Performance level