

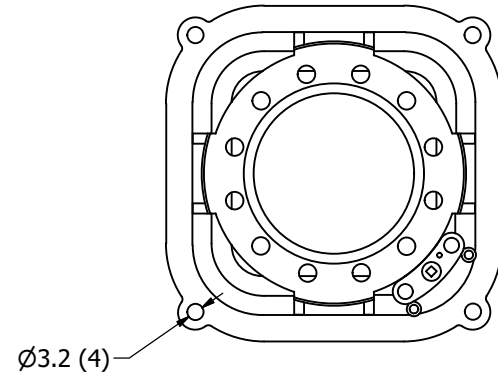
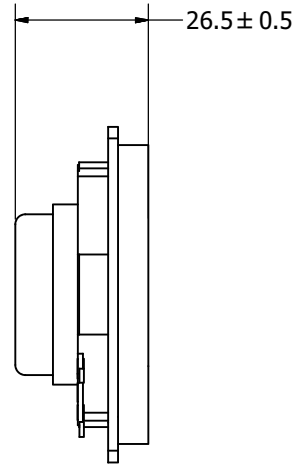
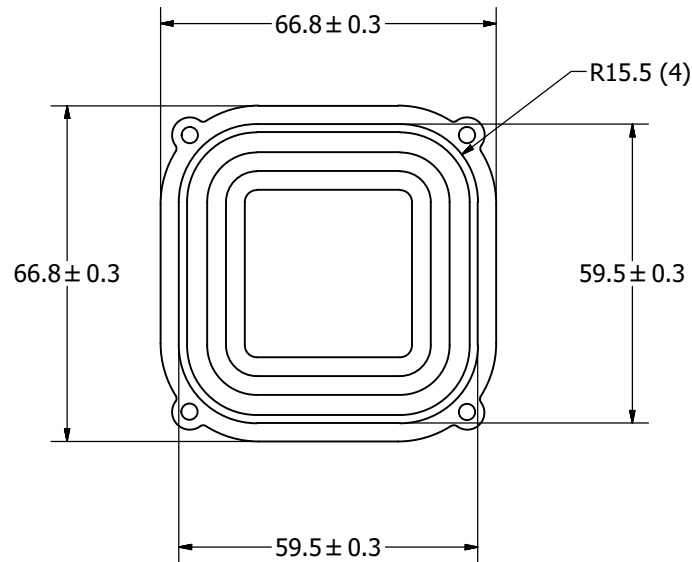
SPECIFICATIONS

PARAMETERS	VALUES	UNITS
RATED INPUT POWER	10	W
MAX INPUT POWER	15	W
IMPEDANCE	8± 15%	OHM
OUTPUT SPL @ 1W/0.1M (AT 110, 1,000, and 6,000 Hz)	99± 3	dB
RESONANT FREQUENCY	160± 20%	Hz
FREQUENCY RANGE	Fo~ 18,000	Hz
HOUSING MATERIAL	ABS	-
CONE MATERIAL	PAPER	-
MAGNET MATERIAL	NdFeB	-
OPERATING TEMPERATURE	-20~ +60	°C
WEIGHT	85	grams

THIS DOCUMENT CONTAINS DATA PROPRIETARY TO PROJECTS UNLIMITED, INC. ANY USE OR REPRODUCTION, IN ANY FORM, WITHOUT PRIOR WRITTEN PERMISSION OF PROJECTS UNLIMITED, INC. IS PROHIBITED.
©2003, Projects Unlimited Inc.

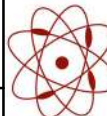
REVISION HISTORY

LTR	DESCRIPTION	DATE	APPROVED
-	RELEASED FROM ENGINEERING	5/19/2016	



NOTES:

1. ALL DIMENSIONS ARE IN MILLIMETERS.
2. SPECIFICATIONS SUBJECT TO CHANGE OR WITHDRAWAL WITHOUT NOTICE.
3. THIS PART IS RoHS 2011/65/EU COMPLIANT.

UNLESS OTHERWISE SPECIFIED: DIMENSIONS ARE IN MILLIMETERS, TOLERANCES ARE ±0.5 AND ANGLES ARE ±3°.	SIZE A3	Designed by	Date	Checked by	Date	Approved by	Date	Drawn Date
		M.V.	5/19/2016	M.V.	5/19/2016	B.R.	5/19/2016	5/19/2016
		AS06008PS-R.idw		 pui audio a projects unlimited company		AS06008PS-R Speaker		Edition
						-	1 / 1	

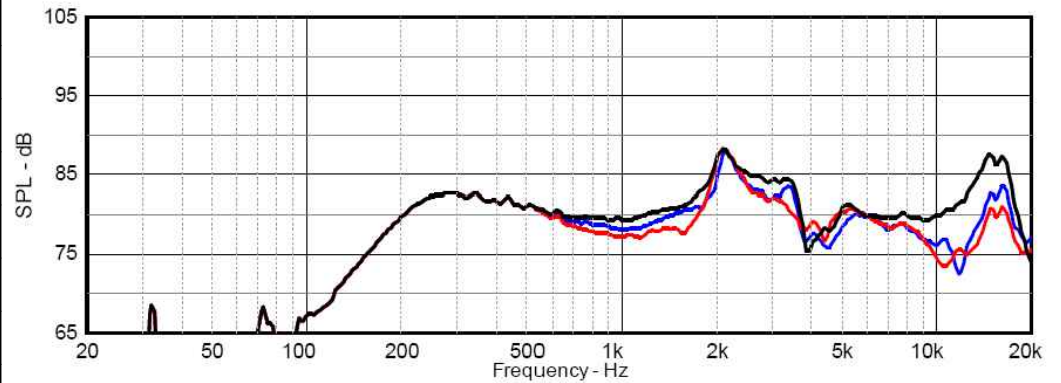
THIS DOCUMENT CONTAINS DATA PROPRIETARY TO PROJECTS UNLIMITED, INC. ANY USE OR REPRODUCTION, IN ANY FORM, WITHOUT PRIOR WRITTEN PERMISSION OF PROJECTS UNLIMITED, INC. IS PROHIBITED.
© 2005, Projects Unlimited Inc.

THIELE/SMALL PARAMETERS

PARAMETERS	VALUES
DC RESISTANCE (Re)	8.65 OHMS
INDUCTANCE (Le) @ 1kHz	0.36 mH
MAXIMUM IMPEDANCE (Zm)	24.7 OHMS
MECHANICAL Q FACTOR (Qms)	3.35
ELECTRICAL Q FACTOR (Qes)	1.80
TOTAL Q FACTOR (Qts)	1.17
EQUIVALENT AIR VOLUME (Vas)	0.06 LITERS
VOICE COIL DIAMETER	25.4 mm
XMAX ((VOICE COIL HEIGHT - GAP)/2)	EVEN HUNG
XMECH (MAXIMUM EXCURSION BEFORE DAMAGE)	4 mm
RECOMMENDED SEALED ENCLOSURE VOLUME RANGE	0.1~0.6 LITERS
RECOMMENDED PORTED VOLUME AND TUNING FREQUENCY FOR FLAT RESPONSE AND LOWEST FREQUENCY EXTENSION	0.7L, 130 Hz (-3 dB) 110 Hz



REVISIONS			
LTR	DESCRIPTION	DATE	APPROVED
-	RELEASED FROM ENGINEERING	5/19/16	



Black is on-axis Blue is 45° off-axis Red is 90° off-axis

- Unique design produces superior off-axis response for great coverage
- Even-hung motor design with high-energy magnet reduces distortion
- Flat design for an overall height that is less than 26mm
- Dual spiders for extreme power handling

<small>UNLESS OTHERWISE SPECIFIED: ALL PURCHASES ARE SUBJECT TO THE PUI AUDIO TERMS AND CONDITIONS SALE FOUND AT http://www.puiaudio.com/pdf/terms_conditions.pdf (paper copy available upon request). DIMENSIONS ARE IN MILLIMETERS, TOLERANCES ARE ±0.5 AND ANGLES ARE ±3°.</small>			3541 Stop Eight Road Dayton, Ohio 45414								
<table border="1"> <thead> <tr> <th>APPROVALS</th> <th>DATE</th> </tr> </thead> <tbody> <tr> <td>DRAWN <i>M. V.</i></td> <td>5/16</td> </tr> <tr> <td>CHECKED <i>M. V.</i></td> <td>5/16</td> </tr> <tr> <td>APPROVED <i>B. R.</i></td> <td>5/16</td> </tr> </tbody> </table>				APPROVALS	DATE	DRAWN <i>M. V.</i>	5/16	CHECKED <i>M. V.</i>	5/16	APPROVED <i>B. R.</i>	5/16
APPROVALS	DATE										
DRAWN <i>M. V.</i>	5/16										
CHECKED <i>M. V.</i>	5/16										
APPROVED <i>B. R.</i>	5/16										
		<table border="1"> <tr> <td>SIZE</td> <td>DRAWING NO.</td> </tr> <tr> <td>A</td> <td>AS06008PS-R TS PARAMETERS</td> </tr> </table>	SIZE	DRAWING NO.	A	AS06008PS-R TS PARAMETERS	SCALE: N.T.S. SHEET 1 OF 1				
SIZE	DRAWING NO.										
A	AS06008PS-R TS PARAMETERS										