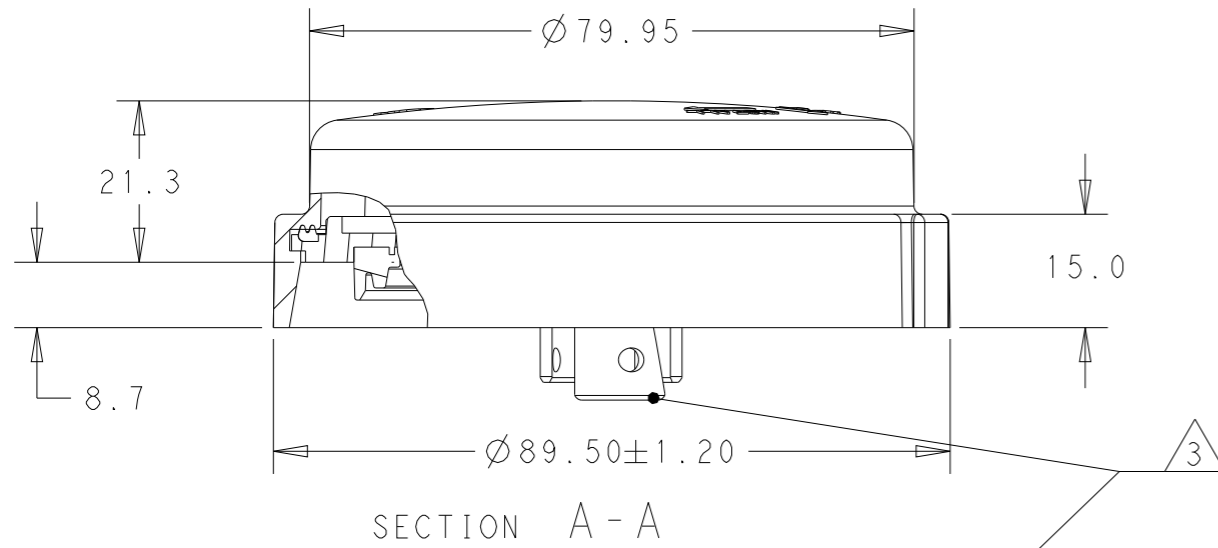
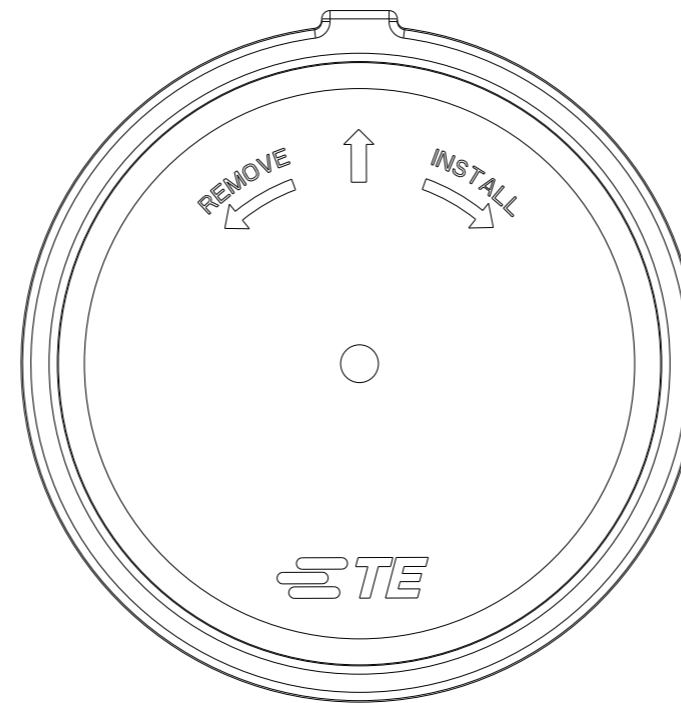
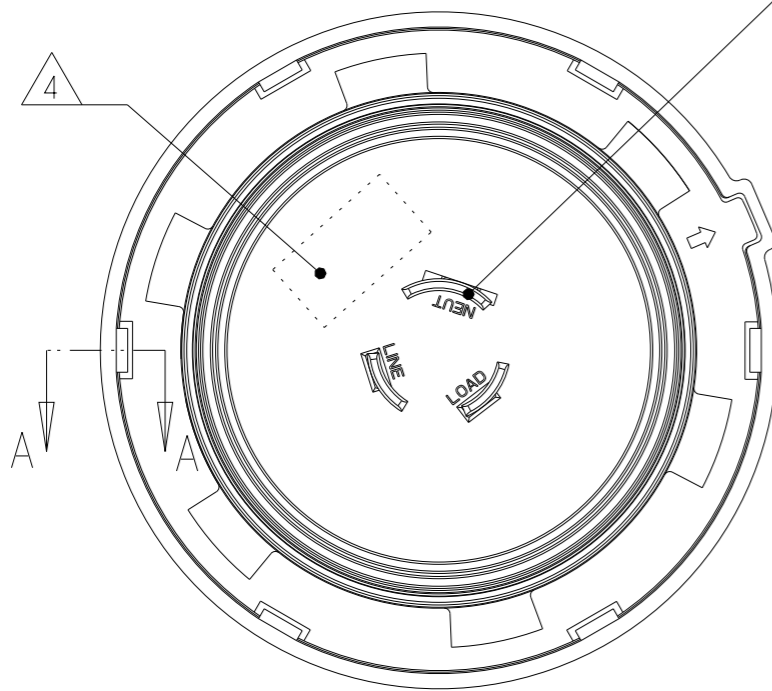


P	LTR	DESCRIPTION	DATE	DWN	APVD
	A	RELEASE FOR ECR-21-117819	19OCT2021	SD	MM



- 1 MATERIALS:
HOUSING: PBT
LINE VOLTAGE CONTACTS: COPPER ALLOY
SHORTING CLIP: COPPER ALLOY
GASKET: TPE
COVER: PC, UL UV-f1 RATED
- 2 FINISH:
LINE VOLTAGE CONTACTS: MATTE TIN PLATE
- 3 MATING INTERFACE PER ANSI C136.10.
- 4 PRODUCT INFORMATION LABEL



TOP VIEW REFERENCE

DESCRIPTION	PART NO.
SHORT ASSEMBLY LIGHT CONTROL, 2ND GEN - SHORTED; BLACK; CONTACTS SEALED	1-2361116-1
SHORT ASSEMBLY LIGHT CONTROL, 2ND GEN - OPEN; RED	2361116-2
SHORT ASSEMBLY LIGHT CONTROL, 2ND GEN - SHORTED; BLACK	2361116-1

2361116-1 SHOWN

THIS DRAWING IS A CONTROLLED DOCUMENT.		DWN S DAULE	19OCT2021	TE Connectivity	
		CHK M MOSTOLLER	19OCT2021		
DIMENSIONS: mm		TOLERANCES UNLESS OTHERWISE SPECIFIED:		NAME ASSEMBLY, SHORTING CAP LUMAWISE ENDURANCE N+	
		0 PLC	±-	PRODUCT SPEC 108-32606	
		1 PLC	±0.5	APPLICATION SPEC 114-32363	
		2 PLC	±0.25	WEIGHT -	
		3 PLC	±-	SIZE A3	
		4 PLC	±-	CAGE CODE 00779	
		ANGLES	±-	DRAWING NO C-2361116	
MATERIAL		FINISH		RESTRICTED TO	
1		2		SCALE 1:1	
CUSTOMER DRAWING				SHEET 1 OF 1	
				REV A	