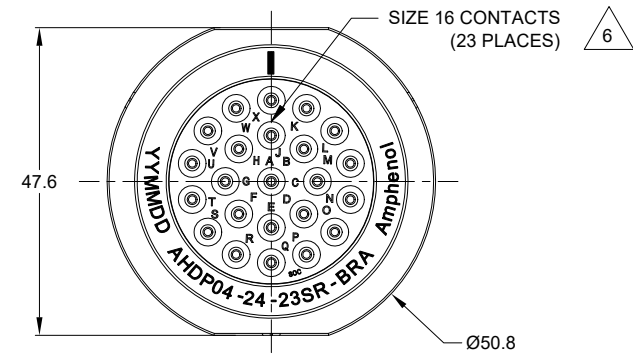
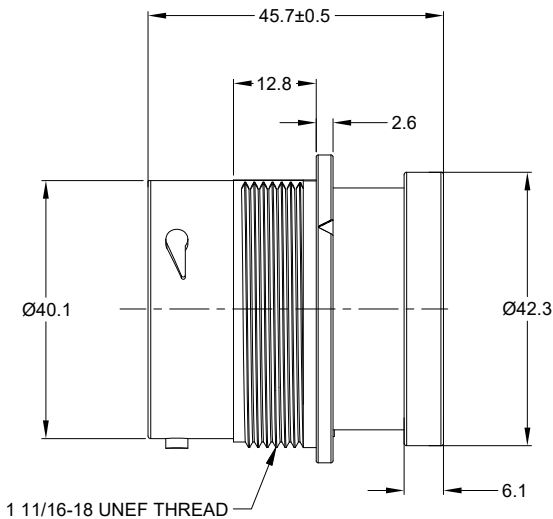
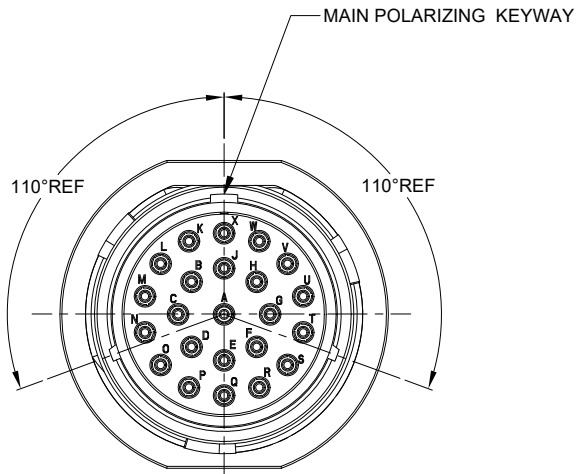


| REVISIONS |     |                     |           |      |       |
|-----------|-----|---------------------|-----------|------|-------|
| REV       | ECO | DESCRIPTION         | DATE      | BY   | APPR  |
| A1        | --  | RELEASE NEW DRAWING | 01/MAR/22 | VITO | TOMMY |



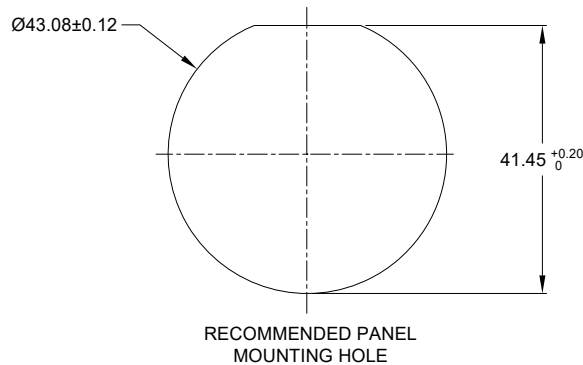
NOTES: UNLESS OTHERWISE SPECIFIED

- MATERIAL:  
HOUSING: THERMOPLASTIC; BLACK  
SEAL: SILICONE RUBBER
- MODIFICATIONS: BACKSHELL RING ADAPTER (BRA);  
REDUCED DIA. WIRE SEAL
- SPECIFICATIONS:  
3.1 OPERATING TEMPERATURE: -55°C TO +125°C.  
3.2 DIELECTRIC WITHSTANDING VOLTAGE: LESS THAN 2 MILLIAMPS CURRENT LEAKAGE @ 1500 VOLTS AC.  
3.3 INSULATION RESISTANCE: 1000 MEGOHM MIN @ 25°C.  
3.4 MOISTURE RESISTANCE:  
IP68(IM OF WATER FOR A PERIOD OF 24 HOURS,MATED CONDITION);  
IP69K (MATED CONDITION)  
3.5 MATING CYCLE DURABILITY: 100 CYCLES  
3.6 RoHS COMPLIANT
- MATING PART: AHDP06-24-23P\* (\* = SEAL TYPE)
- ALL DIMENSIONS ARE FOR REFERENCE USE ONLY.

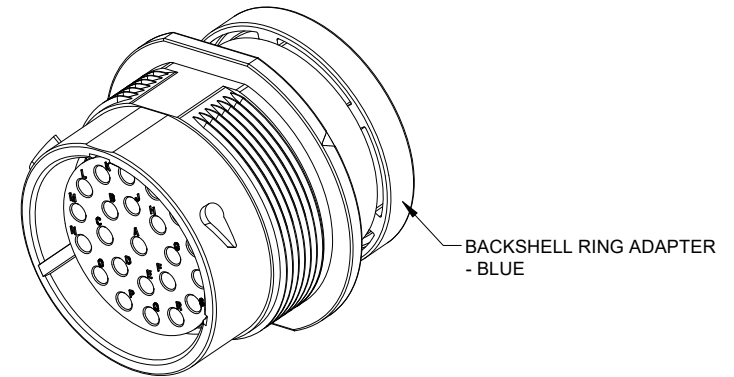
6 CONTACT SIZE AND WIRE RANGE:

| CONTACT SIZE | MIN. INSUL O.D.  | MAX. INSUL O.D.   | TYPICAL WIRE RANGE                  | CURRENT RATING |
|--------------|------------------|-------------------|-------------------------------------|----------------|
| 16           | 1.35 mm (.053in) | 3.05 mm (.120 in) | 14-20 AWG (2.0-0.5mm <sup>2</sup> ) | 13 AMPS        |

7. RECEPTACLE IS SUPPLIED WITH DUST CAP.



RECOMMENDED PANEL MOUNTING HOLE  
RECOMMENDED PANEL THICKNESS: 1.6 TO 4.7MM



| QUANTITY   | AHDP04-24-23SR-BRA | REF:HDP24-24-23SE-L017   | ITEM |
|--|--------------------|--|------|
|  | PART NUMBER        | DESCRIPTION  |      |
| <b>MATERIALS LIST</b>  |                    |  |      |
| <b>UNLESS OTHERWISE SPECIFIED</b><br>1) All dimensions are in metric(mm).<br>2) Tolerances are as follows:<br>1 PL DEC ±0.30 Fractions ±1/64<br>2 PL DEC ±0.15 Angles ±1°<br>3 PL DEC ±0.08<br>3) Note reference = |                    | <b>SIGNATURES DATE</b><br>DRAWN: <b>IANXIAO</b> 01/MAR/22<br>CHECKED: <b>SULLENZHANG</b> 02/MAR/22<br>ENGINEER:<br>APPROVAL: <b>TOMMYXIE</b> 03AUG20   |      |
| <b>MATERIAL SPECIFICATIONS:</b><br>WEIGHT: 58.2g   |                    | <b>CUSTOMER:</b><br>THIS DRAWING IS SUPPLIED FOR INFORMATION ONLY. DESIGN FEATURES, SPECIFICATIONS AND PERFORMANCE DATA SHOWN HEREON ARE THE PROPERTY OF THE AMPHENOL CORPORATION. NO RIGHTS OF REPRODUCTION ARE IMPLIED. ALL DIMENSIONS ARE SUBJECT TO NORMAL MANUFACTURING VARIATIONS. |      |
| <b>PROCESS SPECIFICATIONS:</b><br>NEXT ASSY:   |                    | <b>SIZE TYPE DWG NO:</b><br><b>B C-</b> AHDP04-24-23SR-BRA <b>A1</b><br>SCALE: NONE DURAMATE SHEET 1 OF 1  |      |

TITLE: 23POS. RECEPTACLE SOCKET, SIZE 24, RD SEAL, BRA, DURAMATE AHDP DWG NO: AHDP04-24-23SR-BRA REV: A1 SH: 1 OF: 1