

PART NAME: KNOB

SCALE: 1:1

DATE: 2/9/93

DR. BY: HD



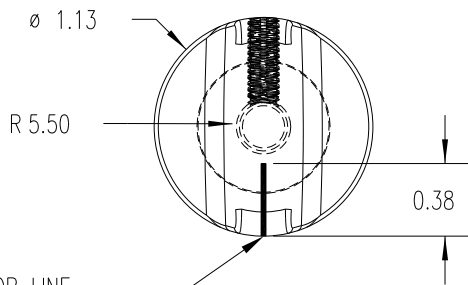
DESIGNERS & MANUFACTURERS  
OF KNOBS, HANDLES, CAPSULES &  
CUSTOM PLASTIC COMPONENTS

P/N 1500AU

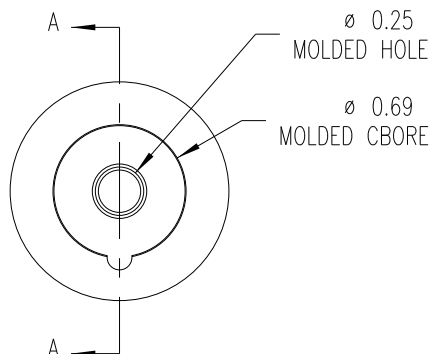
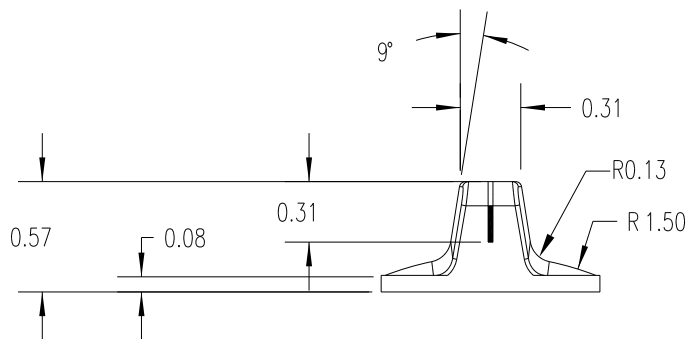
BASE PART 1500-01

SET SCREW I0022

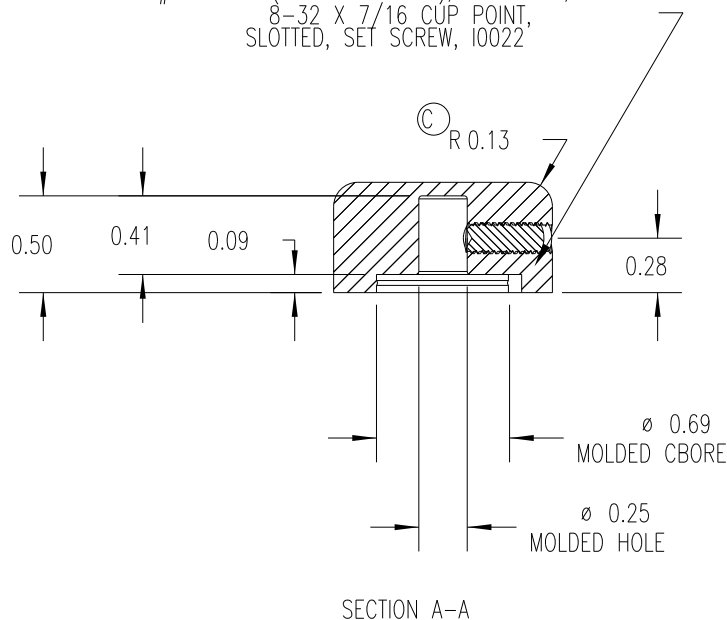
THIS DRAWING IS THE PROPERTY OF DAVIES MOLDING COMPANY, IS SUBMITTED SOLELY AS A DESIGN OR ENGINEERING PROJECT.  
WE ACCEPT NO RESPONSIBILITY WHATSOEVER FOR THE PRACTICAL APPLICATION OF THE PIECES MADE TO THIS DESIGN.



(B) INDICATOR LINE  
PAD PRINTED IN WHITE



USE #28 DRILL (  $\phi 0.140$ ), 8-32 TAP,  
8-32 X 7/16 CUP POINT,  
SLOTTED, SET SCREW, I0022



MATERIAL: G.P. PHENOLIC (B11)  
COLOR: BLACK

(A)

TOLERANCES: UNLESS OTHERWISE SPECIFIED	DO NOT SCALE DRAWING	C	WAS R0.06, REDRAW	JAM	2/6/08
		B	DELETED "FILLED" FROM NOTE	RF	7/31/02
DECIMALS: X.XXX ± .005 X.XX ± .015	MM: X.XX ± 0.15MM X.X ± 0.4MM	-	UPDATED/HAD TOOLBOX	ST	4/25/01
		A	ADDED NEW TOOL BLOCK	HD	2/24/98
FRACTIONS ± 1/64	ANG. ± 1°	CHANGES			