

**EXAMPLE FOR CABLE PRINTING:**  
 Molex Connectivity GmbH [15mm] Material-No. from table 1 [8mm] Prod.Date [8mm] Cable length

**DESCRIPTION:**  
 M12 HYBRID CORDSET APPLICATIONS  
 TRANSMISSION AFTER CAT5e (SIGNAL CONTACTS ONLY)  
 SPECIAL CODING

**ELECTRICAL DATA:**  
 SIGNAL: 4 POLES  
 MAX. VOLTAGE: 30V  
 MAX. CURRENT: 1.5A at 55°C  
 CONTACT RESISTANCE: <5 mOhm  
 INSULATION WITHSTAND: >100 MOhm  
 IMPEDANCE: 100 Ohm  
 HF PERFORMANCE TESTINGS: LIMITS CLASS D/CAT5e,  
 ACCORDING ISO IEC 11801/TIA-568-C.2 "PERMANENT LINK"

**POWER:**  
 MAX. VOLTAGE: 30V  
 MAX. CURRENT: 6A at 55°C  
 CONTACT RESISTANCE: <5 mOhm  
 INSULATION WITHSTAND: >100 MOhm

**ENVIROMENTAL:**  
 PROTECTION: IP67  
 TEMPERATURE RANGE: -25°C to 75°C

**PACKAGING:**  
 THE CORDSET IS PACKED AND SHIPPED OUT IN A CARDBOARD BOX

- 1 - POWER 0V
- 2 - POWER 0V Last
- 3 - POWER 24V Last
- 4 - POWER 24V
- 5 - SIGNAL TX+
- 6 - SIGNAL RX-
- 7 - SIGNAL TX-
- 8 - SIGNAL RX+
- SHIELDING / GND

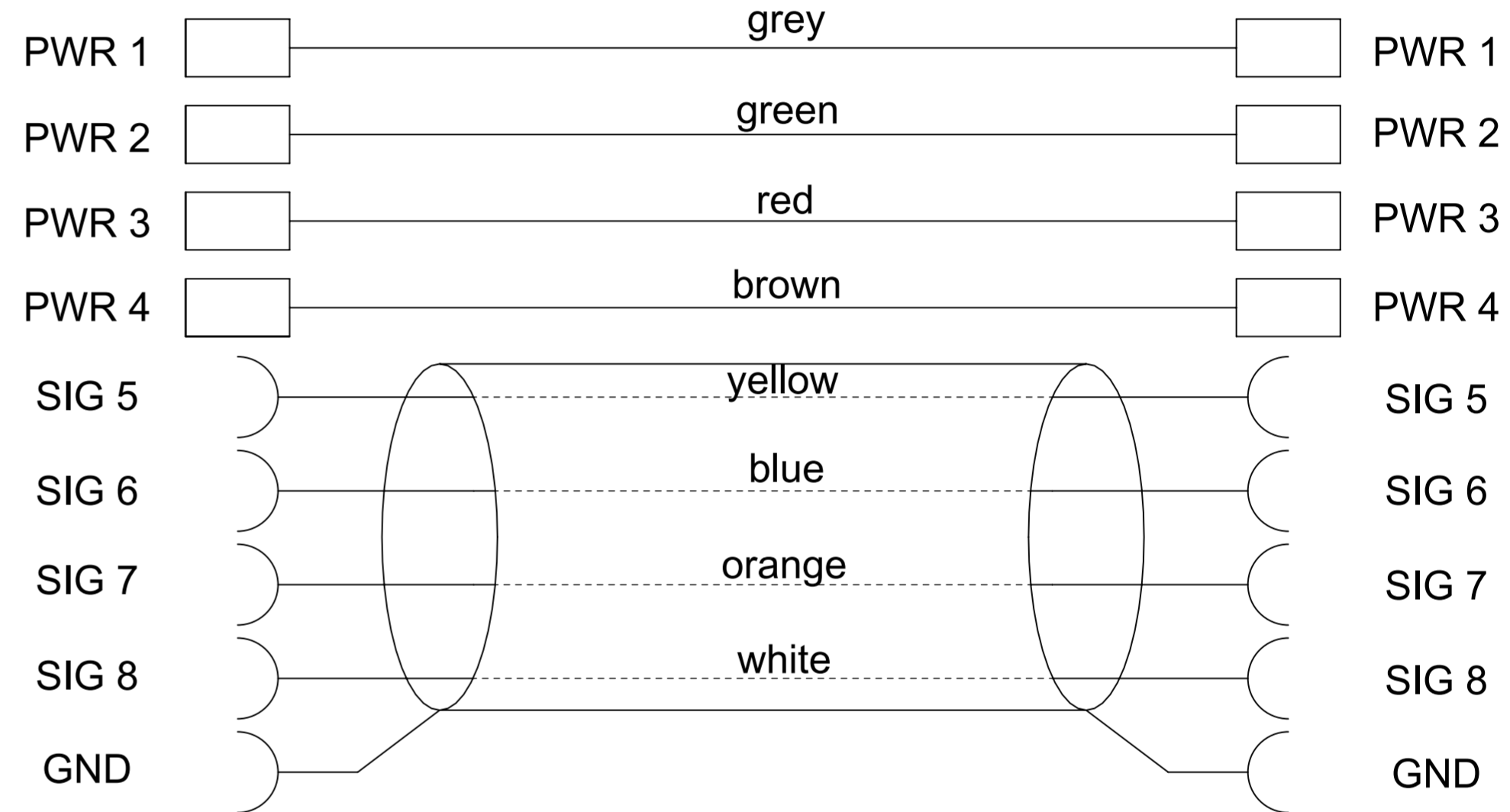
CUSTOMER PRODUCT APPROVAL

APPROVED BY: \_\_\_\_\_

DATE: \_\_\_\_\_

MUST BE SIGNED AND RETURNED BEFORE PRODUCTION WILL BEGIN

**WIRING DIAGRAM, CONNECTION: INLINE**

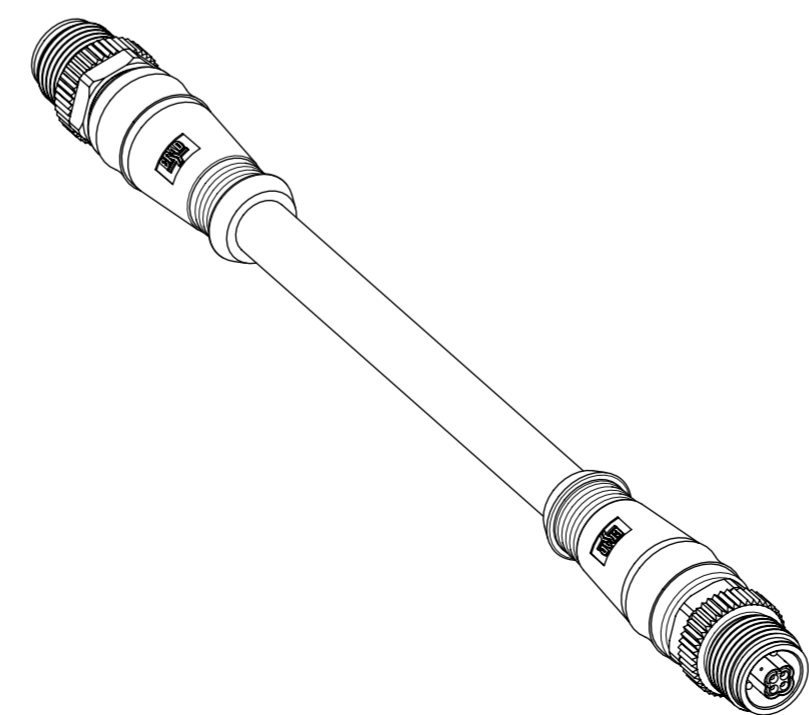


**TABLE 1**

MOLEX P/N	Description	Length / mm	Tolerance
1202440200	CSE M12 CHT 8P 4+4P MAFE STR PUR 0,25M DE	250	±10
1202440201	CSE M12 CHT 8P 4+4P MAFE STR PUR 0,5M DE	500	±10
1202440202	CSE M12 CHT 8P 4+4P MAFE STR PUR 1M DE	1000	+30/-10
1202440203	CSE M12 CHT 8P 4+4P MAFE STR PUR 1,5M DE	1500	±25
1202440204	CSE M12 CHT 8P 4+4P MAFE STR PUR 2M DE	2000	±25
1202440205	CSE M12 CHT 8P 4+4P MAFE STR PUR 5M DE	5000	±25
1202440206	CSE M12 CHT 8P 4+4P MAFE STR PUR 8M DE	8000	±30
1202440207	CSE M12 CHT 8P 4+4P MAFE STR PUR 10M DE	10000	±30
1202440208	CSE M12 CHT 8P 4+4P MAFE STR PUR 15M DE	15000	±30

**BOM**

Quantity	Descriptions
2	INSERT M12 MA 8P 0C CSE PUR BK SHLD
2	INSERT M12 FE 4P 0C CSE NIL BK SHLD
8	CONTACT 6 FE TUR NI CR WRA 0.14-0.25
8	CONTACT M12 MA NI2AU0.8 F075
2	SHELL M12 FE BRASS NI REC M12
2	SHELL M12 FE BRASS NI REC M12
2	SHELL M12 MF PP L6,5 CORDSET M12
2	NUT M12 BRASS NI MA HEX
1	CABLE 4AWG19+2X2XAWG26 PUR GY D8 UL SH DYN
2	Overmolding UL M12 straight-9.2mm
2	Copper tape tinned 10x20mm / PAGE 3 / DETAIL R



FUNCTIONAL SYMBOLS FA=0 FC=1 FP=0	THIS DRAWING CONTAINS INFORMATION THAT IS PROPRIETARY TO MOLEX ELECTRONIC TECHNOLOGIES, LLC AND SHOULD NOT BE USED WITHOUT WRITTEN PERMISSION		CURRENT REV DESC: UPDATED NOTES	
	DIMENSION UNITS	SCALE	EC NO: 736317	
	mm	1:1	DRWN: ARPITT 2023/01/26	
	GENERAL TOLERANCES (UNLESS SPECIFIED)		CHK'D: RSILLER 2023/01/26	
ANGULAR TOL ± °		APPR: RSILLER 2023/01/26		
4 PLACES ±		INITIAL REVISION:		
3 PLACES ±		DRWN: RSCHIEBER 2020/07/15		
2 PLACES ± 0.05		APPR: RSILLER 2020/08/24		
1 PLACE ± 0.1		DRAFT WHERE APPLICABLE MUST REMAIN WITHIN DIMENSIONS		
0 PLACES ±		THIRD ANGLE PROJECTION	DRAWING	SERIES
			A2-SIZE	120244
		MATERIAL NUMBER	CUSTOMER	SHEET NUMBER
		SEE TABLE 1	GENERAL MARKET	1 OF 1



CSE M12 CHT 8P 4+4P MAFE STR PUR XM DE

PRODUCT CUSTOMER DRAWING

DOCUMENT NUMBER: 1202440200, DOC TYPE: PSD, DOC PART: 000, REVISION: A2