

# VC-AR3/4M-PEA


Order No.: 1607787

The illustration shows the product version VC-AR2/3M-PEA



<http://eshop.phoenixcontact.de/phoenix/treeViewClick.do?UID=1607787>

Panel mounting frame, with PE, for VARIOCON supporting base elements, type 3, number of insert modules 4

Commercial data	
GTIN (EAN)	4  017918 948900
sales group	D240
Pack	1 pcs.
Customs tariff	85389099
Catalog page information	Page 361 (PC-2009)

### Product notes

WEEE/RoHS-compliant since:  
03/27/2007



<http://www.download.phoenixcontact.com>  
Please note that the data given here has been taken from the online catalog. For comprehensive information and data, please refer to the user documentation. The General Terms and Conditions of Use apply to Internet downloads.

## Technical data

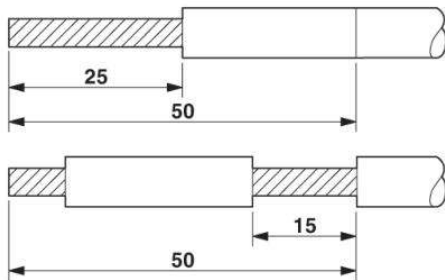
General data	
Note	Required for supporting base elements and voltages > 42 V
Ambient temperature (operation)	-40 °C ... 125 °C
Design	VC3
Conductor cross-section	0.5 mm <sup>2</sup> ... 4 mm <sup>2</sup> (For PE conductor)

**Material data**

Inflammability class acc. to UL 94	V0
Contact material	CuZn
Contact surface material	Nickel-plated

**Diagrams/Drawings**

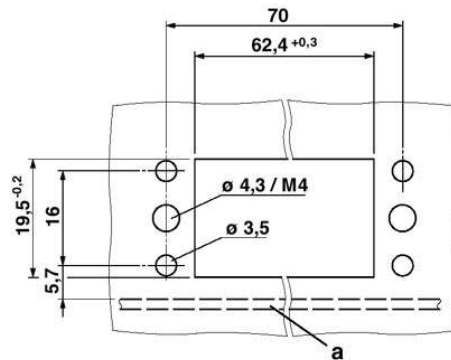
Functional drawing



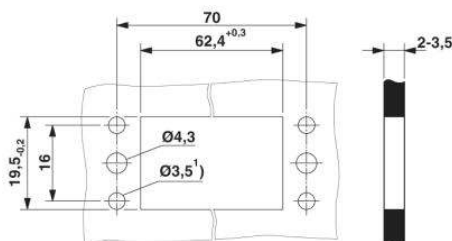
**Installation note:**

The frame has a PE sheet with a PE connection. Strip the PE conductor 20 mm and slit the insulation over a length of 50 mm. Push the slit insulation forward by 15 mm. Connect the PE contact of the module and clamp it to the PE metal under the PE screw.

Dimensioned drawing



a - PCB



VC-AR3/4M-PEA Order No.: 1607787

<http://eshop.phoenixcontact.de/phoenix/treeViewClick.do?UID=1607787>

---

**Address**

PHOENIX CONTACT Deutschland GmbH  
Flachmarktstr. 8  
32825 Blomberg, Germany  
Phone +49 5235 3 12000  
Fax +49 5235 3 41200  
<http://www.phoenixcontact.de>



© 2011 Phoenix Contact  
Technical modifications reserved;