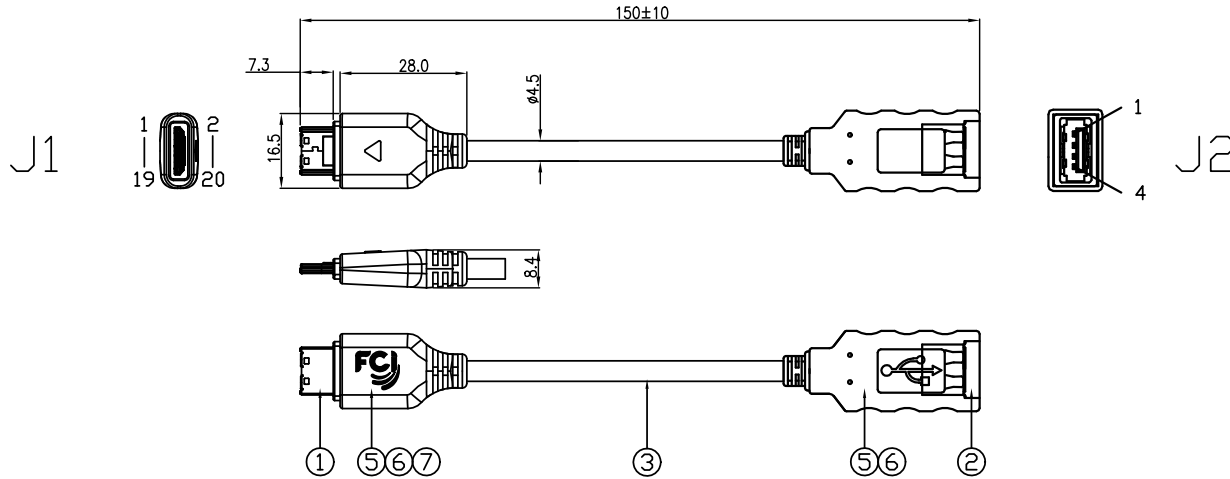


10114548-0150LF



NOTES:

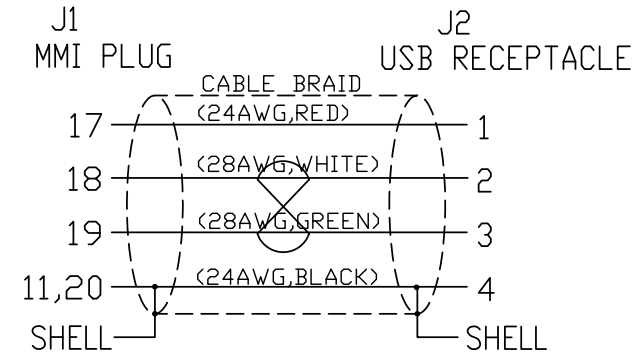
- 1. P/N: 10114548-XXXX LF
LEAD FREE
LENGTH CODE (UNIT : mm)
0150 - DIM. A: 150±10mm

2. MATERIALS

- ① MMI PLUG: 20PIN PLUG WITH SHELL COVER
20PIN PLUG WITH SHELL COVER
- ② USB RECEPTACLE: A TYPE
- ③ USB CABLE:
28AWG*1P+24AWG*2C+BRAID, OD4.5MM, COLOR: WHITE.
- ④ CABLE TIE: COLOR WHITE.
- ⑤ INNERMOLD: LD-PE, COLOR WHITE.
- ⑥ OVERMOLD: 55P PVC, COLOR WHITE.
- ⑦ PCB: PADDLE CARD, MATERIAL FR4, 0.8mm THICKNESS.

- 3. PRODUCT SPEC:GS-12-653; PACKING SPEC: GS-14-1485
- 4. THE PRODUCT IS NOT INTENDED TO EXPOSED TO A MANUFACTURING SOLDER PROCESS
- 5. ALL CABLE ASSEMBLIES SHALL BE TESTED 100% FOR CONTINUITY AS DEFINED IN WIRING DIAGRAM
CONDUCTOR RESISTOR:<=3.0 OHM; INSULATION RESISTOR:>=10M OHM
HIPOT TESTING:300V DC, 0.01S.
- 6. PRODUCT COMPLY WITH ROHS ENVIRONMENT STANDARD, SIX HAZARD SUBSTANCES MUST BE CONTROLLED AS FELLOW:
Cd<1000ppm; Pb Hg Cr6+ PBBB, PBDE<1000ppm.

WIRING DIAGRAM



mat'l. code				tolerances unless otherwise specified		CUSTOMER COPY		FCJ		www.fciconnect.com		
ltr	ecn no	dr	date	linear	.X ± 0.35		projection	title				
1	P10-0008	Jerry	06/10/10		.XX ± 0.10			MM	MMI TO USB CABLE ASSEMBLY			
					.XXX ± 0.05				product family MMI code TWN			
				angles	0° ±2°		scale		A4		sheet 1 of 1	
				dr	Jerry Yi	06/10/10	NA		10114548			
				enrg	Jerry Yi	06/10/10			size dwg no			
				chr	Roger cheng	06/10/10						
				appd	Jackson Wang	06/10/10						
sheet index	revision sheet	A 1										