

MATERIALS AND FINISHES:

BODY: BRASS
 PLATED: TRI-M3 (118µ-in MIN)

CONTACT: BRASS
 PLATED: SILVER (118µ-in MIN)

COUPLING NUT: BRASS
 PLATED: NICKEL (78µ-in MIN)

INSULATORS: PTFE

O-RING: SILICONE RUBBER

PERFORMANCE REQUIREMENTS:

FREQUENCY RANGE: 0-6 GHz

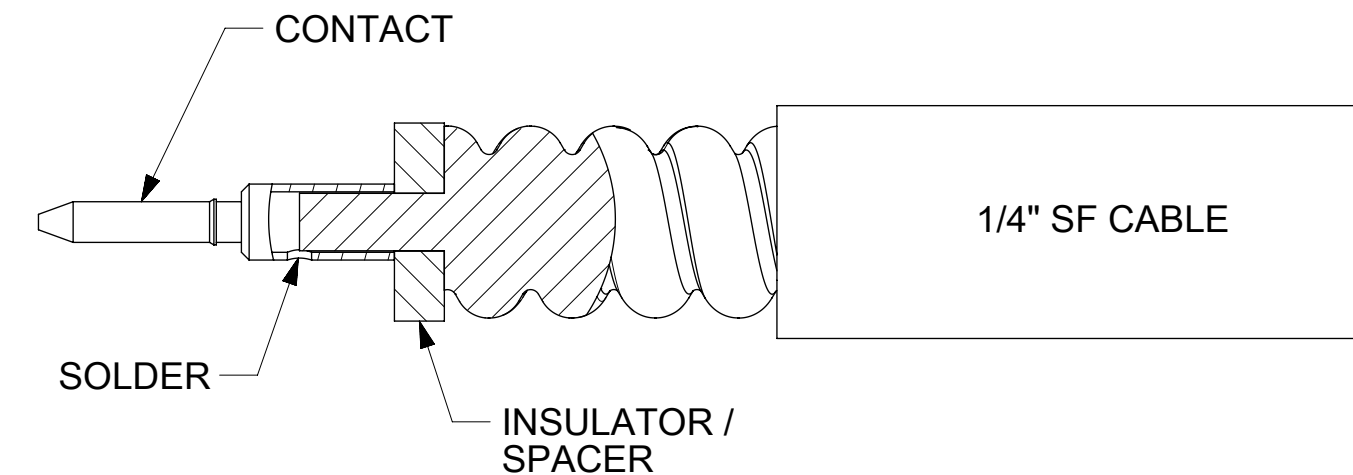
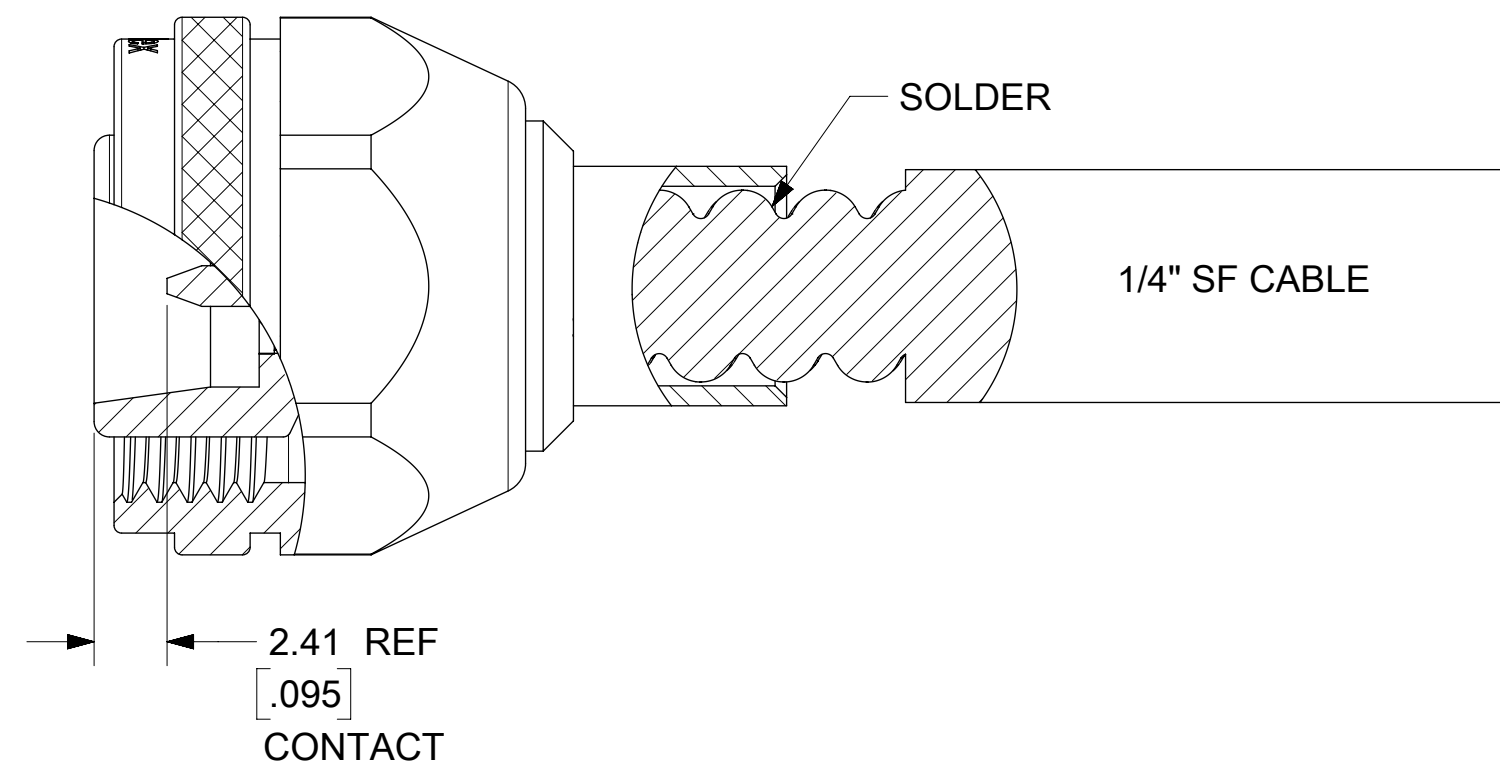
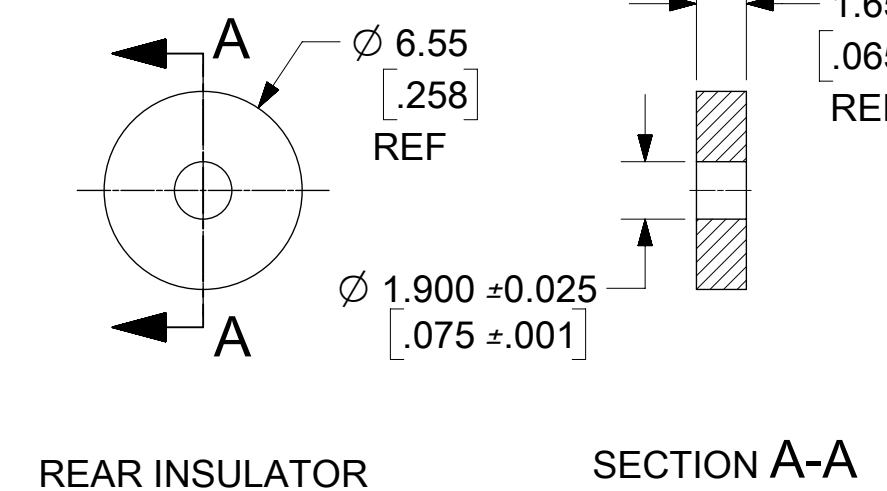
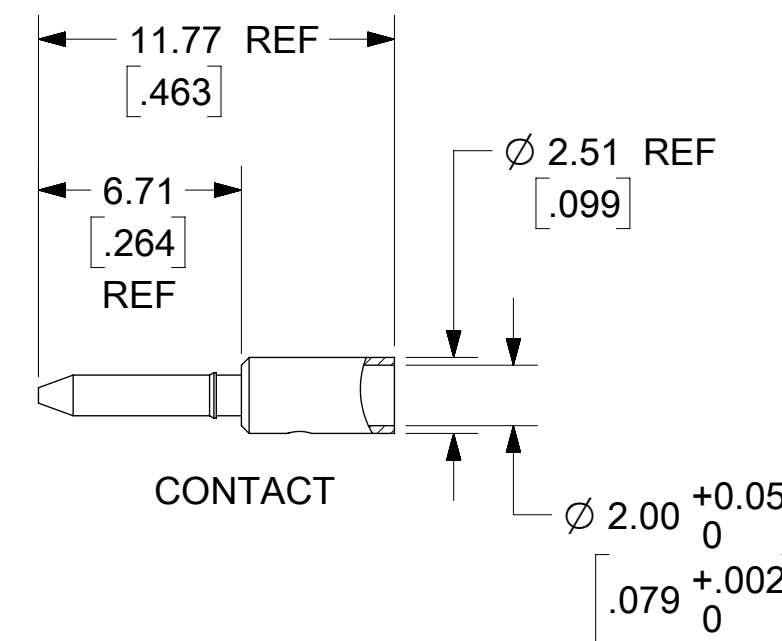
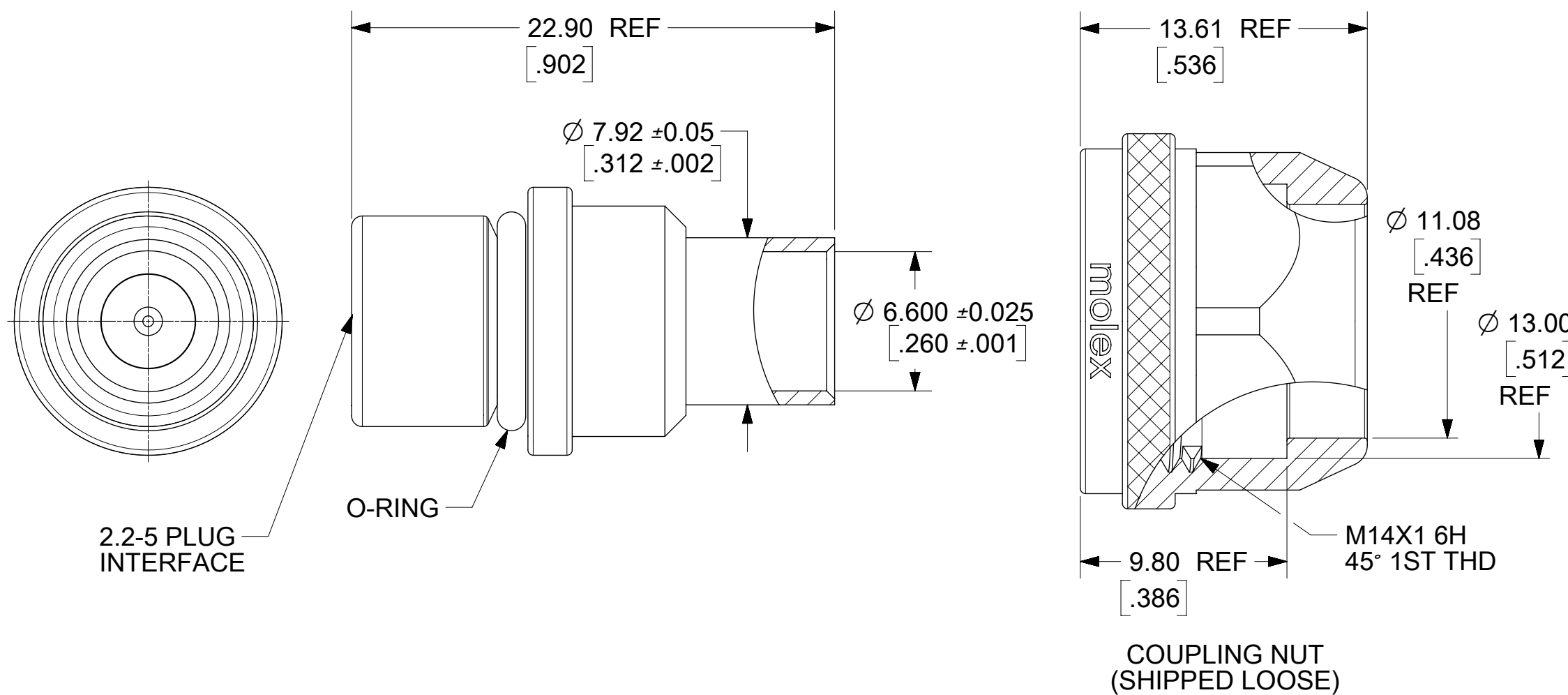
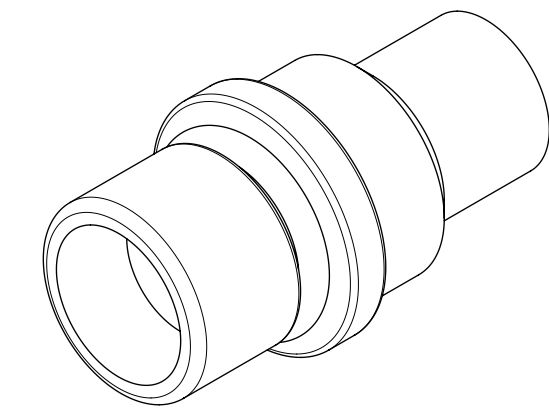
IMPEDANCE: 50 OHMS

WITHSTAND VOLTAGE: 1.5 kV/ 50 Hz

RETURN LOSS (TYPICAL): -36dB, DC TO 6.0GHz

PIM (TYPICAL): <-166dBc @ 2 x 43dBm

WATER PROOF: IP67 (UNMATED)



PART # 73225-3030

2.2-5 INTERFACE SPEC (IEC)	INTERFACE
SPECIFICATION	DESCRIPTION

SYMBOLS										THIS DRAWING CONTAINS INFORMATION THAT IS PROPRIETARY TO MOLEX ELECTRONIC TECHNOLOGIES, LLC AND SHOULD NOT BE USED WITHOUT WRITTEN PERMISSION														
DIMENSION UNITS					SCALE					CURRENT REV DESC: SEE ECM														
= 0					MM					EC NO: 601674 DRWN: APRAKASH01 2018/07/16 CHK'D: BBHARADWAJD 2018/08/02 APPR: AROBERTSON 2018/08/02 INITIAL REVISION: DRWN: APRAKASH01 2018/07/05 APPR: AROBERTSON 2018/07/05														
GENERAL TOLERANCES (UNLESS SPECIFIED)																								
= 0					MM															INCH				
= 0					4 PLACES ±															±				
= 0					3 PLACES ±															± 0.01				
= 0					2 PLACES ±					0.25 ±														
= 0					1 PLACE ±					±														
= 0					0 PLACES ±					±														
= 0					ANGULAR TOL ±					2.0°														
= 0					DRAFT WHERE APPLICABLE MUST REMAIN WITHIN DIMENSIONS					THIRD ANGLE PROJECTION					DRAWING C-SIZE									
= 0					SERIES 73225					MATERIAL NUMBER 732253030					CUSTOMER									

2.2-5 PLUG ST IP67 FOR 1/4 INCH CORRUGATED CABLES, EWR-11420

PRODUCT CUSTOMER DRAWING

DOCUMENT NUMBER: **732253030** DOC TYPE: PSD DOC PART: 000 REVISION: B

SHEET NUMBER: 1 OF 1