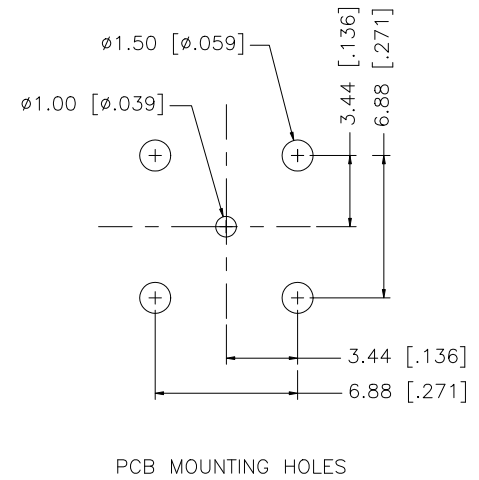
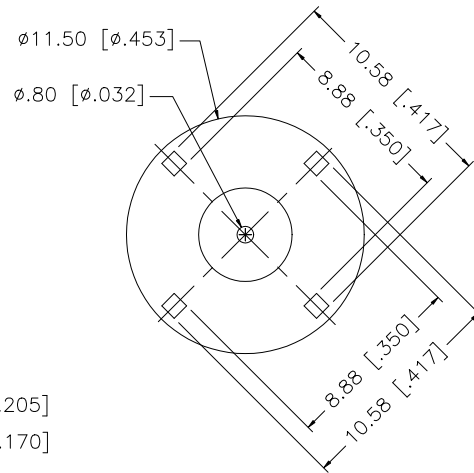
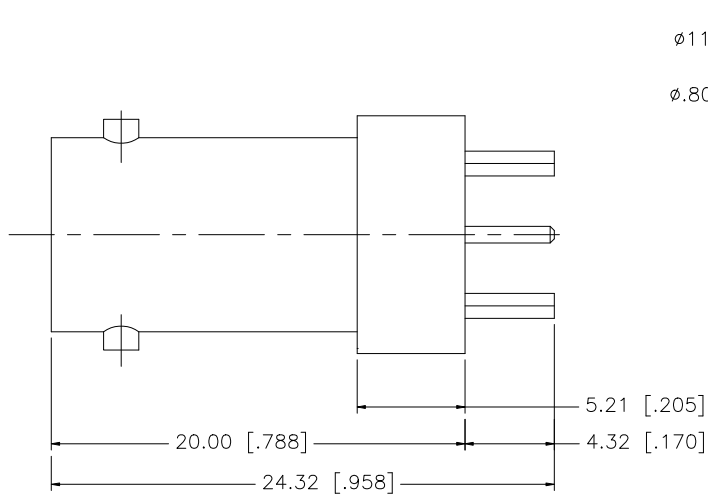


REV.	DATE	ECR NO.	DESCRIPTION
NC	03/20/03	-	INITIAL RELEASE
A	01/21/09	100076	REVISE BODY PLATING TO NICKEL
B	02/05/09	-	ADD NOTE 1.



NOTES:

1. VSWR 1.15 MAX @ 3GHz.

REV.	DATE	ECR NO.	DESCRIPTION
8			
7			
6			
5			
4			
3	CONTACT PIN	PHOS. BRONZE	GOLD 1
2	INSULATOR	PTFE	NATURAL 1
1	BODY	BRASS	NICKEL 1
	DESCRIPTION	MATERIAL	FINISH QTY

UNLESS OTHERWISE SPECIFIED DIMENSIONS ARE IN MILLIMETERS. DIMENSIONS IN [] ARE IN INCHES AND FOR CUSTOMER REFERENCE ONLY.		APPROVALS	DATE
UNLESS OTHERWISE SPECIFIED TOLERANCES FOR MILLIMETERS ARE: 0.5 - 8mm ± 0.20mm 8 - 30mm ± 0.40mm 30 - 120mm ± 0.50mm		DRAWN GRS	02/05/09
UNLESS OTHERWISE SPECIFIED TOLERANCES FOR INCHES ARE: .020 - .315 = ± 0.007" .315 - 1.180 = ± 0.015" 1.180 - 4.724 = ± 0.020"		CHECKED	
DO NOT SCALE DRAWING		ISSUED	
		SHEET 1 OF 1	
		CAD FILE	C:/112/112515-75.DWG

Amphenol Connex			
PART DESCRIPTION BNC P.C. MOUNT RECEPTACLE JACK (75 ohm)			
PART NO. 112515-75			
DWG. NO.	112515-75.DWG	REV.	B
SIZE	A	SCALE	NA