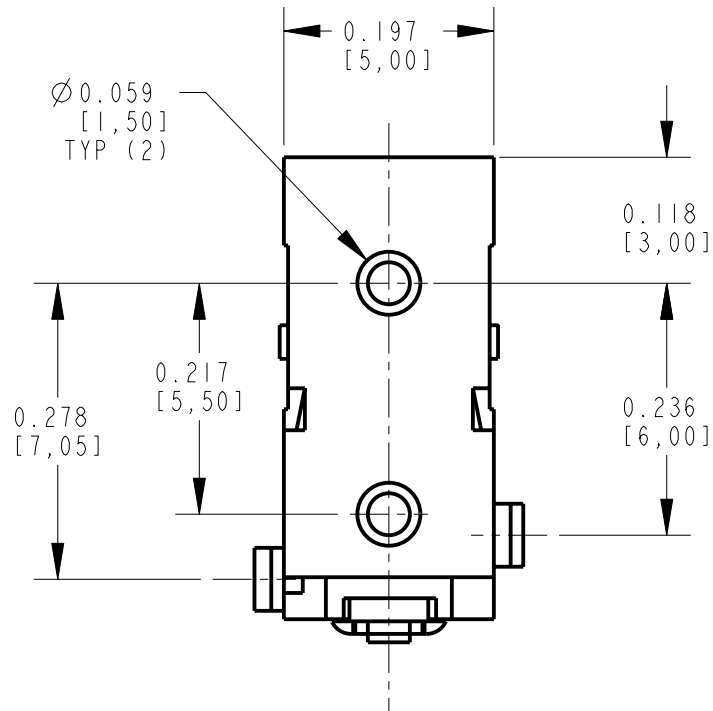
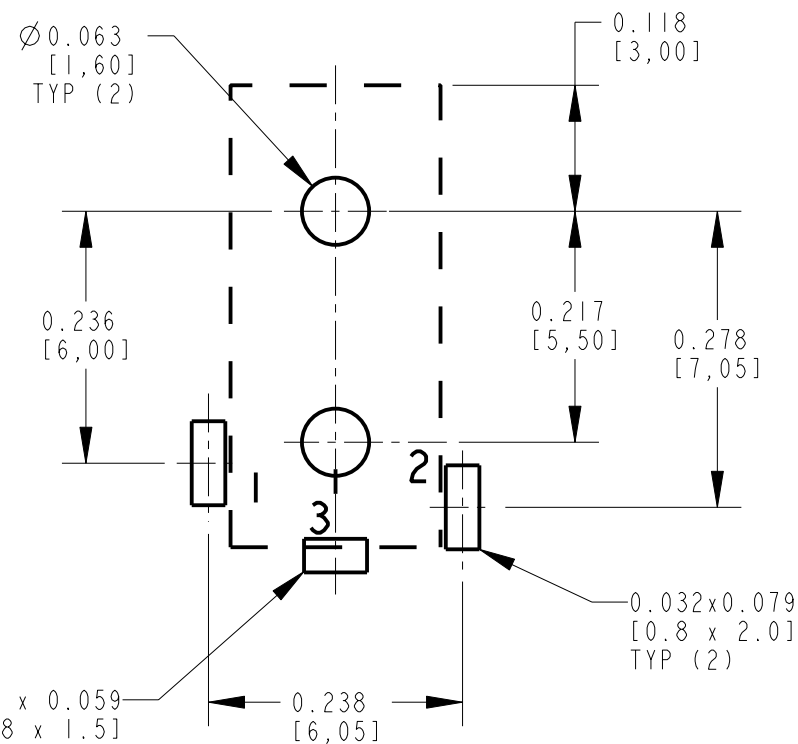


SCHEMATIC



NOTES:

1. ALL DIMENSIONS ARE REFERENCE.
2. MATERIALS:
HOUSING: THERMOPLASTIC, BLACK
SPRING CONTACT: COPPER ALLOY, SILVER PLATED
SHUNT TERMINAL: COPPER ALLOY, SILVER PLATED
CENTER PIN: COPPER ALLOY, SILVER PLATED
3. THIS PRODUCT IS RoHS COMPLIANT

CUSTOMER DRAWING

PC BOARD LAYOUT
COMPONENT SIDE

REV	ECO NUMBER	DATE	BY	APVD
A	25129	9-9-05	JL	MW

REVISIONS

★ STAR SYMBOL DENOTES CRITICAL DIMENSION

UNLESS OTHERWISE SPECIFIED

1. ALL DIMENSIONS IN INCHES
- TWO PLACE DECIMALS ± 0.01
- THREE PLACE DECIMALS ± 0.005
- ANGLES $\pm 1^\circ$
- ALL DIA. CONCENTRIC WITHIN 0.005 T.I.R.

2. FEATURES ON THE SAME CENTERLINE MUST BE ALIGNED WITHIN ± 0.002

3. REMOVE ALL BURRS

DO NOT SCALE DRAWING

THIS DRAWING DESCRIBES A DESIGN CONSIDERED PROPRIETARY IN NATURE, DEVELOPED AND MANUFACTURED BY SWITCHCRAFT INC. AND IS RELEASED ON A CONFIDENTIAL BASIS FOR IDENTIFICATION PURPOSES ONLY.				
SIZE	WIDTH	MULT	LBS/M	TEMPER
FINISH		MATERIAL		
SPEC No.		SPEC No.		
FIRST USED ON		SCALE		
		5 : 1		
DATE DRAWN	BY	CHKD	APVD	
09-Sep-05	JL	MW	MW	
		9-9-05	9-9-05	
NAME				PART No.
RIGHT ANGLE PCB DC JACK				RAPC752X
$\varnothing 0.65\text{mm}$ PIN, RoHS				REV
				A