

5

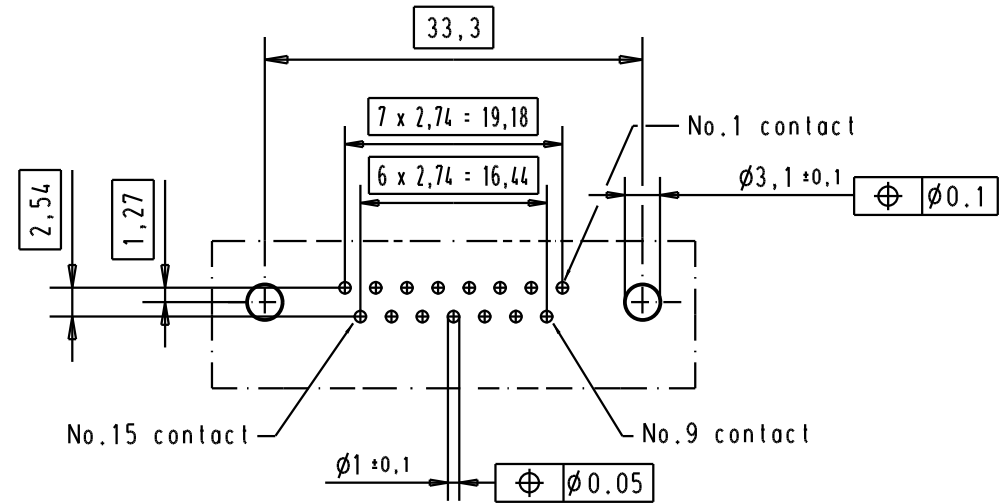
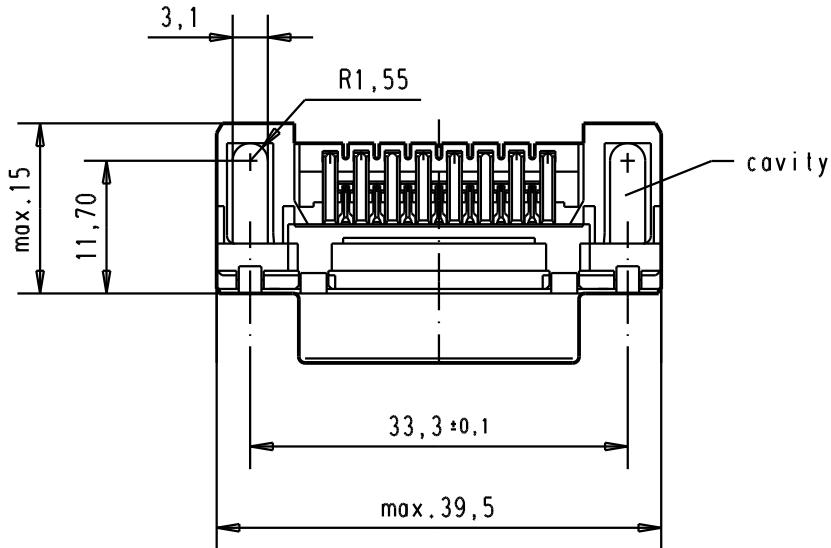
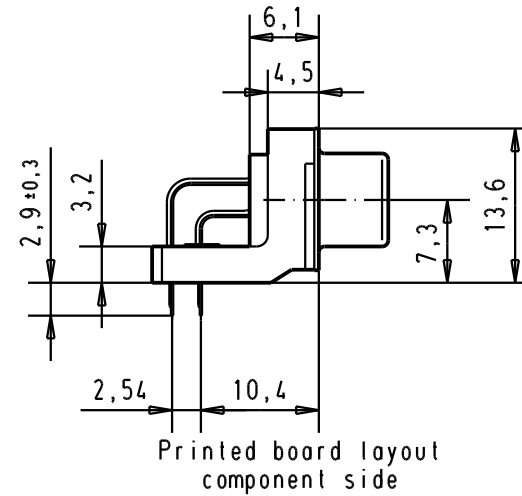
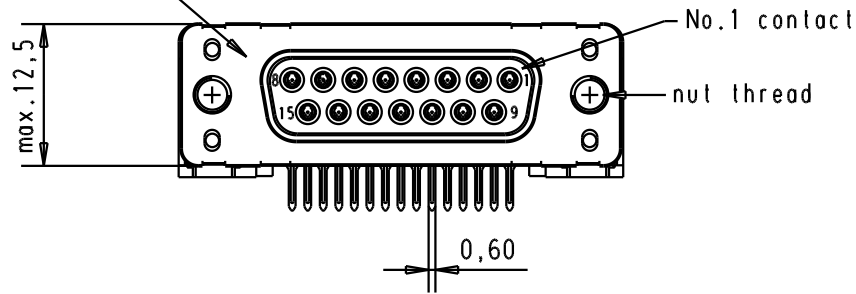
4

3

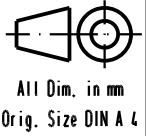

2

1

Mating face according to : MIL-C-24308 / DIN 41652 / CECC 75301-802



A

Part number	Nut thread	Performance level	Mod.	Dat.	Name	Dat.	Name	 All Dim. in mm Orig. Size DIN A 4		D-Sub 15 poles standard angle female, solder pin with nut and hole Maßstab/Scale 1.5:1	Blatt/ Page 2
09 66 212 3601	M 3	1									
09 66 212 6601	M 3	2				Detail.	27/nov/00	ALSPACE			
09 66 212 7601	M 3	3				Insp.					
09 66 212 3602	4-40 UNC	1	31892	05/05/04	JH	Stand.					
09 66 212 6602	4-40 UNC	2	29773	18-APR-02	CV	HARTING EURL F-95972 Paris			TB 0966212x60x	Sub.	
09 66 212 7602	4-40 UNC	3	27960	27/nov/00	ALSPACE						