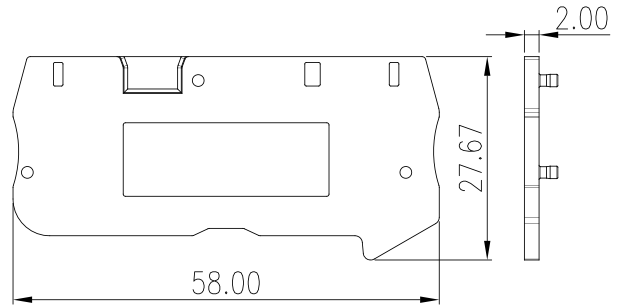


DP1.5C-TN



DIN Rail Terminal Blocks > Accessories



Specification

Product description	END COVER
Color	GREY(default)
Material	PA66
Inflammability class	UL94-V0
Compatible products	DP1.5-TN
Package	50 pcs / box