

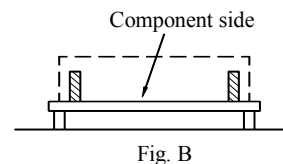
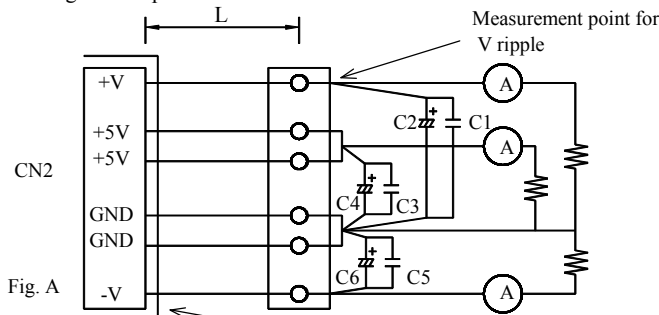
SWT30 SPECIFICATION

CA701-01-01F

ITEMS		MODEL	SWT30-522			SWT30-525			SWT30-5FF		
			CH1	CH2	CH3	CH1	CH2	CH3	CH1	CH2	CH3
1	NOMINAL OUTPUT VOLTAGE	V	+5	+12	-12	+5	+12	-5	+5	+15	-15
2	MIN. OUTPUT CURRENT	A	0.2	0.4	0	0.2	0.4	0	0.2	0.4	0
3	MAX. OUTPUT CURRENT	A	2	1.5	0.3	2	1.5	0.3	2	1	0.3
4	PEAK OUTPUT CURRENT (*10)	A	3	3	-	3	3	-	3	2.2	-
5	MAX. OUTPUT POWER (PEAK)	W	31.6(49.6)			29.5(47.5)			29.5(47.5)		
6	EFFICIENCY (TYP) (* 1)	-	70%			70%			70%		
7	INPUT VOLTAGE RANGE (* 2)	-	AC85~265V (Continuously), 47 ~ 63Hz / 110~340VDC								
8	INPUT CURRENT (TYP) (* 1)	-	0.90A(Vin=100VAC) / 0.45A(Vin=200VAC)								
9	INRUSH CURRENT (TYP)	-	15A / 100VAC, 30A / 200VAC (cold start, Ta=25°C)								
10	OUTPUT VOLTAGE	-	CH1 +5V fixed, CH2,3 fixed Shipment condition: CH1: ±1%, CH2(+12V): ±3%,CH2(+15V):±5%, CH3: ±5%								
11	MAX. RIPPLE & NOISE (* 3)	-	±5V: 120mV; ±12V: 150mV; ±15V: 150 mV								
12	MAX. LINE REGULATION (*3,4)	-	CH1:1% , CH2: 2% , CH3: 1%								
13	MAX. LOAD REGULATION (*3,5)	-	CH1:2% , CH2: 4% , CH3: 2%								
14	MAX. TEMPERATURE DRIFT (*3,6)	-	0.04%/°C								
15	OVER CURRENT PROTECTION (* 7)	-	Automatic recovery, O.C.P point : 170% ~								
16	OVER VOLTAGE PROTECTION (* 8)	-	6V ~ (CH1 only)								
17	HOLD - UP TIME (TYP) (* 1)	-	17ms (Input 100 VAC)								
18	OPERATING TEMPERATURE (* 9)	-	Convection cooling 0~50°C:100% load; 60°C: 70% load								
19	OPERATING HUMIDITY	-	30%~90%RH								
20	STORAGE TEMPERATURE	-	-20°C ~ +85°C								
21	STORAGE HUMIDITY	-	10%~95%RH								
22	COOLING	-	Convection cooling								
23	EMI	-	Conform to FCC-B, VCCI-2, EN55022B								
24	WITHSTAND VOLTAGE	-	I/P-O/P:3kVAC(20mA), I/P-FG:2.5kVAC(20mA), O/P-FG:500VAC(100mA) for 1min								
25	ISOLATION RESISTANCE	-	More than 100MΩ at Ta=25°C and 70%RH, Output - FG 500VDC								
26	VIBRATION	-	10 - 55Hz Amplitude (sweep 1min) Less than 19.6m/s ² X ,Y ,Z 1Hr each								
27	SHOCK	-	Less than 196.1m/s ²								
28	OUTPUT GROUNDING	-	All channels common ground (2 terminals)								
29	SAFETY	-	Conform to UL60950-1, CSA60950-1, EN60950-1, DENAN								
30	WEIGHT	-	230g								
31	SIZE (W*D*H)	m/m	76.2 x 127.0 x 30.5								
		inch	3.00 x 5.00 x 1.20 (2.55 x 4.55 mounting hole Φ 3.5mm)								

NOTES:

- *1. At 100VAC, 200VAC and MAX. OUTPUT POWER (Convection cooling), Ta=25°C.
- *2. For cases where conformance to various safety specs (UL,CSA, EN) are required to be described as 100~120VAC, 200~240VAC, 50/60 Hz on name plate.
- *3. Please refer to Fig A for measurement determination of line & load regulation and output ripple voltage.
(Measure with JEITA RC-9131 probe)
- *4. From 85~132VAC / 170~265VAC, constant load.
- *5. From Min. load - Full load (Maximum power), constant input voltage.
- *6. From 0°C ~ +50°C, constant input voltage and load.
- *7. Current limiting with automatic recovery. Avoid to operate over load or dead short for more than 30 seconds.
- *8. Over voltage clamping by zener diode.
- *9. At standard mounting method, Fig B.
- *10. Peak current operation is less than 10 sec. with duty factor less than 30%. In addition, it does not has to satisfy the total regulation specification.



L: 150mm AWG#18
 C1,C3,C5: Film Cap 0.1μF
 C2,C4,C6: Elec. Cap 100μF
 Bandwidth of scope: 100MHz

SWT30

OUTPUT DERATING

CA701-01-03A

Ta (°C)	LOADING CONDITION (%)				
	Mounting A	Mounting B	Mounting C	Mounting D	Mounting E
0	100	100	100	100	100
20	100	100	100	100	100
40	100	100	100	100	100
50	100	75	100	75	75
60	70	50	70	50	50

