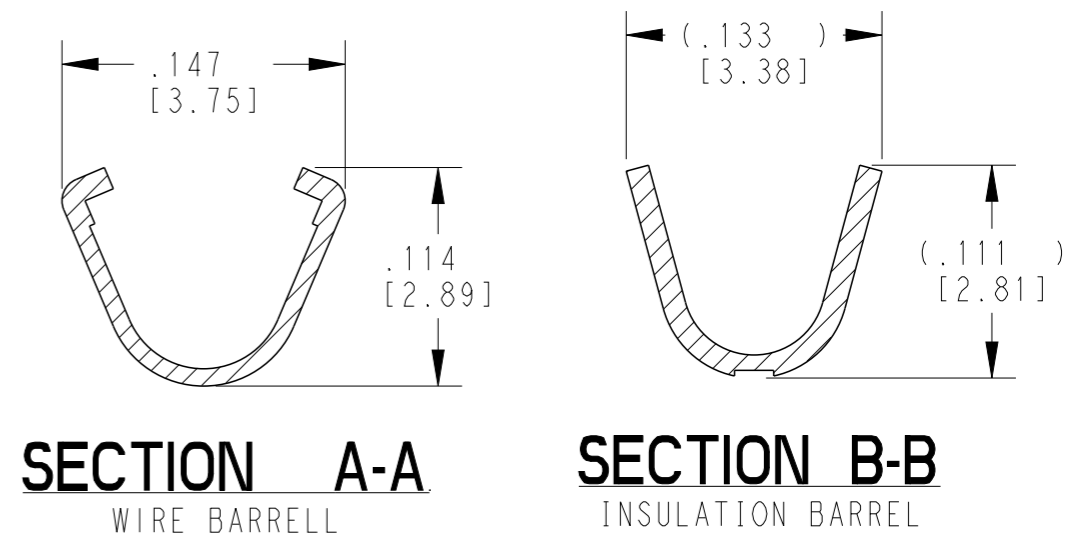
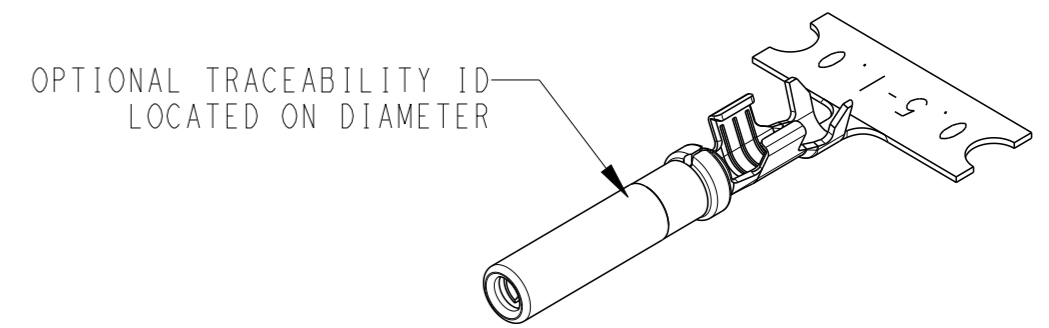
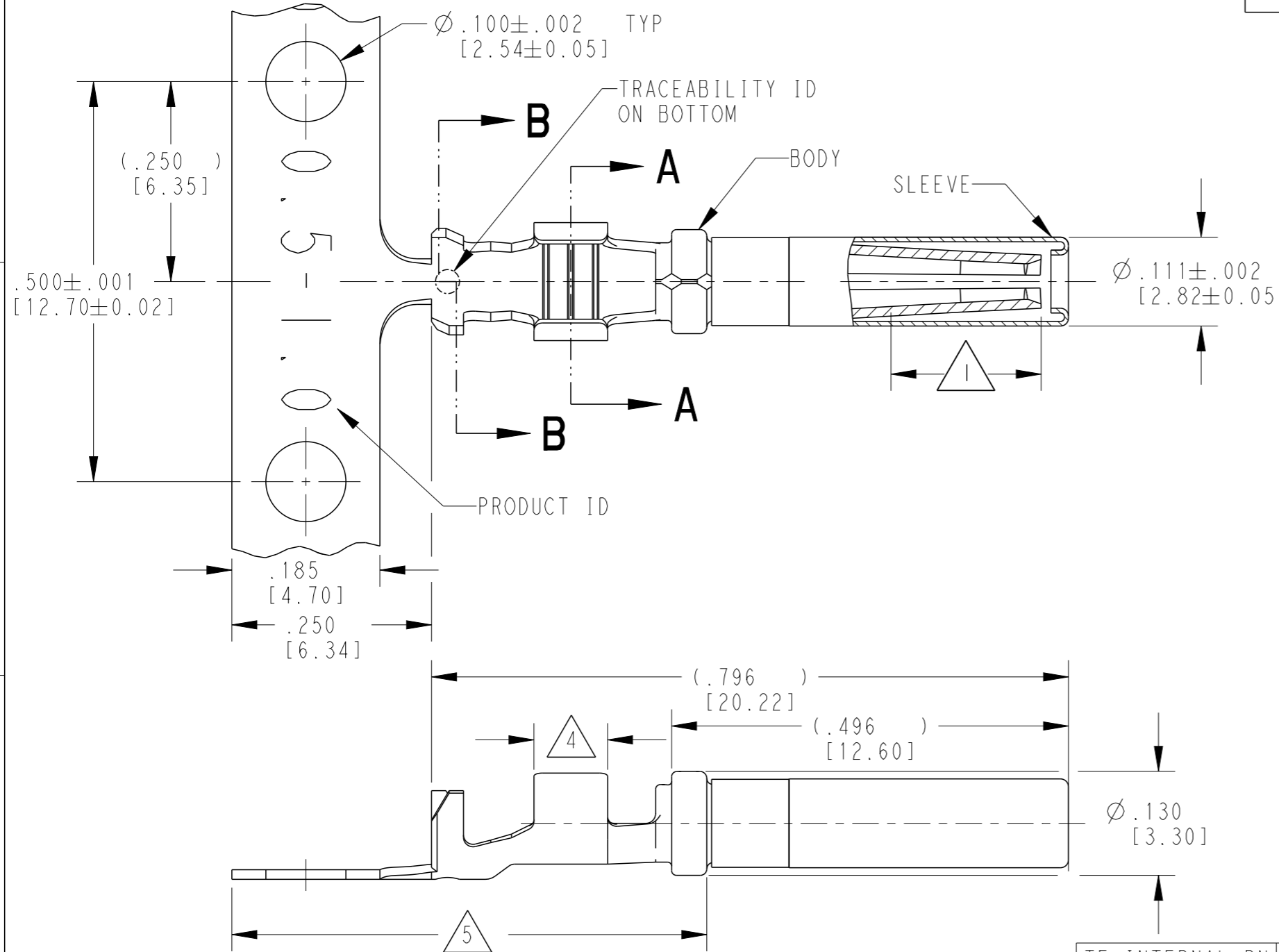


THIS DRAWING IS UNPUBLISHED
 RELEASED FOR PUBLICATION 2020
 © COPYRIGHT 2020 BY - TE CONNECTIVITY ALL RIGHTS RESERVED.

LOC	DIST	REVISIONS			
P	LTR	DESCRIPTION	DATE	DWN	APVD
	F1	REVISED PER PCN E-17-014802	06OCT2017	AJ	DM
	G	REVISED PER PCN E-20-008101	12JUN2020	DM	DM
	G1	REVISED PER PCN-22-157823	12OCT2022	SP	DM



5 TIN PLATING MAY BE IN THIS REGION.

4 TIN PLATED REGION.

3 MATERIAL:
 BODY: .012 [0.30] THICK COPPER ALLOY
 SLEEVE: STAINLESS STEEL

2. WIRE RANGE: 20 AWG TO 16 AWG [0.5-1.0 mm²]
 INSULATION RANGE: Ø .055-.100 [Ø 1.40-2.54]

1 44: GOLD PLATED REGION.
 88: PALLADIUM-NICKEL PLATED REGION.

NOTES: UNLESS OTHERWISE SPECIFIED

TE INTERNAL PN	DEUTSCH PN	PLATING
1062-16-0622	1062-16-0622	Ni/Cu overall, Sn/Ni/Cu Wire Barrel
1062-16-0644	1062-16-0644	Selective Au, Ni/Cu overall, Sn/Ni/Cu Wire Barrel
1062-16-0677	1062-16-0677	Sn/Ni/Cu overall
1062-16-0688	1062-16-0688	Selective Pd-Ni, Au/Ni/Cu overall

THIS DRAWING IS A CONTROLLED DOCUMENT.		DWN STEVE PALLUTH 28NOV2000		
DIMENSIONS: INCHES [mm]		CHK VLADIMIR TOMSA 06DEC2000		
TOLERANCES UNLESS OTHERWISE SPECIFIED:		APVD R. REED 08DEC2000	NAME SOCKET, STAMPED AND FORMED SIZE 16 16-20AWG	
0 PLC ± 1 PLC ± 2 PLC ± 3 PLC ±0.025 [0.64] 4 PLC ± ANGLES ±		PRODUCT SPEC 108-151000	RESTRICTED TO	
MATERIAL 3		APPLICATION SPEC 114-151000	SIZE A3	CAGE CODE 4AFU8
FINISH SEE TABLE		WEIGHT 0.42 g	DRAWING NO C=1062-16-06XX	SCALE 6:1
		Customer Drawing	SHEET 1 OF 1	REV G1