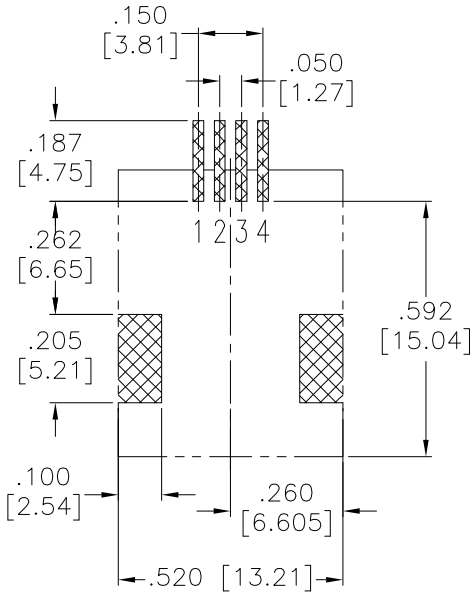
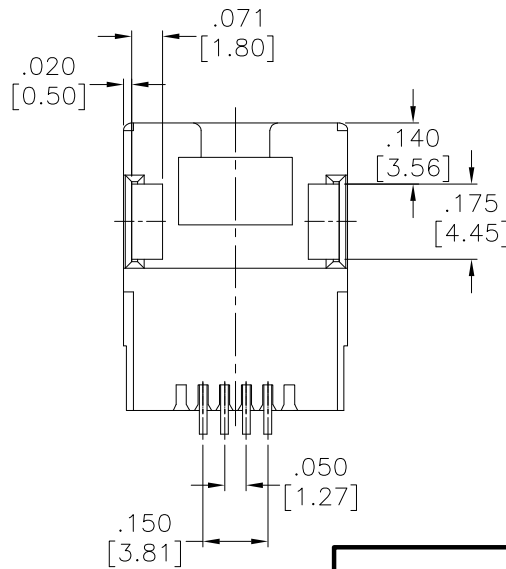
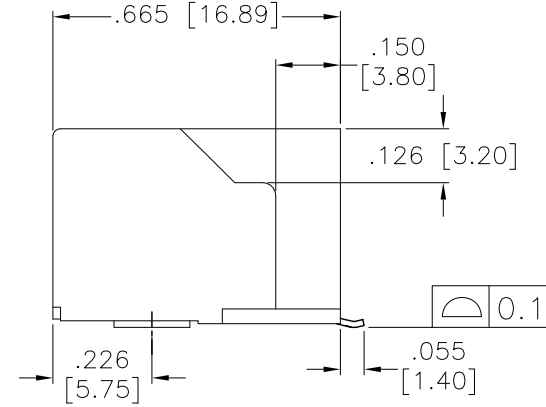
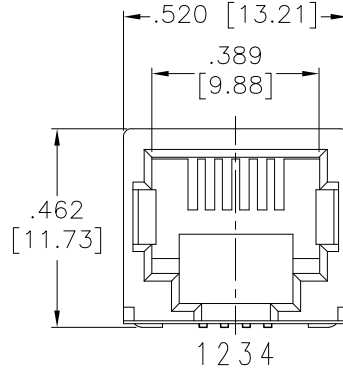


APPROVED: _____
 DATE: _____ TITLE: _____

Rev	AWO #	Description	Date	Appr
-		RELEASED	6/26/06	
A		REDRAWN	9/23/13	AY/KW
B		UPDATE SPEC.	6/20/19	LH/TW



RECOMMENDED PCB LAYOUT



SPECIFICATIONS:

Material:
 Insulator: Hi-temp thermoplastic, rated UL 94V-0
 Insulator color: Black
 Contacts: Phosphor Bronze
 Hold Down: Copper Alloy, Tin plated
Plating:
 Gold over Nickel underplate on contact area
 Gold flash over Nickel underplate on solder tails
Electrical:
 Voltage Rating: 150 VAC max
 Current rating: 1.5 Amps max
 Contact Resistance: 20 mohms max.
 Insulation resistance: 500 Mohms min @500 VDC
 Dielectric withstanding voltage: 1000 Vrms for 1 minut
 Temperature Rating:
 Operating temperature: -40°C to +85°C
Environmental:
 Lead free, RoHS compliant.



UNLESS OTHERWISE SPECIFIED
 ALL DIMENSIONS ARE INCHES
 TOLERANCES: EXCEPT AS NOTED
 INCHES HOLES
 .X ± .10 Ø.X ± .10
 .XX ± .020 Ø.XX ± .015
 .XXX ± .015 Ø.XXX ± .010

ADAM TECH INTERCONNECTS
 909 Rahway Avenue,
 Union, NJ 07083
 Phone: 908-687-5000
 Fax: 908-687-5710

TITLE
**MODULAR TELEPHONE JACK, 6P4C
 SMT, COLOR BLACK, X GOLD**

APPROVALS		DATE
DRAWN	SS	6/26/06
CHECKED		
APPROVED		

SIZE	PART NO.	REV.
X	MTJ-64WAX1	B
REF: S00065T	SCALE: NTS	SHEET 1 OF 1