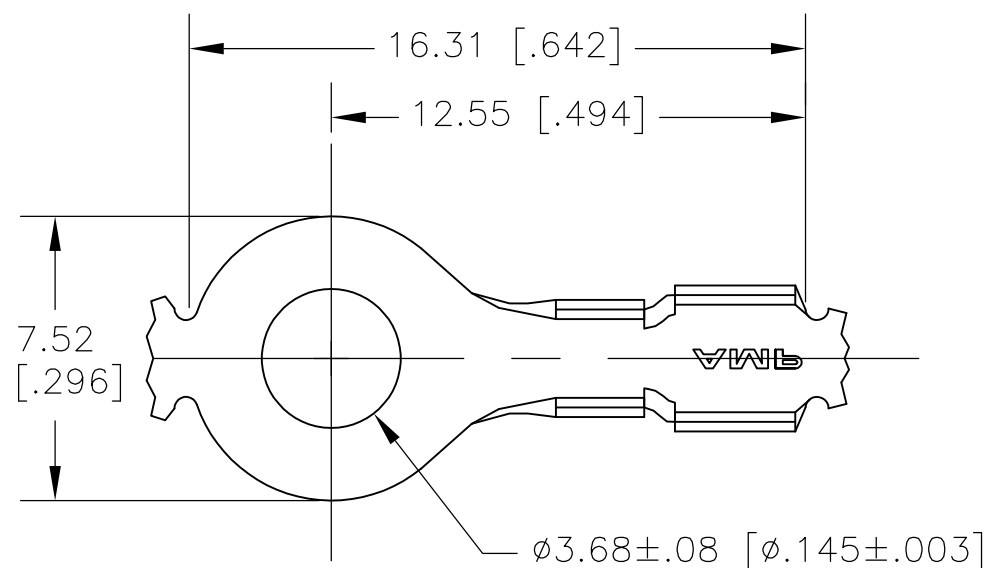
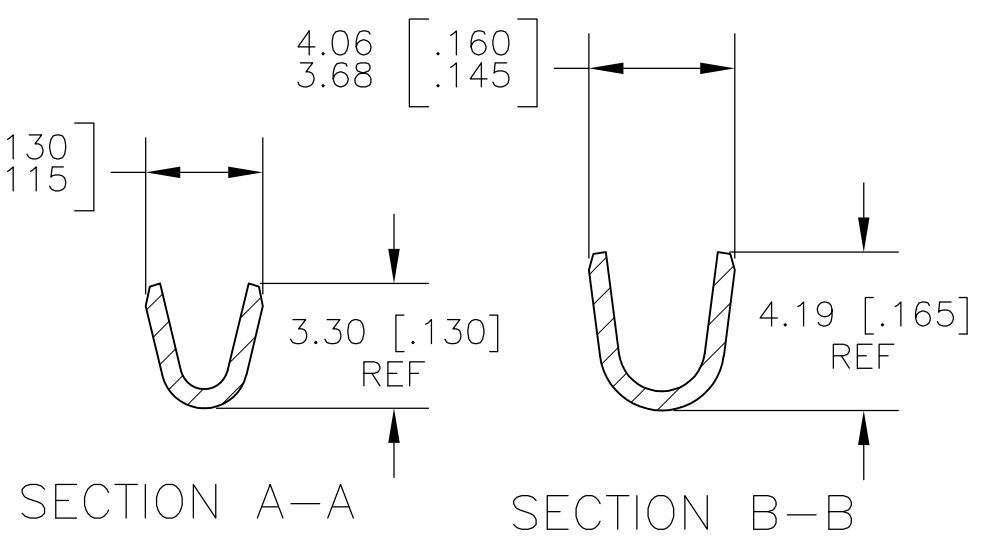
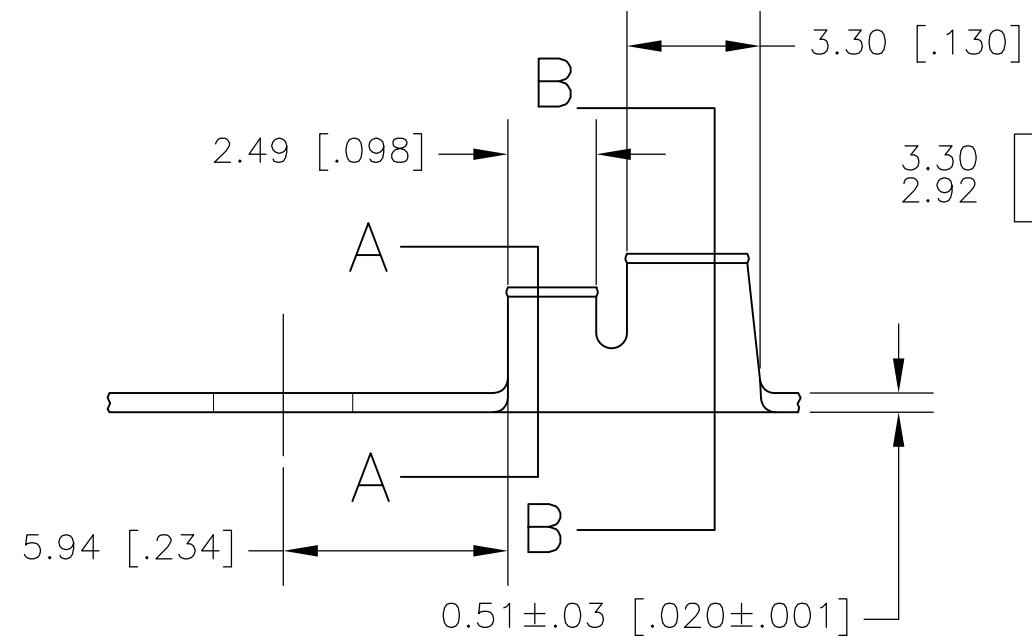


THIS DRAWING IS UNPUBLISHED. RELEASED FOR PUBLICATION
 © COPYRIGHT BY TYCO ELECTRONICS CORPORATION. ALL RIGHTS RESERVED.

LOC	DIST	REVISIONS			
P	LTR	DESCRIPTION	DATE	DWN	APVD
AF	50	P	REVISED PER ECR-10-06099	07JUL10	HMR PD



- CONTINUOUS STRIP ON REELS.
- WIRE SIZE [22-18] AWG.
- INSULATION RANGE 1.52-2.79 [.060-.110] DIA.
- PRELIMINARY - NOT FOR PRODUCTION



1/2 HARD STAINLESS STEEL	△ 5 40697-2
082 BRASS	40697
MATERIAL	PART NUMBER

THIS DRAWING IS A CONTROLLED DOCUMENT.		DWN	JR RUTH	17NOV00	Tyco Electronics Corporation Harrisburg, Pa 17105-3608
DIMENSIONS: INCHES		CHK	MS FEHER	17NOV00	
		APVD	D DECKER	17NOV00	
TOLERANCES UNLESS OTHERWISE SPECIFIED:		PRODUCT SPEC		NAME	
0 PLC ± - 1 PLC ± - 2 PLC ± 0.38 [.015] 3 PLC ± - 4 PLC ± - ANGLES ± -		APPLICATION SPEC		RING TONGUE	
MATERIAL: SEE TABLE		FINISH: TIN		RESTRICTED TO: -	
CUSTOMER DRAWING			WEIGHT	-	SIZE: A3
SCALE: 5:1			CAGE CODE	00779	DRAWING NO: C-40697
SHEET: 1 OF 1			REV: P		