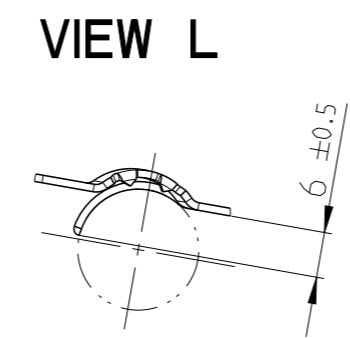
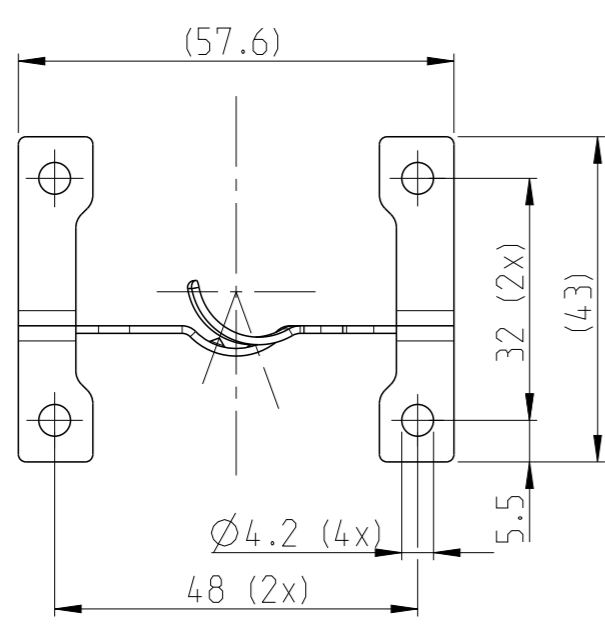
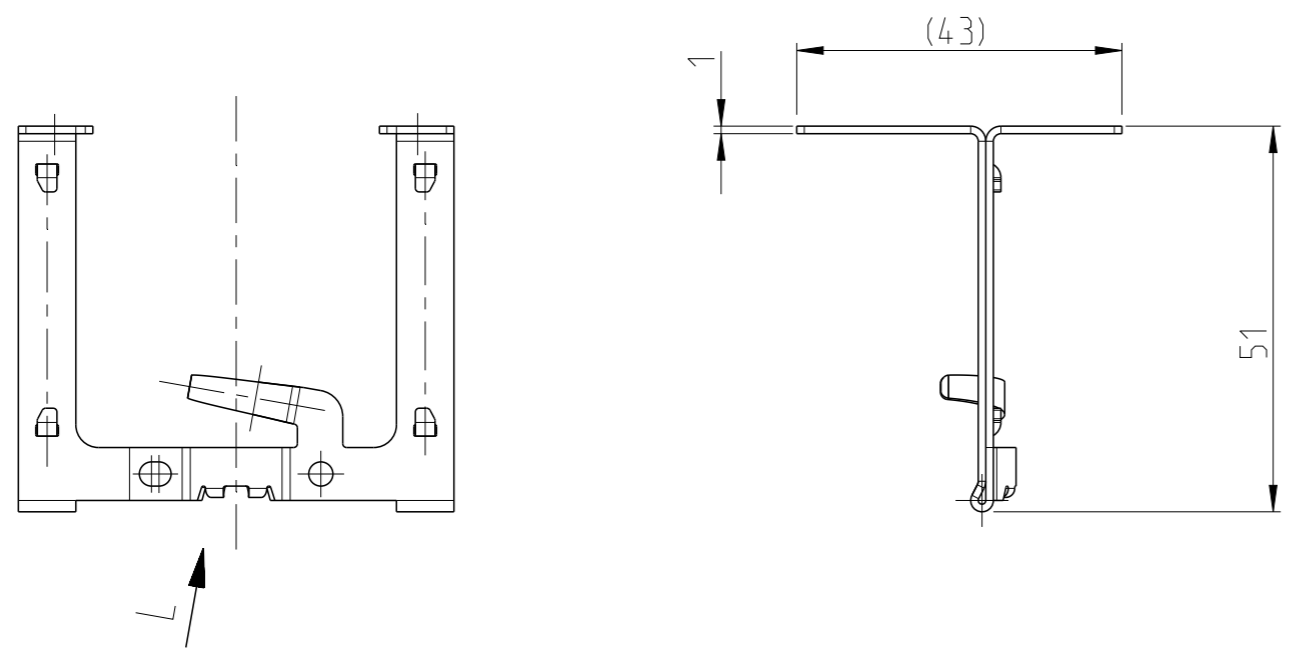


4

3

2

1



1 PACKAGING: 100 PIECES PACKED IN A BAG.  
10 BAGS PACKED IN A TE OR NEUTRAL PAPER BOX.

**-1 AS SHOWN**

TOLERANCING ISO 8015  
GEOMETRIC TOLERANCING ISO 1101  
SIZE ISO 14405  
GENERAL TOLERANCES ISO 2768-K

2295891-1	SCREEN CLAMP, MOTORMAN SHROUD	PRE-TINNED	CuSn4
TE CONNECTIVITY ORDER NO.	DESCRIPTION	SURFACE	MATERIAL
		COLOUR	

DIESE ZEICHNUNG IST EIN KONTROLLIERTES DOKUMENT. BEMASSUNGEN UND TOLERANZEN GEMAESS GPS (ISO STANDARDS).							
THIS DRAWING IS A CONTROLLED DOCUMENT. DIMENSIONING AND TOLERANCING PER GPS (ISO STANDARDS).				DWN E.REISS 07OCT2015			
				CHK KANG INGON 07OCT2015			
				APVD ONDREJ DUSAN 07OCT2015			
DIMENSIONS: MASSEINHEITEN: MM				TOLERANCES UNLESS OTHERWISE SPECIFIED: ALLGEMEINTOLERANZEN			
				0 PLC ±0.2 1 PLC ±0.2 2 PLC ±0.2 3 PLC ± 4 PLC ± ANGLES/WINKEL ±2°			
MATERIAL				FINISH/OBERFLAECHE/FARBE			
				WEIGHT GEWICHT 22.8g			
				NAME SCREEN CLAMP, MOTORMAN SHROUD SCHIRMKLEMME, MOTORMAN KRAGEN			
		SIZE A3		CAGE CODE 00779		DRAWING NO. ZEICHNUNGS-NR. G=2295891	
Customer Drawing				/KUNDENZEICHNUNG		RESTRICTED TO NUR FUER	
				SCALE MASSSTAB 1:1		SHEET BLATT 1 OF 1 VON 1	
						REV A1	