

# HC-A16-I-CT-F - Contact insert



1585443

<https://www.phoenixcontact.com/us/products/1585443>

Please be informed that the data shown in this PDF document is generated from our online catalog. Please find the complete data in the user documentation. Our general terms of use for downloads are valid.

Contact insert, number of positions: 16+PE, size: D25, number of connections per position: 1, Socket, Crimp connection, 250 V, 16 A, 0.5 mm<sup>2</sup> ... 4 mm<sup>2</sup>



## Commercial data

Item number	1585443
Packing unit	1 pc
Minimum order quantity	1 pc
Sales key	BF61
Product key	BF7ABB
GTIN	4046356285179
Weight per piece (including packing)	34.3 g
Weight per piece (excluding packing)	22.22 g
Customs tariff number	85366990
Country of origin	CN

# HC-A16-I-CT-F - Contact insert



1585443

<https://www.phoenixcontact.com/us/products/1585443>

## Technical data

### Notes

General	For HC-D25 / HC-D50 housing, crimp contact CK2,5-ED (crimp contacts not included in scope of supply)
General	Connectors may be operated only when there is no load/voltage.

### Mounting

Assembly instructions	To ensure correct use, installation in housing with IP54 protection or better is required for plastic coding profiles: 4 pcs.
-----------------------	--

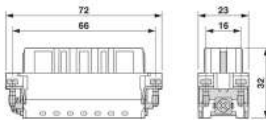
### Product properties

Type	D25 D50
Product type	Contact insert with a fixed no. of positions
Number of positions	16
Connection profile	16+PE
Contact numbering	1 - 16
Number of connections per position	1
Contact material type	turned
Series	HC-A

### Insulation characteristics

Overvoltage category	III
Degree of pollution	3

### Dimensions

Dimensional drawing	
Width	23 mm
Height	33 mm
Length	72 mm
Drill hole distance, horizontal	66 mm
Drill hole distance, vertical	16 mm

### Mechanical characteristics

Contact diameter	2.5 mm
------------------	--------

### Connection data

#### Connection technology

Connection technology	Crimp connection
-----------------------	------------------

# HC-A16-I-CT-F - Contact insert



1585443

<https://www.phoenixcontact.com/us/products/1585443>

Number of connections per position	1
Connection in acc. with standard	IEC / EN

## Conductor connection

Conductor cross section	0.5 mm <sup>2</sup> ... 4 mm <sup>2</sup> (applies to stranded conductors)
Connection cross section AWG	20 ... 12
Tightening torque	0.7 Nm ... 1 Nm (PE connection) 0.5 Nm ... 0.8 Nm (Mounting screws for mounting in the HEAVYCON housing)
Stripping length of the individual wire	8 mm

## Electrical properties

Rated voltage (III/3)	250 V
Rated surge voltage	4 kV
Rated current	16 A

## Mechanical properties

### Mechanical data

Insertion/withdrawal cycles	≥ 500
-----------------------------	-------

## Material specifications

Contact material	Copper alloy
Contact surface material	Ag (alternatively Au)
Contact carrier material	PC
Standards/regulations	PC: Fire protection in rail vehicles - requirement sets R22, R23, and R24 acc. to DIN EN 45545-2 (Risk level HL1 - HL3)

## Environmental and real-life conditions

### Ambient conditions

Ambient temperature (operation)	-40 °C ... 125 °C (including heating up of contacts)
---------------------------------	--

## Standards and regulations

### Testing

Standards/regulations	PC: Fire protection in rail vehicles - requirement sets R22, R23, and R24 acc. to DIN EN 45545-2 (Risk level HL1 - HL3)
-----------------------	---

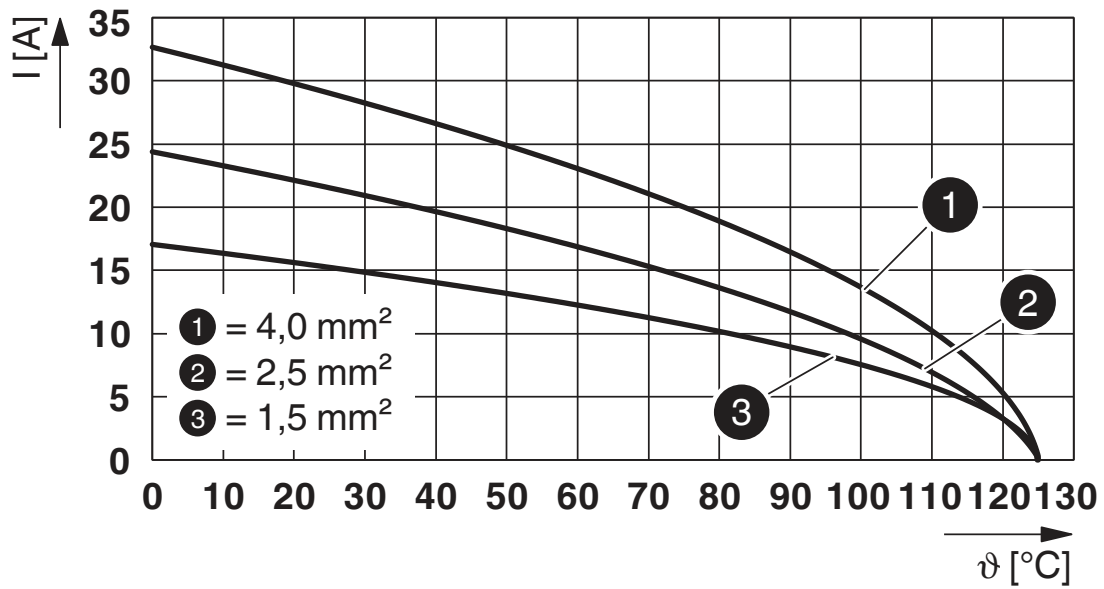
# HC-A16-I-CT-F - Contact insert

1585443

<https://www.phoenixcontact.com/us/products/1585443>

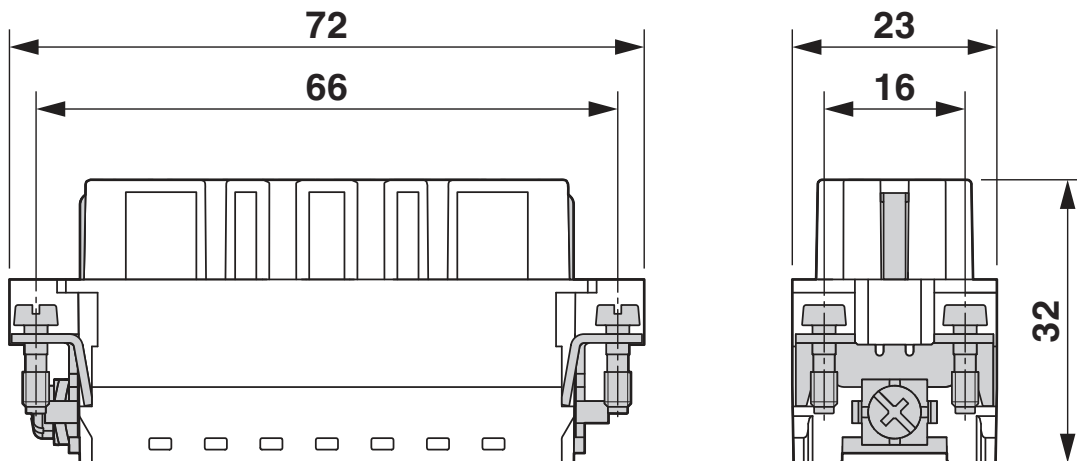
## Drawings

Diagram



Derating diagram

Dimensional drawing



Female insert

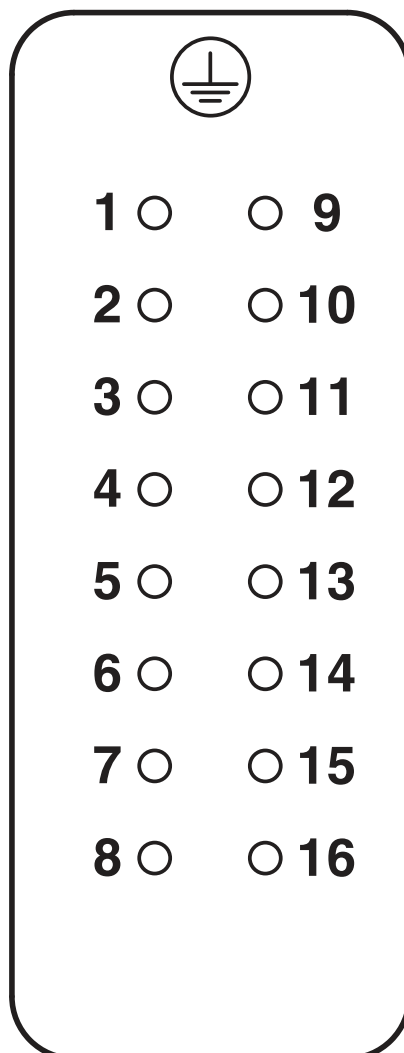
# HC-A16-I-CT-F - Contact insert

1585443

<https://www.phoenixcontact.com/us/products/1585443>



Schematic diagram



Connector pin assignment, connection side

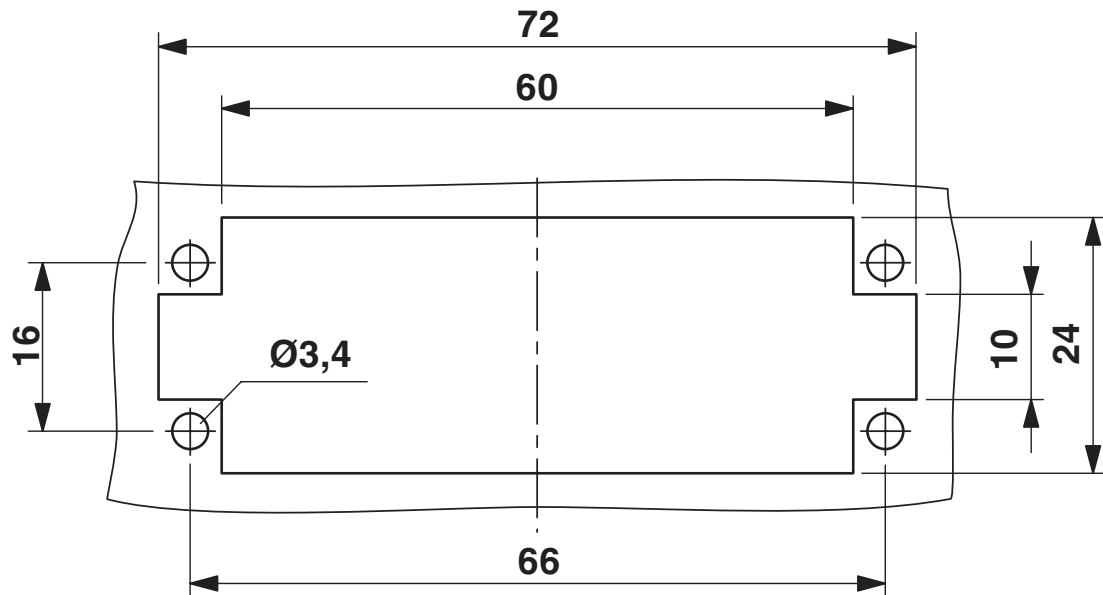
# HC-A16-I-CT-F - Contact insert



1585443

<https://www.phoenixcontact.com/us/products/1585443>

Dimensional drawing



Mounting cutout

# HC-A16-I-CT-F - Contact insert



1585443

<https://www.phoenixcontact.com/us/products/1585443>

## Approvals

To download certificates, visit the product detail page: <https://www.phoenixcontact.com/us/products/1585443>

### DNV

Approval ID: TAE000037S



### CSA

Approval ID: 013631\_6233\_01

	Nominal voltage $U_N$	Nominal current $I_N$	Cross section AWG	Cross section $\text{mm}^2$
	250 V	16 A	- 12	-



### EAC

Approval ID: RU C-DE.BL08.B.00511



### cULus Recognized

Approval ID: E468743

	Nominal voltage $U_N$	Nominal current $I_N$	Cross section AWG	Cross section $\text{mm}^2$
	250 V	16 A	- 12	-

# HC-A16-I-CT-F - Contact insert



1585443

<https://www.phoenixcontact.com/us/products/1585443>

## Classifications

### ECLASS

ECLASS-11.0	27440205
ECLASS-12.0	27440205
ECLASS-13.0	27440205

### ETIM

ETIM 8.0	EC000438
----------	----------

### UNSPSC

UNSPSC 21.0	39121500
-------------	----------



# HC-A16-I-CT-F - Contact insert



1585443

<https://www.phoenixcontact.com/us/products/1585443>

## Environmental product compliance

China RoHS	Environmentally friendly use period: unlimited = EFUP-e
	No hazardous substances above threshold values

# HC-A16-I-CT-F - Contact insert

1585443

<https://www.phoenixcontact.com/us/products/1585443>



## Accessories

### CP-HC-S - Coding profile

1410916

<https://www.phoenixcontact.com/us/products/1410916>

Coding profile, for contact inserts HC-BB... / HC-A10... / HC-A16...



---

### HC-CP-CK2.5-PL - Coding element

1095419

<https://www.phoenixcontact.com/us/products/1095419>

Dummy socket for contact carrier with turned CK 2,5-ED... socket contacts. For HC-A../HC-BB../HC-M... series contact inserts.



# HC-A16-I-CT-F - Contact insert

1585443

<https://www.phoenixcontact.com/us/products/1585443>



## HC-CB - Coding bolt

1772722

<https://www.phoenixcontact.com/us/products/1772722>



Coding pin, prevents mismatching of up to six connectors with an identical number of positions

---

## HC-CST - Coding element

1676857

<https://www.phoenixcontact.com/us/products/1676857>



Coding peg for coding up to 16 connectors

## HC-A16-I-CT-F - Contact insert

1585443

<https://www.phoenixcontact.com/us/products/1585443>



## HC-CBU - Coding element

1676860

<https://www.phoenixcontact.com/us/products/1676860>



Coding socket for coding up to 16 connectors

---

## HC-A-PES - Screw

1584868

<https://www.phoenixcontact.com/us/products/1584868>



PE screw for contact inserts of A series

# HC-A16-I-CT-F - Contact insert

1585443

<https://www.phoenixcontact.com/us/products/1585443>



## CK2,5-ED-0,50BU AG - Crimp contact

1663640

<https://www.phoenixcontact.com/us/products/1663640>



Crimp contact, contact diameter: 2.5 mm, turned, Socket, contact material: Copper alloy, contact surface: silver-plated, connection cross section: 0.5 mm<sup>2</sup> ... 0.5 mm<sup>2</sup>, AWG 20

---

## CK2,5-ED-0,75BU AG - Crimp contact

1663653

<https://www.phoenixcontact.com/us/products/1663653>



Crimp contact, contact diameter: 2.5 mm, turned, Socket, contact material: Copper alloy, contact surface: silver-plated, connection cross section: 0.75 mm<sup>2</sup> ... 0.75 mm<sup>2</sup>, AWG 18

# HC-A16-I-CT-F - Contact insert

1585443

<https://www.phoenixcontact.com/us/products/1585443>



## CK2,5-ED-1,00BU AG - Crimp contact

1663666

<https://www.phoenixcontact.com/us/products/1663666>



Crimp contact, contact diameter: 2.5 mm, turned, Socket, contact material: Copper alloy, contact surface: silver-plated, connection cross section: 0.75 mm<sup>2</sup> ... 1 mm<sup>2</sup>, AWG 18

---

## CK2,5-ED-1,50BU AG - Crimp contact

1663679

<https://www.phoenixcontact.com/us/products/1663679>



Crimp contact, contact diameter: 2.5 mm, turned, Socket, contact material: Copper alloy, contact surface: silver-plated, connection cross section: 1.5 mm<sup>2</sup> ... 1.5 mm<sup>2</sup>, AWG 16

# HC-A16-I-CT-F - Contact insert

1585443

<https://www.phoenixcontact.com/us/products/1585443>



## CK2,5-ED-2,50BU AG - Crimp contact

1663682

<https://www.phoenixcontact.com/us/products/1663682>



Crimp contact, contact diameter: 2.5 mm, turned, Socket, contact material: Copper alloy, contact surface: silver-plated, connection cross section: 2.5 mm<sup>2</sup> ... 2.5 mm<sup>2</sup>, AWG 14

---

## CK2,5-ED-3,00BU AG - Crimp contact

1663695

<https://www.phoenixcontact.com/us/products/1663695>



Crimp contact, contact diameter: 2.5 mm, turned, Socket, contact material: Copper alloy, contact surface: silver-plated, connection cross section: 3 mm<sup>2</sup> ... 3 mm<sup>2</sup>, AWG 12

# HC-A16-I-CT-F - Contact insert

1585443

<https://www.phoenixcontact.com/us/products/1585443>



## CK2,5-ED-4,00BU AG - Crimp contact

1663705

<https://www.phoenixcontact.com/us/products/1663705>



Crimp contact, contact diameter: 2.5 mm, turned, Socket, contact material: Copper alloy, contact surface: silver-plated, connection cross section: 4 mm<sup>2</sup> ... 4 mm<sup>2</sup>, AWG 12

---

## CK2,5-ED-0,50F AG - Crimp contact

1273612

<https://www.phoenixcontact.com/us/products/1273612>



Crimp contact, contact diameter: 2.5 mm, turned, Socket, contact material: Copper alloy, lead-free, contact surface: silver-plated, connection cross section: 0.5 mm<sup>2</sup> ... 0.5 mm<sup>2</sup>, AWG 20



# HC-A16-I-CT-F - Contact insert

1585443

<https://www.phoenixcontact.com/us/products/1585443>



## CK2,5-ED-0,75F AG - Crimp contact

1273611

<https://www.phoenixcontact.com/us/products/1273611>



Crimp contact, contact diameter: 2.5 mm, turned, Socket, contact material: Copper alloy, lead-free, contact surface: silver-plated, connection cross section: 0.75 mm<sup>2</sup> ... 0.75 mm<sup>2</sup>, AWG 18

---

## CK2,5-ED-1,00F AG - Crimp contact

1273610

<https://www.phoenixcontact.com/us/products/1273610>



Crimp contact, contact diameter: 2.5 mm, turned, Socket, contact material: Copper alloy, lead-free, contact surface: silver-plated, connection cross section: 1 mm<sup>2</sup> ... 1 mm<sup>2</sup>, AWG 18

# HC-A16-I-CT-F - Contact insert

1585443

<https://www.phoenixcontact.com/us/products/1585443>



## CK2,5-ED-1,50F AG - Crimp contact

1273609

<https://www.phoenixcontact.com/us/products/1273609>



Crimp contact, contact diameter: 2.5 mm, turned, Socket, contact material: Copper alloy, lead-free, contact surface: silver-plated, connection cross section: 1.5 mm<sup>2</sup> ... 1.5 mm<sup>2</sup>, AWG 16

---

## CK2,5-ED-2,50F AG - Crimp contact

1273607

<https://www.phoenixcontact.com/us/products/1273607>



Crimp contact, contact diameter: 2.5 mm, turned, Socket, contact material: Copper alloy, lead-free, contact surface: silver-plated, connection cross section: 2.5 mm<sup>2</sup> ... 2.5 mm<sup>2</sup>, AWG 14

# HC-A16-I-CT-F - Contact insert

1585443

<https://www.phoenixcontact.com/us/products/1585443>



## CK2,5-ED-3,00F AG - Crimp contact

1273606

<https://www.phoenixcontact.com/us/products/1273606>



Crimp contact, contact diameter: 2.5 mm, turned, Socket, contact material: Copper alloy, lead-free, contact surface: silver-plated, connection cross section: 3 mm<sup>2</sup> ... 3 mm<sup>2</sup>, AWG 12

---

## CK2,5-ED-4,00F AG - Crimp contact

1273604

<https://www.phoenixcontact.com/us/products/1273604>



Crimp contact, contact diameter: 2.5 mm, turned, Socket, contact material: Copper alloy, lead-free, contact surface: silver-plated, connection cross section: 4 mm<sup>2</sup> ... 4 mm<sup>2</sup>, AWG 12

# HC-A16-I-CT-F - Contact insert

1585443

<https://www.phoenixcontact.com/us/products/1585443>



## CK2,5-ED-0,37BU AU - Crimp contact

1585647

<https://www.phoenixcontact.com/us/products/1585647>



Crimp contact, contact diameter: 2.5 mm, turned, Socket, contact material: Copper alloy, contact surface: gold-plated, connection cross section: 0.14 mm<sup>2</sup> ... 0.37 mm<sup>2</sup>, AWG 22 ... 26

---

## CK2,5-ED-0,50BU AU - Crimp contact

1674859

<https://www.phoenixcontact.com/us/products/1674859>



Crimp contact, contact diameter: 2.5 mm, turned, Socket, contact material: Copper alloy, contact surface: gold-plated, connection cross section: 0.5 mm<sup>2</sup> ... 0.5 mm<sup>2</sup>, AWG 20

# HC-A16-I-CT-F - Contact insert

1585443

<https://www.phoenixcontact.com/us/products/1585443>



## CK2,5-ED-1,00BU AU - Crimp contact

1674833

<https://www.phoenixcontact.com/us/products/1674833>



Crimp contact, contact diameter: 2.5 mm, turned, Socket, contact material: Copper alloy, contact surface: gold-plated, connection cross section: 0.75 mm<sup>2</sup> ... 1 mm<sup>2</sup>, AWG 18

---

## CK2,5-ED-1,50BU AU - Crimp contact

1674820

<https://www.phoenixcontact.com/us/products/1674820>



Crimp contact, contact diameter: 2.5 mm, turned, Socket, contact material: Copper alloy, contact surface: gold-plated, connection cross section: 1.5 mm<sup>2</sup> ... 1.5 mm<sup>2</sup>, AWG 16

# HC-A16-I-CT-F - Contact insert

1585443

<https://www.phoenixcontact.com/us/products/1585443>



## CK2,5-ED-2,50BU AU - Crimp contact

1674862

<https://www.phoenixcontact.com/us/products/1674862>



Crimp contact, contact diameter: 2.5 mm, turned, Socket, contact material: Copper alloy, contact surface: gold-plated, connection cross section: 2.5 mm<sup>2</sup> ... 2.5 mm<sup>2</sup>, AWG 14

---

## CK2,5-ED-4,00BU AU - Crimp contact

1674846

<https://www.phoenixcontact.com/us/products/1674846>



Crimp contact, contact diameter: 2.5 mm, turned, Socket, contact material: Copper alloy, contact surface: gold-plated, connection cross section: 4 mm<sup>2</sup> ... 4 mm<sup>2</sup>, AWG 12

# HC-A16-I-CT-F - Contact insert

1585443

<https://www.phoenixcontact.com/us/products/1585443>



## CK2,5-ED-0,37F AU - Crimp contact

1273567

<https://www.phoenixcontact.com/us/products/1273567>



Crimp contact, contact diameter: 2.5 mm, turned, Socket, contact material: Copper alloy, lead-free, contact surface: gold-plated, connection cross section: 0.14 mm<sup>2</sup> ... 0.37 mm<sup>2</sup>, AWG 22 ... 26

---

## CK2,5-ED-0,50F AU - Crimp contact

1273564

<https://www.phoenixcontact.com/us/products/1273564>



Crimp contact, contact diameter: 2.5 mm, turned, Socket, contact material: Copper alloy, lead-free, contact surface: gold-plated, connection cross section: 0.5 mm<sup>2</sup> ... 0.5 mm<sup>2</sup>, AWG 20

# HC-A16-I-CT-F - Contact insert

1585443

<https://www.phoenixcontact.com/us/products/1585443>



## CK2,5-ED-1,00F AU - Crimp contact

1271379

<https://www.phoenixcontact.com/us/products/1271379>



Crimp contact, contact diameter: 2.5 mm, turned, Socket, contact material: Copper alloy, lead-free, contact surface: gold-plated, connection cross section: 1 mm<sup>2</sup> ... 1 mm<sup>2</sup>, AWG 18

---

## CK2,5-ED-1,50F AU - Crimp contact

1271375

<https://www.phoenixcontact.com/us/products/1271375>



Crimp contact, contact diameter: 2.5 mm, turned, Socket, contact material: Copper alloy, lead-free, contact surface: gold-plated, connection cross section: 1.5 mm<sup>2</sup> ... 1.5 mm<sup>2</sup>, AWG 16



# HC-A16-I-CT-F - Contact insert

1585443

<https://www.phoenixcontact.com/us/products/1585443>



## CK2,5-ED-2,50F AU - Crimp contact

1271376

<https://www.phoenixcontact.com/us/products/1271376>



Crimp contact, contact diameter: 2.5 mm, turned, Socket, contact material: Copper alloy, lead-free, contact surface: gold-plated, connection cross section: 2.5 mm<sup>2</sup> ... 2.5 mm<sup>2</sup>, AWG 14

---

## CK2,5-ED-4,00F AU - Crimp contact

1271372

<https://www.phoenixcontact.com/us/products/1271372>



Crimp contact, contact diameter: 2.5 mm, turned, Socket, contact material: Copper alloy, lead-free, contact surface: gold-plated, connection cross section: 4 mm<sup>2</sup> ... 4 mm<sup>2</sup>, AWG 12

## HC-A16-I-CT-F - Contact insert

1585443

<https://www.phoenixcontact.com/us/products/1585443>



## HC-A16-I-CT-M - Contact insert

1585430

<https://www.phoenixcontact.com/us/products/1585430>

Contact insert, number of positions: 16+PE, size: D25, number of connections per position: 1, Pin, Crimp connection, 250 V, 16 A, 0.5 mm<sup>2</sup> ... 4 mm<sup>2</sup>



---

## HC-A-PE-PT - Adapter

1054712

<https://www.phoenixcontact.com/us/products/1054712>

PE adapter with PT connection, for 1 PE connection, for HC-A10 / HC-A16 / HC-D15 / HC-D25 series contact inserts



# HC-A16-I-CT-F - Contact insert

1585443

<https://www.phoenixcontact.com/us/products/1585443>



## UNIFOX MT-CK 1.6/2.5 - Assembly tool

1089092

<https://www.phoenixcontact.com/us/products/1089092>

Assembly tool, for CK 1.6... crimp contacts for small conductor cross sections



---

## UNIFOX RT-CK 2.5 - Contact removal tool

1072067

<https://www.phoenixcontact.com/us/products/1072067>

Contact removal tool, for turned CK 2,5... contacts



---

Phoenix Contact 2023 © - all rights reserved  
<https://www.phoenixcontact.com>

Phoenix Contact USA  
586 Fulling Mill Road  
Middletown, PA 17057, United States  
(+717) 944-1300  
[info@phoenixcon.com](mailto:info@phoenixcon.com)