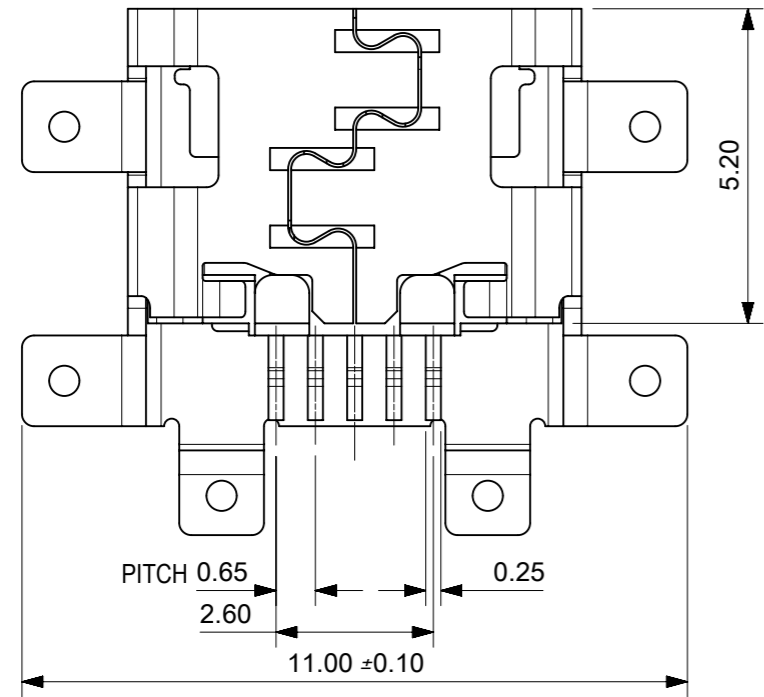
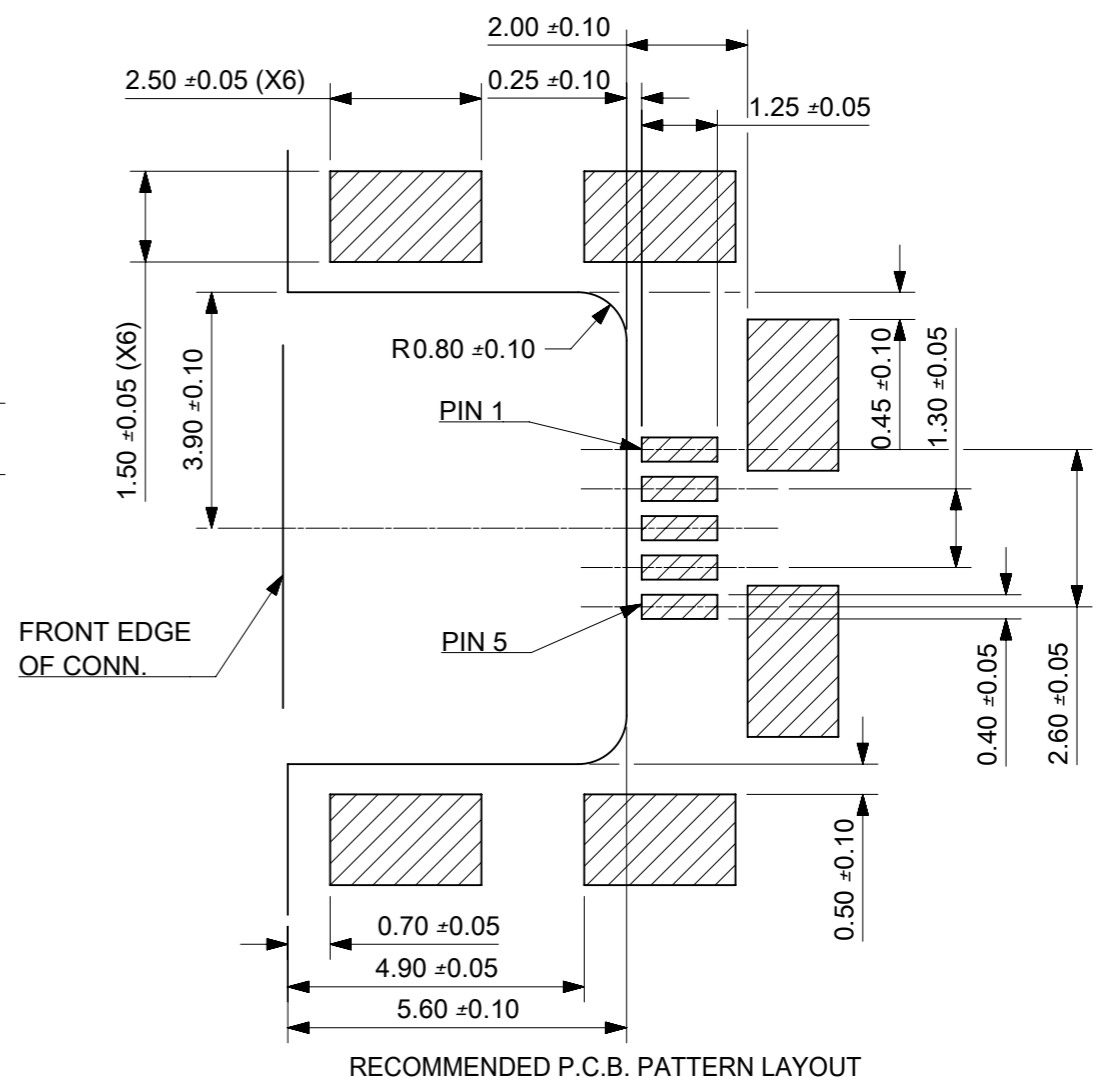
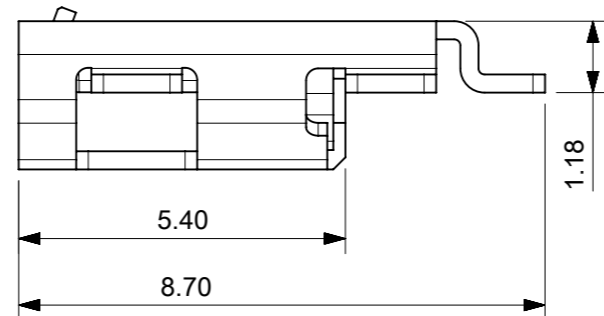
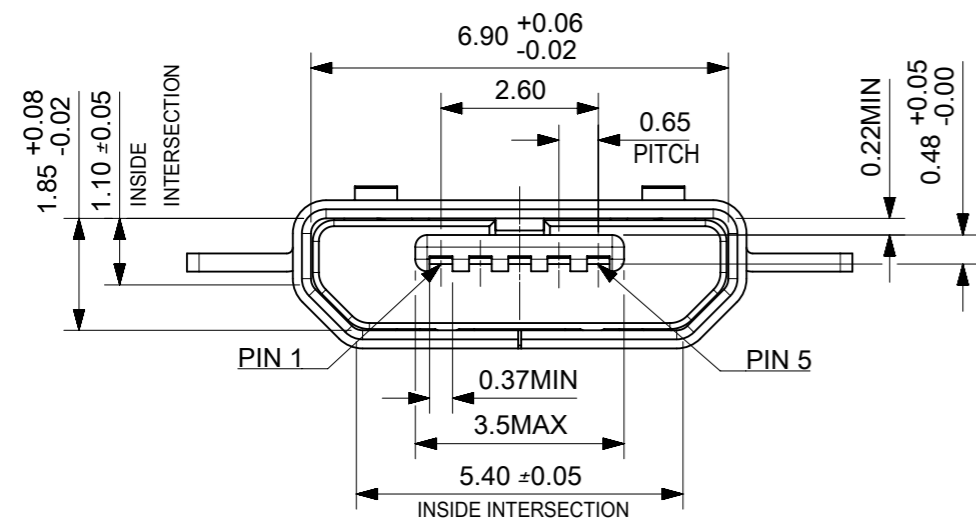


- NOTES:
- MATERIAL:
    - HOUSING: LCP, BLACK, UL94V-0;
    - TERMINAL: COPPER ALLOY, THICKNESS: 0.15mm;
    - SHELL: STAINLESS STEEL, THICKNESS: 0.30mm.
  - PLATING:
    - TERMINAL:
      - CONTACT AREA: GOLD FLASH OVER MINIMUM 0.75 MICRON Pd/Ni;
      - SOLDER TAIL AREA: GOLD FLASH;
      - UNDER PLATING: NICKEL 2.0 MICRON MINIMUM.
    - SHELL: MATTE TIN 3.8 MICRON MINIMUM;
    - UNDER PLATING: NICKEL 1.27 MICRON MINIMUM.
  - TAIL & NAIL COPLANARITY 0.08mm MAXIMUM.
  - PRODUCT SPECIFICATION: PS-47642-001.
  - PACKAGING SPECIFICATION: PK-47491-001.



THIS DRAWING CONTAINS INFORMATION THAT IS PROPRIETARY TO MOLEX ELECTRONIC TECHNOLOGIES, LLC AND SHOULD NOT BE USED WITHOUT WRITTEN PERMISSION		CURRENT REV DESC: REVISED		<b>molex</b>	
DIMENSION UNITS	SCALE				
mm	NTS				
GENERAL TOLERANCES (UNLESS SPECIFIED)					
ANGULAR TOL	± 3.0°				
4 PLACES	±	EC NO: 616089	2018/12/04		
3 PLACES	±	DRWN: MGLEI	2019/04/25		
2 PLACES	± 0.25	CHK'D: XQZHANG	2019/04/25		
1 PLACE	± 0.25	APPR: XQZHANG	2019/04/25		
0 PLACES	±	INITIAL REVISION:		PRODUCT CUSTOMER DRAWING	
DRAFT WHERE APPLICABLE MUST REMAIN WITHIN DIMENSIONS		DRWN: XQZHANG	2012/05/31	DOCUMENT NUMBER	DOC TYPE
THIRD ANGLE PROJECTION		APPR: AYIN	2012/06/11	SD-47491-101	PSD
DRAWING		SERIES		DOC PART	REVISION
A3-SIZE		47491		001	C
MATERIAL NUMBER		CUSTOMER		SHEET NUMBER	
47491-1001		GENERAL MARKET		1 OF 1	