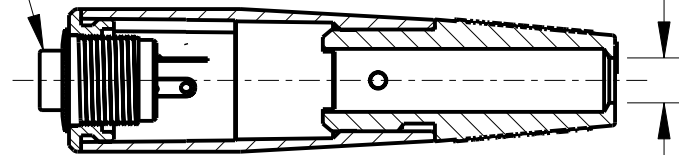


PART NUMBER	BUTTON COLOR
ED903	RED
ED913	BLACK

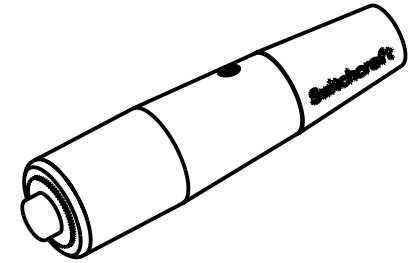
NOTES:

- MATERIALS:
 PUSHBUTTON - THERMOPLASTIC, SEE TABLE FOR COLOR
 SWITCH HOUSING & ADAPTER - BRASS, NICKEL PLATED
 SWITCH TERMINALS - BRASS, SILVER PLATED
 SWITCH SPRING - STAINLESS STEEL
 SWITCH INSULATORS - PHENOLIC
 HANDLE - ZINC ALLOY, NICKEL PLATED
 FLEX RELIEF - THERMOPLASTIC RUBBER, BLACK
 CLAMP PLATES - STAINLESS STEEL
 FLEX RELIEF SCREWS - STEEL, NICKEL PLATED
- THESE PRODUCTS ARE RoHS COMPLIANT.

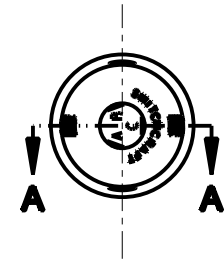
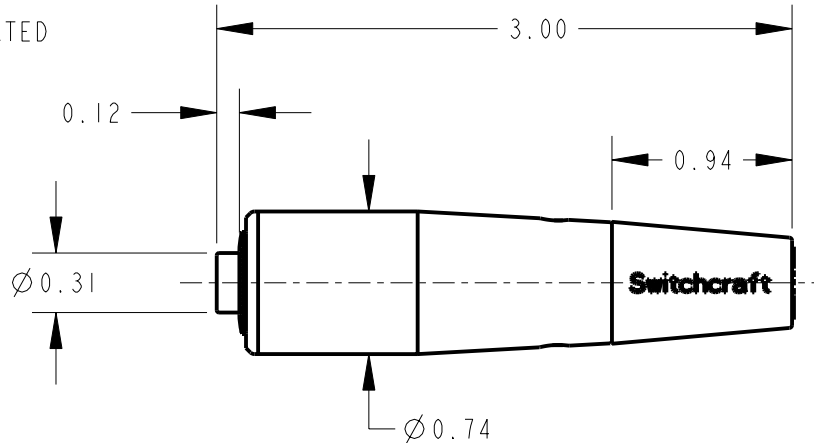
BUTTON COLOR
SEE TABLE



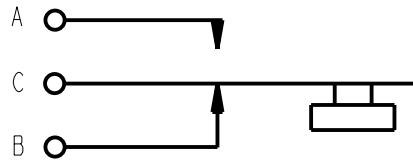
SECTION A-A



Ø 0.23
ACCEPTS CABLE
UP TO Ø 0.30



CUSTOMER DRAWING



SCHEMATIC

					★ STAR SYMBOL DENOTES CRITICAL DIMENSION	THIS DRAWING DESCRIBES A DESIGN CONSIDERED PROPRIETARY IN NATURE, DEVELOPED AND MANUFACTURED BY SWITCHCRAFT INC. AND IS RELEASED ON A CONFIDENTIAL BASIS FOR IDENTIFICATION PURPOSES ONLY.					
					UNLESS OTHERWISE SPECIFIED	SIZE	WIDTH	MULT	LBS/M	TEMPER	
					1. ALL DIMENSIONS IN INCHES - TWO PLACE DECIMALS ±0.01 - THREE PLACE DECIMALS ±0.005 - ANGLES ±1° - ALL DIA. CONCENTRIC WITHIN 0.005 T.I.R.	FINISH		MATERIAL			
					2. FEATURES ON THE SAME CENTERLINE MUST BE ALIGNED WITHIN ±0.002	SPEC No.		SPEC No.			
					3. REMOVE ALL BURRS	FIRST USED ON		SCALE		Switchcraft®	
						1:1					
G	21131	8-21-96	TJK	TJK		DATE DRAWN	BY	CHKD	APVD	SHEET OF	
						11-May-10	WR	JS 11-28-78	RV 11-28-78		
REV	ECO NUMBER	DATE	BY	APVD		NAME		PART No.		REV	
					DO NOT SCALE DRAWING	CORD SWITCH, RoHS		ED903 & ED913		G	