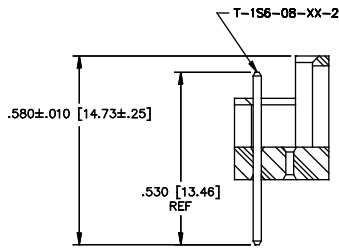


REVISION N

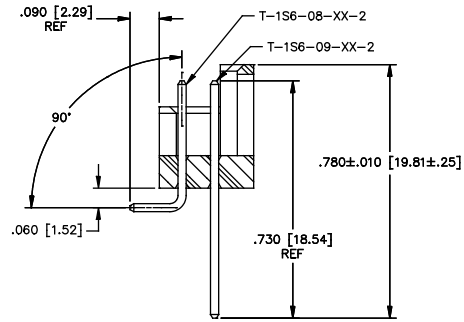
DIMENSIONS ARE IN INCHES		UNLESS OTHERWISE NOTED		TOLERANCES ARE:	
ONE PLACE DECIMALS ±.1[.25]	THREE PLACE DECIMALS ±.005 [.13]	ANGLES ± 2°			
TWO PLACE DECIMALS ±.01[.3]	FOUR PLACE DECIMALS ±.002 [.05]				

TITLE:  
.100 x .100 RIGHT ANGLE  
TERMINAL STRIP w/  
MOLDED IN END SHROUDS

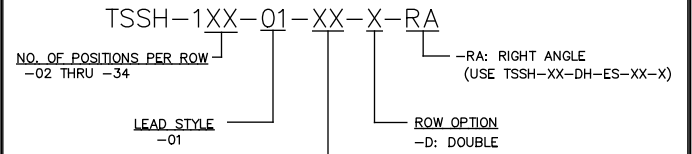
DWG NO:  
TSSH-1XX-01-XX-X-RA  
SHEET 1 OF 1



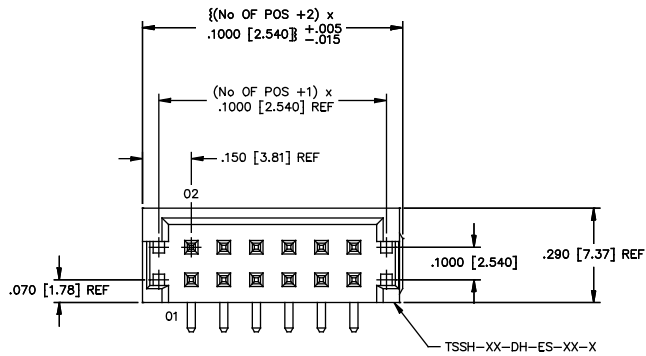
IN-PROCESS 1



IN-PROCESS 2

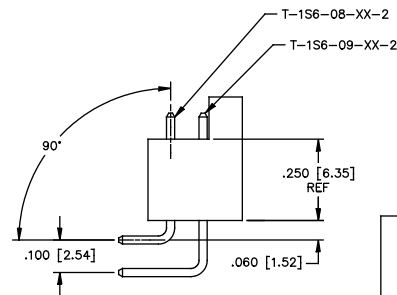
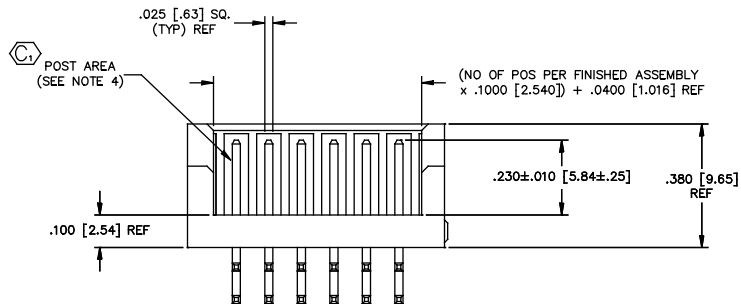


- PLATING SPEC.
- T: MATTE TIN CONTACT AND TAIL
  - S: SELECTIVE, 30 Au / 50 Ni MIN ON CONTACT, MATTE TIN TAIL
  - L: LIGHT SELECTIVE, 10 Au / 50 Ni MIN ON CONTACT, MATTE TIN TAIL
  - F: FLASH SELECTIVE, 3 Au / 50 Ni MIN ON CONTACT, MATTE TIN TAIL
  - H: HEAVY GOLD, 30 Au / 50 Ni MIN ON CONTACT, 3 Au / 50 Ni MIN ON TAIL
  - G: GOLD, 10 Au / 50 Ni MIN ON CONTACT, 3 Au / 50 Ni MIN ON TAIL
  - TM: MATTE TIN CONTACT AND TAIL
  - FM: FLASH SELECTIVE, 3 Au / 50 Ni MIN ON CONTACT, MATTE TIN TAIL
  - SM: SELECTIVE, 30 Au / 50 Ni MIN ON CONTACT, MATTE TIN TAIL
  - LM: LIGHT SELECTIVE, 10 Au / 50 Ni MIN ON CONTACT, MATTE TIN TAIL

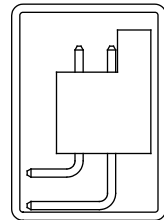


NOTES:

1. Ⓢ REPRESENTS A CRITICAL DIMENSION.
2. MAX FLASH ALLOWED: .010 [.25].
3. PUSHOUT FORCE: 1.5 LB. MINIMUM.
4. NO BANDOLIER MARKS ARE ALLOWED IN THE POST AREA.
5. INSULATOR MATERIAL: BLACK, LCP, UL 94 VO



PACKAGING VIEW



PACKAGING TABLE

ROW OPTION	PACKAGING TUBE	PLUG
-RA	PT-1-24-01-52	TP-13

\* PROPRIETARY NOTE \*

THIS DOCUMENT CONTAINS CONFIDENTIAL AND PROPRIETARY INFORMATION AND ALL DESIGN, MANUFACTURING, REPRODUCTION, USE, PATENT RIGHTS AND SALES RIGHTS ARE EXPRESSLY RESERVED BY SAMTEC, INC. THIS DOCUMENT SHALL NOT BE DISCLOSED, IN WHOLE OR PART, TO ANY UNAUTHORIZED PERSON OR ENTITY NOR REPRODUCED, TRANSMITTED OR INCORPORATED IN ANY OTHER PROJECT IN ANY MANNER WITHOUT THE EXPRESS WRITTEN CONSENT OF SAMTEC, INC.

**samtec**

520 PARK EAST BLVD. NEW ALBANY, INDIANA 47150  
PHONE (812) 944-6733 P.O. BOX 1147  
CODE 55322

MADE BY:  
BRATCHER 1-28-00

TSSH-1XX-01-XX-X-RA  
SHEET 1 OF 1