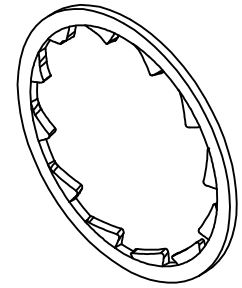
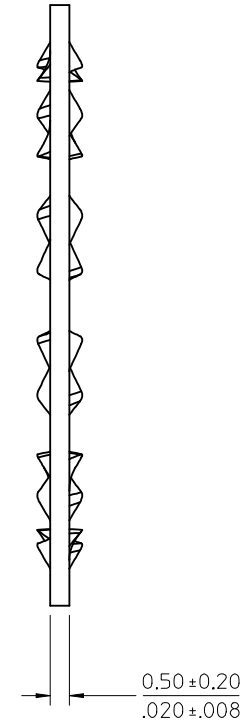
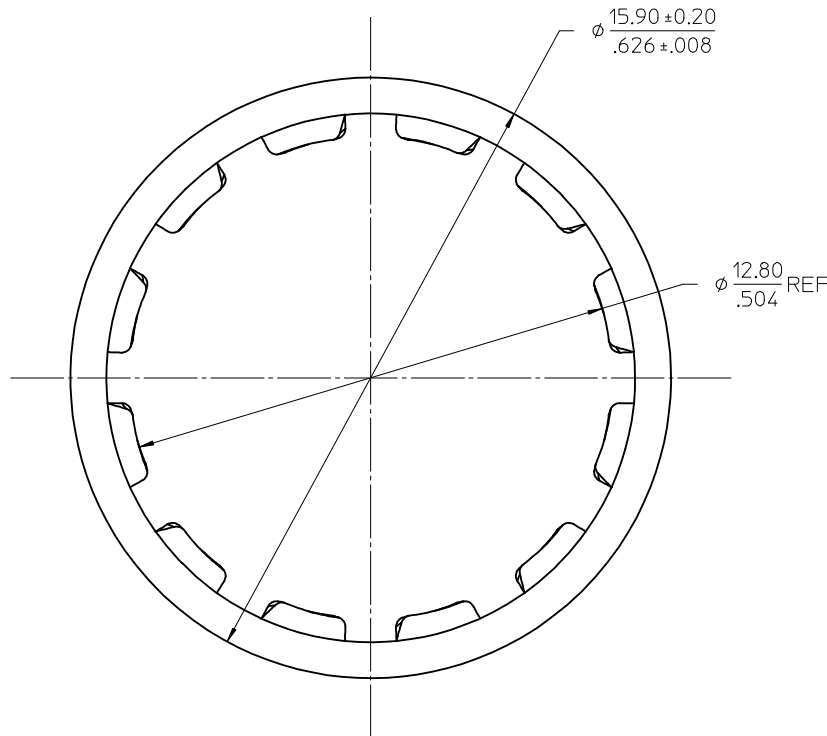


MATERIALS AND FINISHES

LOCK WASHER: PHOSPHOR BRONZE  
PLATED NICKEL



PART # 89610-0104

CHG: ADD TOLERANCE  
PER Rf15-E187  
EC NO: URF2015-0597  
DRWN: CME102 2015/04/28  
CHKD:  
APPR: YCHENG 2015/05/06

REV	DESCRIPTION
A1	

QUALITY SYMBOLS	
	= 0
	= 0
	= 0

GENERAL TOLERANCES (UNLESS SPECIFIED)	
	mm
	INCH
4 PLACES	± .005
3 PLACES	± .004
2 PLACES	± .003
1 PLACE	± .002
0 PLACE	±

DIMENSION STYLE		SCALE	DESIGN UNITS	THIRD ANGLE PROJECTION
MM/IN			METRIC	
DRAWN BY	DATE	TITLE		
AROBERTSON	2010/01/08	LOCKWASHER M-LW		
CHECKED BY	DATE	<b>molex</b>		
SSS				
APPROVED BY	DATE	MATERIAL NO.	DOCUMENT NO.	SHEET NO.
		896100104	SD-89610-0104	1 OF 1
DRAFT WHERE APPLICABLE MUST REMAIN WITHIN DIMENSIONS				
THIS DRAWING CONTAINS INFORMATION THAT IS PROPRIETARY TO MOLEX INCORPORATED AND SHOULD NOT BE USED WITHOUT WRITTEN PERMISSION				