

| MATERIAL NO. | ENGINEERING NO. | FINISHED LENGTH      |
|--------------|-----------------|----------------------|
| 1300250404   | DNF11A-M003     | 11.8 IN (0.3M)       |
| 1300250435   | DNF11A-M300     | 98 FT 5.1 IN (30M)   |
| 1300250579   | DNF11A-M600     | 196 FT 10.2 IN (60M) |

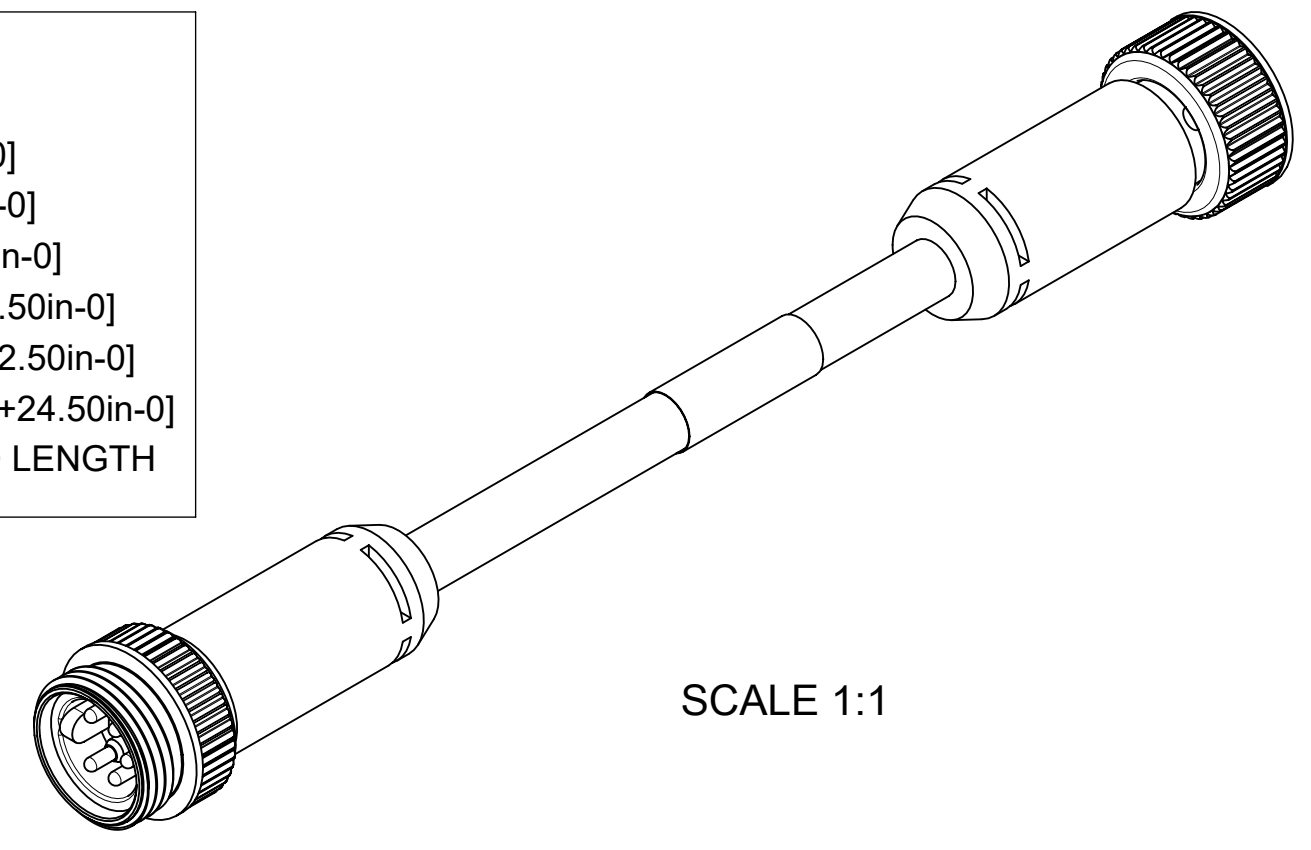
**PART NO. MATRIX**  
DNF11A-M010

FINISHED LENGTH  
M005= 0.5 METER  
M010= 1 METER  
M100= 10 METER

**CABLE LENGTH TOLERANCES**

|                          |                         |
|--------------------------|-------------------------|
| <.3M [1FT]:              | +19mm-0 [ +.75in-0]     |
| .3 - .9M [1 - 3FT]:      | +44.5mm-0 [+1.75in-0]   |
| .9 - 1.8M [3 - 6FT]:     | +55.6mm-0 [+2.19in-0]   |
| 1.8 - 3.7M [6 - 12FT]:   | +88.9mm-0 [+3.50in-0]   |
| 3.7 - 7.3M [12 - 24FT]:  | +165.1mm-0 [+6.50in-0]  |
| 7.3-14.6M [24 - 48FT]:   | +317.5mm-0 [+12.50in-0] |
| 14.6 - 30.5M [48-100FT]: | +622.3mm-0 [+24.50in-0] |
| OVER 30M [100FT]         | +2% OF FINISHED LENGTH  |

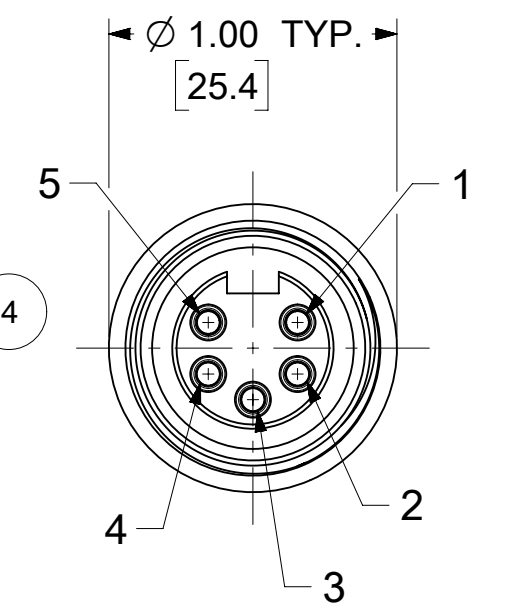
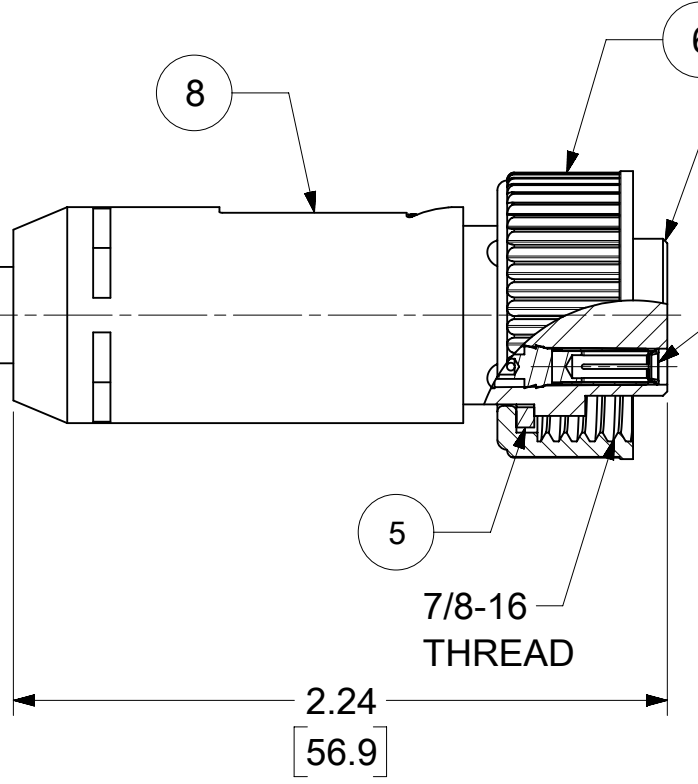
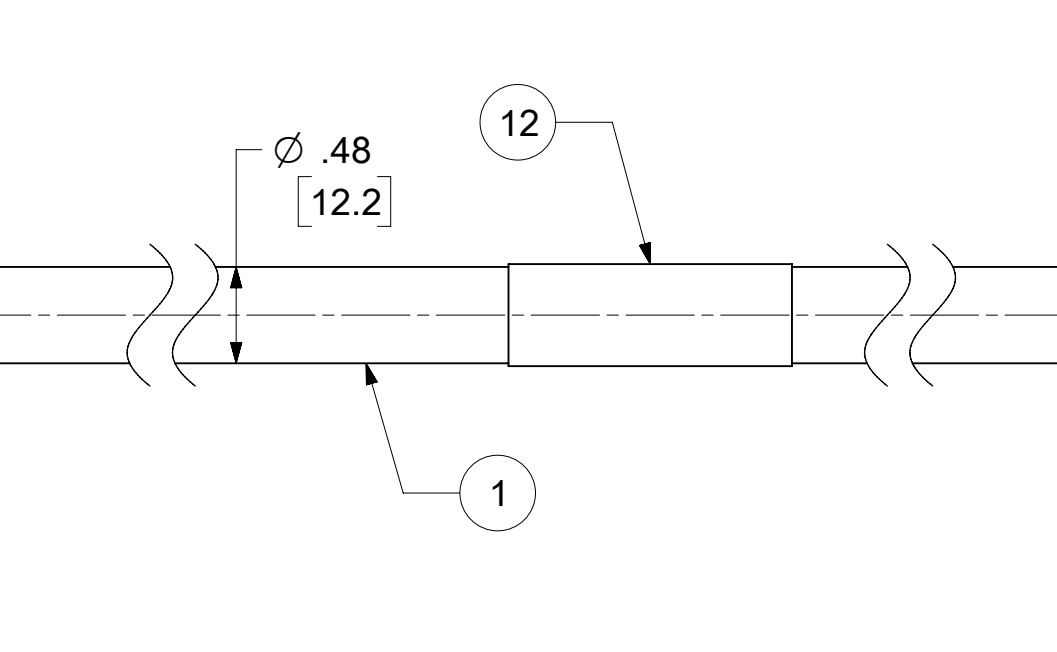
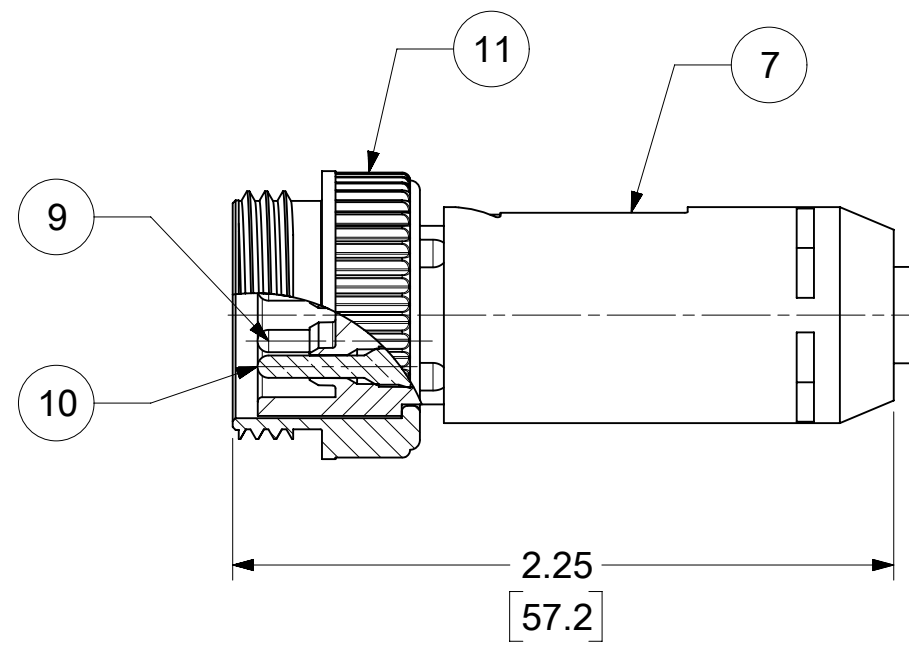
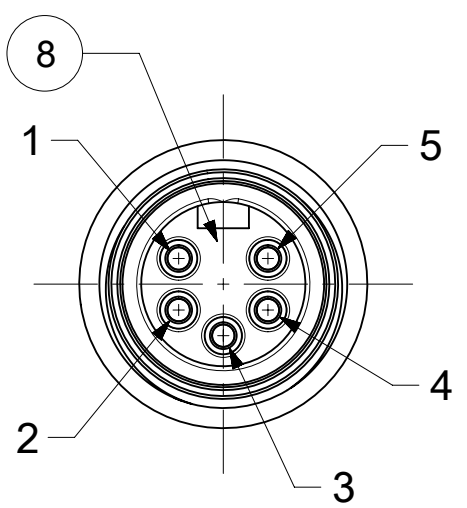
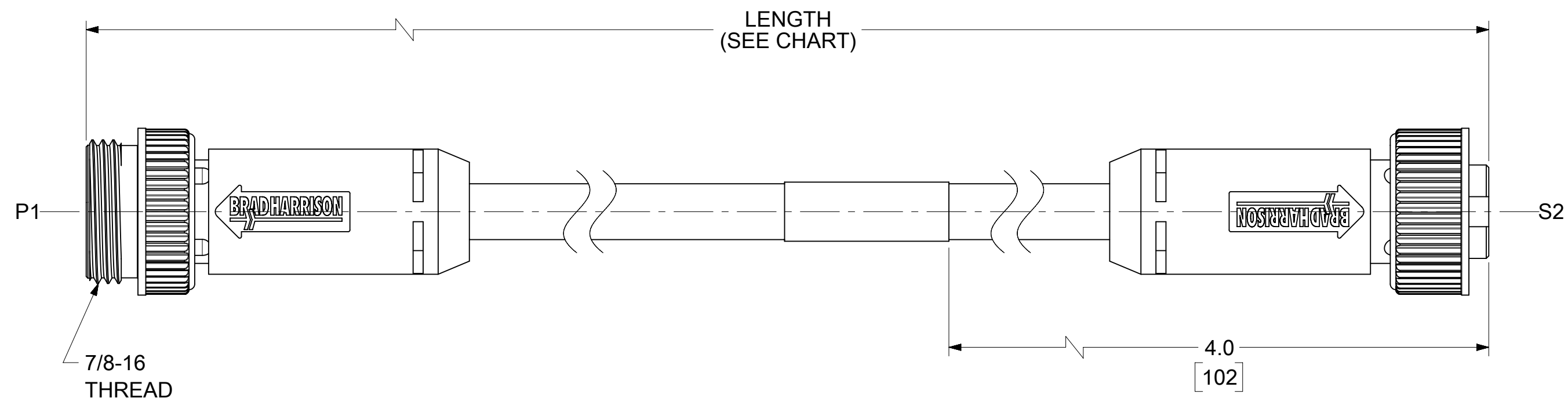
- NOTES:**
- MATERIAL: AS NOTED
  - FINISH: AS NOTED
  - ELECTRICAL SPECIFICATIONS  
VOLTAGE RATING: 300V PER IEC60664  
300V PER UL2238  
CURRENT RATING: 8A
  - TEMP RANGE: -20°C TO +80°C
  - PROTECTION: IP67 (WHEN MATED)
  - CSA CERTIFIED FILE: LR6837
  - ALL DIMS ARE FOR REFERENCE UNLESS TOLERANCED OR NOTED OTHERWISE



SCALE 1:1

**WIRING DIAGRAM**

| P1 |             | S2 |
|----|-------------|----|
| 1  | DRAIN       | 1  |
| 2  | RED +V      | 2  |
| 3  | BLACK -V    | 3  |
| 4  | WHITE CAN H | 4  |
| 5  | BLUE CAN L  | 5  |



|      |  |               |                       |
|------|--|---------------|-----------------------|
| 12   | LABEL                                    | VINYL         | BLACK/YELLOW          |
| 11   | COUPLING NUT, MALE                       | ZINC DIE CAST | BLACK                 |
| 10   | CONTACT PIN, 18 AWG                      | COPPER ALLOY  | SELECTIVE GOLD/NICKEL |
| 9    | CONTACT PIN, 16 AWG                      | COPPER ALLOY  | SELECTIVE GOLD/NICKEL |
| 8    | INSERT, MALE, 5 POLE                     | TPE           | BLACK                 |
| 7    | OVERMOLD                                 | TPE           | GRAY                  |
| 6    | COUPLING NUT, FEMALE                     | ZINC DIE CAST | BLACK                 |
| 5    | FRICION RING                             | NYLON         | WHITE                 |
| 4    | CONTACT SOCKET, 18 AWG                   | COPPER ALLOY  | SELECTIVE GOLD/NICKEL |
| 3    | CONTACT SOCKET, 16 AWG                   | COPPER ALLOY  | SELECTIVE GOLD/NICKEL |
| 2    | INSERT, FEMALE, 5 POLE                   | TPE           | BLACK                 |
| 1    | CABLE - FLEX, DEV-NET, TRUNK, 18/2, 15/2 | TPE JACKET    | GRAY                  |
| ITEM | DESCRIPTION                              | MATERIAL      | FINISH                |

REF. 3D MODEL 1300250408 PDM

THIS DRAWING CONTAINS INFORMATION THAT IS PROPRIETARY TO MOLEX ELECTRONIC TECHNOLOGIES, LLC AND SHOULD NOT BE USED WITHOUT WRITTEN PERMISSION

FUNCTIONAL SYMBOLS: FA=0, FC=0, FP=0

DIMENSION UNITS: INCH/MM, SCALE: 1.5:1

GENERAL TOLERANCES (UNLESS SPECIFIED): 4 PLACES ±, 3 PLACES ±, 2 PLACES ±, 1 PLACE ±, 0 PLACES ±

ANGULAR TOL: ± °

DRAFT WHERE APPLICABLE MUST REMAIN WITHIN DIMENSIONS

THIRD ANGLE PROJECTION

DRAWING: C-SIZE, SERIES: 130025

CURRENT REV DESC: INSERTS WERE GRAY

EC NO: 724806  
DRWN: RSTONE  
CHK'D: MZIELINSKI  
APPR: BWOODMAN

INITIAL REVISION:  
DRWN: BRUPERT  
APPR: JFMURPHY

2022/10/14  
2022/10/14  
2022/10/21

2009/07/17  
2009/07/20

MOLEX

MINI-CHANGE CORDSET, A SIZE, 5 POLE MALE-FEMALE, STRAIGHT, SINGLE KEY, 15/18 AWG DEV-NET TRUNK CABLE

PRODUCT CUSTOMER DRAWING

DOCUMENT NUMBER: SD-130025-015, DOC TYPE: PSD, DOC PART: 001, REVISION: D

MATERIAL NUMBER: SEE TABLE, CUSTOMER: GENERAL MARKET, SHEET NUMBER: 1 OF 1