

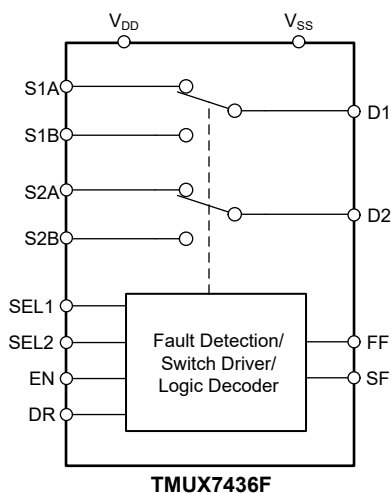
TMUX7436F ± 60 V Fault-Protected, Dual 2:1 Multiplexer With Latch-Up Immunity and 1.8 V Logic

1 Features

- Wide supply voltage range:
 - Single supply: 8 V to 44 V
 - Dual supply: ± 5 V to ± 22 V
- Integrated fault protection:
 - Overvoltage protection, source to supplies or source to drain: ± 85 V
 - Overvoltage protection: ± 60 V
 - Powered-off protection: ± 60 V
 - Interrupt flags to indicate fault status
 - Output open circuited during fault
- Latch-up immunity by device construction
- 6 kV human body model (HBM) ESD rating
- Low On-Resistance: 8.6 Ω typical
- Flat On-Resistance: 10 m Ω typical
- 1.8-V Logic capable
- Failsafe logic: up to 44 V independent of supply
- Industry-standard TSSOP and smaller WQFN packages

2 Applications

- [Factory automation and control](#)
- [Programmable logic controllers \(PLC\)](#)
- [Analog input modules](#)
- [Semiconductor test equipment](#)
- [Battery test equipment](#)
- [Servo drive control module](#)
- [Data acquisition systems \(DAQ\)](#)



Functional Block Diagram

3 Description

The TMUX7436F is a complementary metal-oxide semiconductor (CMOS) analog multiplexer with latch-up immunity in a dual channel, 2:1 configuration. The device works well with dual supplies (± 5 V to ± 22 V), a single supply (8 V to 44 V), or asymmetric supplies (such as $V_{DD} = 12$ V, $V_{SS} = -5$ V). The overvoltage protection is available in powered and powered-off conditions, making the TMUX7436F device suitable for applications where power supply sequencing cannot be precisely controlled.

The device blocks fault voltages up to +60 V or -60 V relative to ground in powered and powered-off conditions. When no power supplies are present, the switch channels remain in the OFF state regardless of switch input conditions, and any control signal present on the logic pins is ignored. If the signal path input voltage on any S_x pin exceeds the supply voltage (V_{DD} or V_{SS}) by a threshold voltage (V_T), then the channel turns OFF and the S_x pin becomes high impedance. The drain pin (D_x) is either pulled to the fault supply voltage that was exceeded or left floating depending on the DR control logic. The TMUX7436F device provides two active-low interrupt flags (FF and SF) to provide details of the fault and help system diagnostics. The FF flag indicates if any of the source inputs are experiencing a fault condition, while the SF flag is used to decode which specific inputs are experiencing a fault condition.

Package Information⁽¹⁾

| PART NUMBER | PACKAGE | BODY SIZE (NOM) |
|-------------|-------------------------------|--------------------------|
| TMUX7436F | PW (TSSOP, 16) | 5.00 mm \times 4.40 mm |
| | RRP (WQFN, 16) ⁽²⁾ | 4.00 mm \times 4.00 mm |

- (1) For all available packages, see the orderable addendum at the end of the data sheet.
- (2) Preview package



Table of Contents

| | | | |
|--|----|--|----|
| 1 Features | 1 | 7.11 Fault Flag Recovery Time..... | 30 |
| 2 Applications | 1 | 7.12 Charge Injection..... | 31 |
| 3 Description | 1 | 7.13 Off Isolation..... | 31 |
| 4 Revision History | 2 | 7.14 Crosstalk..... | 32 |
| 5 Pin Configuration and Functions | 3 | 7.15 Bandwidth..... | 33 |
| 6 Specifications | 4 | 7.16 THD + Noise..... | 33 |
| 6.1 Absolute Maximum Ratings..... | 4 | 8 Detailed Description | 34 |
| 6.2 ESD Ratings..... | 4 | 8.1 Overview..... | 34 |
| 6.3 Thermal Information..... | 5 | 8.2 Functional Block Diagram..... | 34 |
| 6.4 Recommended Operating Conditions..... | 5 | 8.3 Feature Description..... | 34 |
| 6.5 Electrical Characteristics: Global..... | 6 | 8.4 Device Functional Modes..... | 38 |
| 6.6 ±15 V Dual Supply: Electrical Characteristics..... | 7 | 9 Application and Implementation | 40 |
| 6.7 ±20 V Dual Supply: Electrical Characteristics..... | 10 | 9.1 Application Information..... | 40 |
| 6.8 12 V Single Supply: Electrical Characteristics..... | 13 | 9.2 Typical Application..... | 40 |
| 6.9 36 V Single Supply: Electrical Characteristics..... | 16 | 10 Power Supply Recommendations | 42 |
| 6.10 Typical Characteristics..... | 19 | 11 Layout | 42 |
| 7 Parameter Measurement Information | 25 | 11.1 Layout Guidelines..... | 42 |
| 7.1 On-Resistance..... | 25 | 11.2 Layout Example..... | 42 |
| 7.2 Off-Leakage Current..... | 25 | 12 Device and Documentation Support | 43 |
| 7.3 On-Leakage Current..... | 26 | 12.1 Documentation Support..... | 43 |
| 7.4 Input and Output Leakage Current Under Overvoltage Fault..... | 26 | 12.2 Receiving Notification of Documentation Updates..... | 43 |
| 7.5 Enable Delay Time..... | 27 | 12.3 Support Resources..... | 43 |
| 7.6 Break-Before-Make Delay..... | 27 | 12.4 Trademarks..... | 43 |
| 7.7 Transition Time..... | 28 | 12.5 Electrostatic Discharge Caution..... | 43 |
| 7.8 Fault Response Time..... | 28 | 12.6 Glossary..... | 43 |
| 7.9 Fault Recovery Time..... | 29 | 13 Mechanical, Packaging, and Orderable Information | 43 |
| 7.10 Fault Flag Response Time..... | 29 | | |

4 Revision History

| Changes from Revision * (October 2022) to Revision A (November 2022) | Page |
|---|------|
| • Changed the status of the data sheet from: <i>Advanced Information</i> to: <i>Production Data</i> | 1 |

5 Pin Configuration and Functions

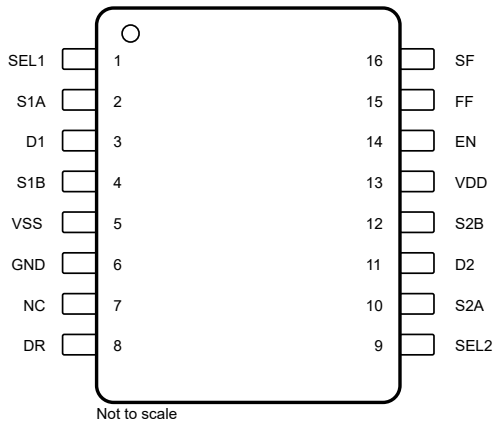


Figure 5-1. PW Package, 16-Pin TSSOP (Top View)

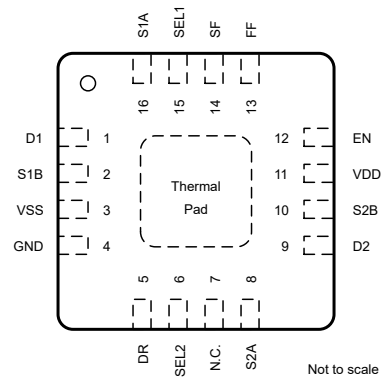


Figure 5-2. RRP (Preview) Package, 16-Pin WQFN (Top View)

Table 5-1. Pin Functions

| PIN | | | TYPE ⁽¹⁾ | DESCRIPTION |
|-----------------|-------|---------------------|---------------------|--|
| NAME | TSSOP | WQFN ⁽²⁾ | | |
| D1 | 3 | 1 | I/O | Drain pin 1. Can be an input or output. The drain pin is not overvoltage protected. |
| D2 | 11 | 9 | I/O | Drain pin 2. Can be an input or output. The drain pin is not overvoltage protected. |
| DR | 8 | 5 | I | Drain Response (DR) input. Tying the DR pin to GND enables the drain to be pulled to V _{DD} or V _{SS} through a 40 kΩ resistor during an overvoltage fault event. The drain pin becomes open circuit when the DR pin is a logic high or left floating. |
| EN | 14 | 12 | I | Active high logic enable (EN) pin, has internal 4 MΩ pull-down resistor. The device is disabled and all switches become high impedance when the pin is low. As provided in Table 8-1, when the pin is high, the SELx logic inputs determine individual switch states. |
| FF | 15 | 13 | O | General fault flag. This pin is an open drain output and is asserted low when overvoltage condition is detected on any of the source (Sxy) input pins. Connect this pin to an external supply (1.8 V to 5.5 V) through a 1 kΩ pull-up resistor. |
| GND | 6 | 4 | P | Ground (0 V) reference |
| N.C. | 7 | 7 | — | No internal connection. This pin can be shorted to GND or left floating. |
| S1A | 2 | 16 | I/O | Overvoltage protected source pin 1A. Can be an input or output. |
| S1B | 4 | 2 | I/O | Overvoltage protected source pin 1B. Can be an input or output. |
| S2A | 10 | 8 | I/O | Overvoltage protected source pin 2A. Can be an input or output. |
| S2B | 12 | 10 | I/O | Overvoltage protected source pin 2B. Can be an input or output. |
| SEL1 | 1 | 15 | I | Logic control input 1. |
| SEL2 | 9 | 6 | I | Logic control input 2. |
| SF | 16 | 14 | O | Specific fault flag. This pin is an open drain output and is asserted low when an overvoltage condition is detected on a specific (Sxy) input pin, depending on the state of the SELx pins, as provided in Table 8-1. Connect this pin to an external supply (1.8 V to 5.5 V) through a 1 kΩ pull-up resistor. |
| V _{DD} | 13 | 11 | P | Positive power supply. This pin is the most positive power-supply potential. Connect a decoupling capacitor ranging from 0.1 μF to 10 μF between V _{DD} and GND for reliable operation. |
| V _{SS} | 5 | 3 | P | Negative power supply. This pin is the most negative power-supply potential. This pin can be connected to ground in single-supply applications. Connect a decoupling capacitor ranging from 0.1 μF to 10 μF between V _{SS} and GND for reliable operation. |
| Thermal Pad | | | — | The thermal pad is not connected internally. It is recommended to tie the pad to GND or VSS for best performance. |

(1) I = input, O = output, I/O = input and output, P = power.

(2) Preview package.

6 Specifications

6.1 Absolute Maximum Ratings

over operating free-air temperature range (unless otherwise noted)⁽¹⁾

| | | MIN | MAX | UNIT |
|---|---|---------------------------------------|---------------------------------------|------|
| V _{DD} to V _{SS} | Supply voltage | | 48 | V |
| V _{DD} to GND | | -0.3 | 48 | V |
| V _{SS} to GND | | -48 | 0.3 | V |
| V _S to GND | Source input pin (Sx) voltage to GND | -65 | 65 | V |
| V _S to V _{DD} | Source input pin (Sx) voltage to V _{DD} | -90 | | V |
| V _S to V _{SS} | Source input pin (Sx) voltage to V _{SS} | | 90 | V |
| V _D | Drain pin (Dx) voltage | V _{SS} -0.7 | V _{DD} +0.7 | V |
| V _{LOGIC} | Logic control input pin voltage (EN, SELx, DR) ⁽²⁾ | GND -0.7 | 48 | V |
| V _{xF} | Logic output pin voltage (FF, SF) ⁽²⁾ | GND -0.7 | 6 | V |
| I _{LOGIC} | Logic control input pin current (EN, SELx, DR) ⁽²⁾ | -30 | 30 | mA |
| I _{xF} | Logic output pin current (FF, SF) ⁽²⁾ | -10 | 10 | mA |
| I _S or I _D (CONT) | Source or drain continuous current (Sx or Dx) | I _{DC} ± 10 % ⁽³⁾ | I _{DC} ± 10 % ⁽³⁾ | mA |
| T _{stg} | Storage temperature | -65 | 150 | °C |
| T _A | Ambient temperature | -55 | 150 | °C |
| T _J | Junction temperature | | 150 | °C |
| P _{tot} ⁽⁴⁾ | Total power dissipation (TSSOP) | | 650 | mW |

- Operation outside the *Absolute Maximum Ratings* may cause permanent device damage. Absolute maximum ratings do not imply functional operation of the device at these or any other conditions beyond those listed under *Recommended Operating Conditions*. If briefly operating outside the *Recommended Operating Conditions* but within the *Absolute Maximum Ratings*, the device may not sustain damage, but it may not be fully functional. Operating the device in this manner may affect device reliability, functionality, performance, and shorten the device lifetime.
- Stresses have to be kept at or below both voltage and current ratings at all time.
- Refer to Recommended Operating Conditions for I_{DC} ratings.
- For TSSOP package: P_{tot} derates linearly above T_A = 70°C by 10.1 mW/°C.

6.2 ESD Ratings

| | | VALUE | UNIT |
|--------------------|-------------------------|---|-------|
| V _(ESD) | Electrostatic discharge | Human body model (HBM), per ANSI/ESDA/JEDEC JS-001, all pins ⁽¹⁾ | ±4000 |
| | | Charged device model (CDM), per ANSI/ESDA/JEDEC JS-002, all pins ⁽²⁾ | ±750 |

- JEDEC document JEP155 states that 500-V HBM allows safe manufacturing with a standard ESD control process.
- JEDEC document JEP157 states that 250-V CDM allows safe manufacturing with a standard ESD control process.

6.3 Thermal Information

| THERMAL METRIC ⁽¹⁾ | | TMUX7436F | | UNIT |
|-------------------------------|--|------------|------------|------|
| | | PW (TSSOP) | RRP (WQFN) | |
| | | 16 PINS | 16 PINS | |
| R _{θJA} | Junction-to-ambient thermal resistance | 100.4 | TBD | °C/W |
| R _{θJC(top)} | Junction-to-case (top) thermal resistance | 31.3 | TBD | °C/W |
| R _{θJB} | Junction-to-board thermal resistance | 46.4 | TBD | °C/W |
| Ψ _{JT} | Junction-to-top characterization parameter | 1.7 | TBD | °C/W |
| Ψ _{JB} | Junction-to-board characterization parameter | 45.8 | TBD | °C/W |
| R _{θJC(bot)} | Junction-to-case (bottom) thermal resistance | N/A | TBD | °C/W |

(1) For more information about traditional and new thermal metrics, see the [Semiconductor and IC Package Thermal Metrics](#) application report.

6.4 Recommended Operating Conditions

over operating free-air temperature range (unless otherwise noted)

| | | MIN | NOM | MAX | UNIT |
|--|--|------------------------|-----|-----------------|------|
| V _{DD} – V _{SS} ⁽¹⁾ | Power supply voltage differential | 8 | | 44 | V |
| V _{DD} | Positive power supply voltage | 5 | | 44 | |
| V _S | Source pin (Sx) voltage (non-fault condition) | V _{SS} | | V _{DD} | V |
| V _S to GND | Source pin (Sx) voltage to GND (fault condition) | –60 | | 60 | |
| V _S to V _{DD} ⁽²⁾ | Source pin (Sx) voltage to V _{DD} or V _D (fault condition) | –85 | | | |
| V _S to V _{SS} ⁽²⁾ | Source pin (Sx) voltage to V _{SS} or V _D (fault condition) | | | 85 | |
| V _D | Drain pin (Dx) voltage | V _{SS} | | V _{DD} | V |
| V _{LOGIC} | Logic control input pin voltage (EN, SELx, DR) | GND | | 44 | |
| V _{XF} ⁽³⁾ | Logic output pin voltage (FF, SF) | GND | | 5.5 | |
| T _A | Ambient temperature | –40 | | 125 | °C |
| I _{DC} | Continuous current through switch operating 1 channel, TSSOP package | T _A = 25°C | | 115 | mA |
| | | T _A = 85°C | | 115 | mA |
| | | T _A = 125°C | | 85 | mA |
| I _{DC} | Continuous current through switch operating max number of channels at the same time, TSSOP package | T _A = 25°C | | 115 | mA |
| | | T _A = 85°C | | 115 | mA |
| | | T _A = 125°C | | 60 | mA |

- (1) V_{DD} and V_{SS} can be any value as long as 8 V ≤ (V_{DD} – V_{SS}) ≤ 44 V, and the minimum V_{DD} is met.
(2) Source pin voltage (Sx) under a fault condition may not exceed 85 V from supply pins (V_{DD} and V_{SS}-) or drain pins (D, Dx).
(3) Logic output pin (FF) is an open drain output and should be pulled up to a voltage within the maximum ratings.

6.5 Electrical Characteristics: Global

at $T_A = 25^\circ\text{C}$ (unless otherwise noted)

| PARAMETER | | TEST CONDITIONS | | MIN | TYP | MAX | UNIT |
|----------------------------|---|---|-----------------|-----|-----|------|------------|
| ANALOG SWITCH | | | | | | | |
| V_T | Threshold voltage for fault detector | | 25°C | | 0.7 | | V |
| LOGIC INPUT/ OUTPUT | | | | | | | |
| V_{IH} | High-level input voltage | EN, SELx, DR pins | -40°C to +125°C | 1.3 | | 44 | V |
| V_{IL} | Low-level input voltage | EN, SELx, DR pins | -40°C to +125°C | 0 | | 0.8 | V |
| $V_{OL(FLAG)}$ | Low-level output voltage | FF and SF pins, $I_O = 5\text{ mA}$ | -40°C to +125°C | | | 0.35 | V |
| POWER SUPPLY | | | | | | | |
| V_{UVLO} | Undervoltage lockout (UVLO) threshold voltage ($V_{DD} - V_{SS}$) | Rising edge, single supply | -40°C to +125°C | 5.1 | 5.8 | 6.6 | V |
| | | Falling edge, single supply | -40°C to +125°C | 5 | 5.7 | 6.4 | V |
| V_{HYS} | V_{DD} Undervoltage lockout (UVLO) hysteresis | Single supply | -40°C to +125°C | | 0.2 | | V |
| $R_{D(OVP)}$ | Drain resistance to supply rail during overvoltage event on selected source pin | Drain resistance to supply rail during overvoltage event on selected source pin | 25°C | | 40 | | k Ω |

6.6 ±15 V Dual Supply: Electrical Characteristics

$V_{DD} = +15\text{ V} \pm 10\%$, $V_{SS} = -15\text{ V} \pm 10\%$, GND = 0 V (unless otherwise noted)

Typical at $V_{DD} = +15\text{ V}$, $V_{SS} = -15\text{ V}$, $T_A = 25^\circ\text{C}$ (unless otherwise noted)

| PARAMETER | | TEST CONDITIONS | T_A | MIN | TYP | MAX | UNIT |
|------------------------------|---|---|-----------------|------|-------|------|-------------------------|
| ANALOG SWITCH | | | | | | | |
| R_{ON} | On-resistance | $V_S = -10\text{ V to } +10\text{ V}$ $I_D = -10\text{ mA}$ | 25°C | 8.6 | 11 | | Ω |
| | | | -40°C to +85°C | | | 14 | |
| | | | -40°C to +125°C | | | 16.5 | |
| ΔR_{ON} | On-resistance mismatch between channels | $V_S = -10\text{ V to } +10\text{ V}$ $I_D = -10\text{ mA}$ | 25°C | 0.06 | 0.45 | | Ω |
| | | | -40°C to +85°C | | | 0.5 | |
| | | | -40°C to +125°C | | | 0.6 | |
| R_{FLAT} | On-resistance flatness | $V_S = -10\text{ V to } +10\text{ V}$ $I_D = -10\text{ mA}$ | 25°C | 0.01 | 0.4 | | Ω |
| | | | -40°C to +85°C | | | 0.4 | |
| | | | -40°C to +125°C | | | 0.4 | |
| R_{ON_DRIFT} | On-resistance drift | $V_S = 0\text{ V}$, $I_S = -10\text{ mA}$ | -40°C to +125°C | 0.04 | | | $\Omega/^\circ\text{C}$ |
| $I_{S(OFF)}$ | Input leakage current ⁽¹⁾ | $V_{DD} = 16.5\text{ V}$, $V_{SS} = -16.5\text{ V}$ Switch state is off $V_S = +10\text{ V} / -10\text{ V}$ $V_D = -10\text{ V} / +10\text{ V}$ | 25°C | -0.7 | 0.03 | 0.7 | nA |
| | | | -40°C to +85°C | -2 | | 2 | |
| | | | -40°C to +125°C | -11 | | 11 | |
| $I_{D(OFF)}$ | Output off leakage current ⁽¹⁾ | $V_{DD} = 16.5\text{ V}$, $V_{SS} = -16.5\text{ V}$ Switch state is off $V_S = +10\text{ V} / -10\text{ V}$ $V_D = -10\text{ V} / +10\text{ V}$ | 25°C | -1.4 | 0.06 | 1.4 | nA |
| | | | -40°C to +85°C | -4 | | 4 | |
| | | | -40°C to +125°C | -24 | | 24 | |
| $I_{S(ON)}$ $I_{D(ON)}$ | Output on leakage current ⁽²⁾ | $V_{DD} = 16.5\text{ V}$, $V_{SS} = -16.5\text{ V}$ Switch state is on $V_S = V_D = \pm 10\text{ V}$ | 25°C | -1.4 | 0.08 | 1.4 | nA |
| | | | -40°C to +85°C | -4 | | 4 | |
| | | | -40°C to +125°C | -27 | | 27 | |
| FAULT CONDITION | | | | | | | |
| $I_{S(FA)}$ | Input leakage current during overvoltage | $V_S = \pm 60\text{ V}$, GND = 0 V, $V_{DD} = 16.5\text{ V}$, $V_{SS} = -16.5\text{ V}$ | -40°C to +125°C | ±100 | | | μA |
| $I_{S(FA)} \text{ Grounded}$ | Input leakage current during overvoltage with grounded supply voltages | $V_S = \pm 60\text{ V}$, GND = 0 V $V_{DD} = V_{SS} = 0\text{ V}$ | -40°C to +125°C | ±125 | | | μA |
| $I_{S(FA)} \text{ Floating}$ | Input leakage current during overvoltage with floating supply voltages | $V_S = \pm 60\text{ V}$, GND = 0 V, $V_{DD} = V_{SS} = \text{floating}$ | -40°C to +125°C | ±125 | | | μA |
| $I_{D(FA)}$ | Output leakage current during overvoltage | $V_S = \pm 60\text{ V}$, GND = 0 V, $V_{DD} = 16.5\text{ V}$, $V_{SS} = -16.5\text{ V}$ | 25°C | -20 | ±0.1 | 20 | nA |
| | | | -40°C to +85°C | -30 | | 30 | |
| | | | -40°C to +125°C | -60 | | 60 | |
| $I_{D(FA)} \text{ Grounded}$ | Output leakage current during overvoltage with grounded supply voltages | $V_S = \pm 60\text{ V}$, GND = 0 V, $V_{DD} = V_{SS} = 0\text{ V}$ | 25°C | -30 | ±0.01 | 30 | nA |
| | | | -40°C to +85°C | -50 | | 50 | |
| | | | -40°C to +125°C | -90 | | 90 | |
| $I_{D(FA)} \text{ Floating}$ | Output leakage current during overvoltage with floating supply voltages | $V_S = \pm 60\text{ V}$, GND = 0 V, $V_{DD} = V_{SS} = \text{floating}$ | 25°C | ±4 | | | μA |
| | | | -40°C to +85°C | ±6 | | | |
| | | | -40°C to +125°C | ±8 | | | |
| I_{IH} | High-level input current | $V_{EN} = V_{SELX} = V_{DR} = V_{DD}$ | 25°C | ±1.6 | | | μA |
| | | | -40°C to +125°C | ±2 | | | |
| I_{IL} | Low-level input current | $V_{EN} = V_{SELX} = V_{DR} = 0$ | 25°C | ±1 | | | μA |
| | | | -40°C to +125°C | ±1.1 | | | |

6.6 ±15 V Dual Supply: Electrical Characteristics (continued)

$V_{DD} = +15\text{ V} \pm 10\%$, $V_{SS} = -15\text{ V} \pm 10\%$, $GND = 0\text{ V}$ (unless otherwise noted)

Typical at $V_{DD} = +15\text{ V}$, $V_{SS} = -15\text{ V}$, $T_A = 25^\circ\text{C}$ (unless otherwise noted)

| PARAMETER | | TEST CONDITIONS | T_A | MIN | TYP | MAX | UNIT |
|----------------------------------|--------------------------------------|---|-----------------|--------|------|---------------|------|
| SWITCHING CHARACTERISTICS | | | | | | | |
| $t_{ON(EN)}$ | Enable turn-on time | $V_S = 10\text{ V}$, $R_L = 300\ \Omega$, $C_L = 12\text{ pF}$ | 25°C | 435 | 515 | ns | |
| | | | -40°C to +85°C | | 530 | | |
| | | | -40°C to +125°C | | 550 | | |
| $t_{OFF(EN)}$ | Enable turn-off time | $V_S = 10\text{ V}$, $R_L = 300\ \Omega$, $C_L = 12\text{ pF}$ | 25°C | 50 | 130 | ns | |
| | | | -40°C to +85°C | | 140 | | |
| | | | -40°C to +125°C | | 150 | | |
| t_{TRAN} | Transition time | $V_S = 10\text{ V}$, $R_L = 300\ \Omega$, $C_L = 12\text{ pF}$ | 25°C | 417 | 540 | ns | |
| | | | -40°C to +85°C | | 555 | | |
| | | | -40°C to +125°C | | 570 | | |
| $t_{RESPONSE}$ | Fault response time | $R_L = 300\ \Omega$, $C_L = 12\text{ pF}$ | 25°C | 110 | 505 | ns | |
| | | | -40°C to +85°C | | 515 | | |
| | | | -40°C to +125°C | | 520 | | |
| $t_{RECOVERY}$ | Fault recovery time | $R_L = 300\ \Omega$, $C_L = 12\text{ pF}$ | 25°C | 1600 | 4500 | ns | |
| | | | -40°C to +85°C | | 4800 | | |
| | | | -40°C to +125°C | | 4800 | | |
| $t_{RESPONSE(FLAG)}$ | Fault flag response time | $R_L = 300\ \Omega$, $C_L = 12\text{ pF}$, $R_{PU} = 1\text{ k}\Omega$, $C_{L_XF} = 12\text{ pF}$ | 25°C | 120 | | ns | |
| $t_{RECOVERY(FLAG)}$ | Fault flag recovery time | $R_L = 300\ \Omega$, $C_L = 12\text{ pF}$, $R_{PU} = 1\text{ k}\Omega$, $C_{L_XF} = 12\text{ pF}$ | 25°C | 1 | | μs | |
| t_{BBM} | Break-before-make time delay | $V_S = 10\text{ V}$, $R_L = 300\ \Omega$, $C_L = 12\text{ pF}$ | -40°C to +125°C | 200 | 380 | ns | |
| Q_{INJ} | Charge injection | $V_S = 0\text{ V}$, $C_L = 1\text{ nF}$ | 25°C | -300 | | pC | |
| O_{ISO} | Off-isolation | $R_S = 50\ \Omega$, $R_L = 50\ \Omega$, $C_L = 5\text{ pF}$, $V_S = 200\text{ mV}_{RMS}$, $V_{BIAS} = 0\text{ V}$, $f = 1\text{ MHz}$ | 25°C | -60 | | dB | |
| X_{TALK} | Intra-channel crosstalk | $R_S = 50\ \Omega$, $R_L = 50\ \Omega$, $C_L = 5\text{ pF}$, $V_S = 200\text{ mV}_{RMS}$, $V_{BIAS} = 0\text{ V}$, $f = 1\text{ MHz}$ | 25°C | -62 | | dB | |
| | Inter-channel crosstalk | $R_S = 50\ \Omega$, $R_L = 50\ \Omega$, $C_L = 5\text{ pF}$, $V_S = 200\text{ mV}_{RMS}$, $V_{BIAS} = 0\text{ V}$, $f = 1\text{ MHz}$ | 25°C | -88 | | | |
| BW | -3 dB bandwidth | $R_S = 50\ \Omega$, $R_L = 50\ \Omega$, $C_L = 5\text{ pF}$, $V_S = 200\text{ mV}_{RMS}$, $V_{BIAS} = 0\text{ V}$ | 25°C | 220 | | MHz | |
| I_{LOSS} | Insertion loss | $R_S = 50\ \Omega$, $R_L = 50\ \Omega$, $C_L = 5\text{ pF}$, $V_S = 200\text{ mV}_{RMS}$, $V_{BIAS} = 0\text{ V}$, $f = 1\text{ MHz}$ | 25°C | -0.7 | | dB | |
| THD+N | Total harmonic distortion plus noise | $R_S = 50\ \Omega$, $R_L = 10\text{ k}\Omega$, $V_S = 15\text{ V}_{PP}$, $V_{BIAS} = 0\text{ V}$, $f = 20\text{ Hz to } 20\text{ kHz}$ | 25°C | 0.0007 | | % | |
| $C_{S(OFF)}$ | Input off-capacitance | $f = 1\text{ MHz}$, $V_S = 0\text{ V}$ | 25°C | 13 | | pF | |
| $C_{D(OFF)}$ | Output off-capacitance | $f = 1\text{ MHz}$, $V_S = 0\text{ V}$ | 25°C | 25 | | pF | |
| $C_{S(ON)}$ $C_{D(ON)}$ | Input/Output on-capacitance | $f = 1\text{ MHz}$, $V_S = 0\text{ V}$ | 25°C | 28 | | pF | |
| POWER SUPPLY | | | | | | | |
| I_{DD} | V_{DD} supply current | $V_{DD} = 16.5\text{ V}$, $V_{SS} = -16.5\text{ V}$, $V_{SELX} = V_{DR} = 0\text{ V}$, 5 V , or V_{DD} , $V_{EN} = 5\text{ V}$ or V_{DD} | 25°C | 0.32 | 0.5 | mA | |
| | | | -40°C to +85°C | | 0.5 | | |
| | | | -40°C to +125°C | | 0.6 | | |
| I_{SS} | V_{SS} supply current | $V_{DD} = 16.5\text{ V}$, $V_{SS} = -16.5\text{ V}$, $V_{SELX} = V_{DR} = 0\text{ V}$, 5 V , or V_{DD} , $V_{EN} = 5\text{ V}$ or V_{DD} | 25°C | 0.26 | 0.4 | mA | |
| | | | -40°C to +85°C | | 0.4 | | |
| | | | -40°C to +125°C | | 0.5 | | |
| I_{GND} | GND current | $V_{DD} = 16.5\text{ V}$, $V_{SS} = -16.5\text{ V}$, $V_{SELX} = V_{DR} = 0\text{ V}$, 5 V , or V_{DD} , $V_{EN} = 5\text{ V}$ or V_{DD} | 25°C | 0.06 | | mA | |
| $I_{DD(FA)}$ | V_{DD} supply current under fault | $V_S = \pm 60\text{ V}$, $V_{DD} = 16.5\text{ V}$, $V_{SS} = -16.5\text{ V}$, $V_{SELX} = V_{DR} = 0\text{ V}$, 5 V , or V_{DD} , $V_{EN} = 5\text{ V}$ or V_{DD} | 25°C | 0.27 | 0.7 | mA | |
| | | | -40°C to +85°C | | 0.8 | | |
| | | | -40°C to +125°C | | 0.8 | | |

6.6 ±15 V Dual Supply: Electrical Characteristics (continued)

$V_{DD} = +15\text{ V} \pm 10\%$, $V_{SS} = -15\text{ V} \pm 10\%$, GND = 0 V (unless otherwise noted)

Typical at $V_{DD} = +15\text{ V}$, $V_{SS} = -15\text{ V}$, $T_A = 25^\circ\text{C}$ (unless otherwise noted)

| PARAMETER | TEST CONDITIONS | T_A | MIN | TYP | MAX | UNIT | |
|-------------------|--|---|-----------------|------|-----|------|-----|
| $I_{SS(FA)}$ | V_{SS} supply current under fault | $V_S = \pm 60\text{ V}$, $V_{DD} = 16.5\text{ V}$, $V_{SS} = -16.5\text{ V}$, $V_{SELX} = V_{DR} = 0\text{ V}$, 5 V, or V_{DD} , $V_{EN} = 5\text{ V}$ or V_{DD} | 25°C | 0.2 | 0.6 | mA | |
| | | -40°C to +85°C | | | 0.8 | | |
| | | -40°C to +125°C | | | 0.8 | | |
| $I_{GND(FA)}$ | GND current under fault | $V_S = \pm 60\text{ V}$, $V_{DD} = 16.5\text{ V}$, $V_{SS} = -16.5\text{ V}$, $V_{SELX} = V_{DR} = 0\text{ V}$, 5 V, or V_{DD} , $V_{EN} = 5\text{ V}$ or V_{DD} | 25°C | 0.15 | | mA | |
| $I_{DD(DISABLE)}$ | V_{DD} supply current (disable mode) | $V_{DD} = 16.5\text{ V}$, $V_{SS} = -16.5\text{ V}$, $V_{SELX} = V_{DR} = 0\text{ V}$, 5 V, or V_{DD} , $V_{EN} = 0\text{ V}$ | 25°C | 0.15 | 0.5 | mA | |
| | | | -40°C to +85°C | | | | 0.5 |
| | | | -40°C to +125°C | | | | 0.5 |
| $I_{SS(DISABLE)}$ | V_{SS} supply current (disable mode) | $V_{DD} = 16.5\text{ V}$, $V_{SS} = -16.5\text{ V}$, $V_{SELX} = V_{DR} = 0\text{ V}$, 5 V, or V_{DD} , $V_{EN} = 0\text{ V}$ | 25°C | 0.1 | 0.4 | mA | |
| | | | -40°C to +85°C | | | | 0.4 |
| | | | -40°C to +125°C | | | | 0.4 |

- (1) When V_S is positive, V_D is negative. And when V_S is negative, V_D is positive.
- (2) When V_S is at a voltage potential, V_D is floating. And when V_D is at a voltage potential, V_S is floating.

6.7 ±20 V Dual Supply: Electrical Characteristics

$V_{DD} = +20\text{ V} \pm 10\%$, $V_{SS} = -20\text{ V} \pm 10\%$, GND = 0 V (unless otherwise noted)

Typical at $V_{DD} = +20\text{ V}$, $V_{SS} = -20\text{ V}$, $T_A = 25^\circ\text{C}$ (unless otherwise noted)

| PARAMETER | | TEST CONDITIONS | T_A | MIN | TYP | MAX | UNIT |
|------------------------------|---|---|-----------------|-------|------|------|-------------------------|
| ANALOG SWITCH | | | | | | | |
| R_{ON} | On-resistance | $V_S = -15\text{ V to }+15\text{ V}$ $I_D = -10\text{ mA}$ | 25°C | 8.6 | 11 | | Ω |
| | | | -40°C to +85°C | | | 14 | |
| | | | -40°C to +125°C | | | 17 | |
| ΔR_{ON} | On-resistance mismatch between channels | $V_S = -15\text{ V to }+15\text{ V}$ $I_D = -10\text{ mA}$ | 25°C | 0.06 | 0.35 | | Ω |
| | | | -40°C to +85°C | | | 0.5 | |
| | | | -40°C to +125°C | | | 0.5 | |
| R_{FLAT} | On-resistance flatness | $V_S = -15\text{ V to }+15\text{ V}$ $I_D = -10\text{ mA}$ | 25°C | 0.015 | 0.4 | | Ω |
| | | | -40°C to +85°C | | | 0.5 | |
| | | | -40°C to +125°C | | | 0.5 | |
| R_{ON_DRIFT} | On-resistance drift | $V_S = 0\text{ V}$, $I_S = -10\text{ mA}$ | -40°C to +125°C | | 0.04 | | $\Omega/^\circ\text{C}$ |
| $I_{S(OFF)}$ | Input leakage current ⁽¹⁾ | $V_{DD} = 22\text{ V}$, $V_{SS} = -22\text{ V}$ Switch state is off $V_S = +15\text{ V / }-15\text{ V}$ $V_D = -15\text{ V / }+15\text{ V}$ | 25°C | -0.7 | 0.03 | 0.7 | nA |
| | | | -40°C to +85°C | | | 2 | |
| | | | -40°C to +125°C | | | 11 | |
| $I_{D(OFF)}$ | Output off leakage current ⁽¹⁾ | $V_{DD} = 22\text{ V}$, $V_{SS} = -22\text{ V}$ Switch state is off $V_S = +15\text{ V / }-15\text{ V}$ $V_D = -15\text{ V / }+15\text{ V}$ | 25°C | -1.4 | 0.06 | 1.4 | nA |
| | | | -40°C to +85°C | | | 4 | |
| | | | -40°C to +125°C | | | 24 | |
| $I_{S(ON)}$ $I_{D(ON)}$ | Output on leakage current ⁽²⁾ | $V_{DD} = 22\text{ V}$, $V_{SS} = -22\text{ V}$ Switch state is on $V_S = V_D = \pm 15\text{ V}$ | 25°C | -1.4 | 0.08 | 1.4 | nA |
| | | | -40°C to +85°C | | | 4 | |
| | | | -40°C to +125°C | | | 27 | |
| FAULT CONDITION | | | | | | | |
| $I_{S(FA)}$ | Input leakage current during overvoltage | $V_S = \pm 60\text{ V}$, GND = 0 V, $V_{DD} = 22\text{ V}$, $V_{SS} = -22\text{ V}$ | -40°C to +125°C | | ±85 | | μA |
| $I_{S(FA)} \text{ Grounded}$ | Input leakage current during overvoltage with grounded supply voltages | $V_S = \pm 60\text{ V}$, GND = 0 V, $V_{DD} = V_{SS} = 0\text{ V}$ | -40°C to +125°C | | ±125 | | μA |
| $I_{S(FA)} \text{ Floating}$ | Input leakage current during overvoltage with floating supply voltages | $V_S = \pm 60\text{ V}$, GND = 0 V, $V_{DD} = V_{SS} = \text{floating}$ | -40°C to +125°C | | ±125 | | μA |
| $I_{D(FA)}$ | Output leakage current during overvoltage | $V_S = \pm 60\text{ V}$, GND = 0 V, $V_{DD} = 22\text{ V}$, $V_{SS} = -22\text{ V}$, | 25°C | -50 | ±5 | 50 | nA |
| | | | -40°C to +85°C | | | 70 | |
| | | | -40°C to +125°C | | | 90 | |
| $I_{D(FA)} \text{ Grounded}$ | Output leakage current during overvoltage with grounded supply voltages | $V_S = \pm 60\text{ V}$, GND = 0 V, $V_{DD} = V_{SS} = 0\text{ V}$ | 25°C | -30 | ±10 | 30 | nA |
| | | | -40°C to +85°C | | | 50 | |
| | | | -40°C to +125°C | | | 90 | |
| $I_{D(FA)} \text{ Floating}$ | Output leakage current during overvoltage with floating supply voltages | $V_S = \pm 60\text{ V}$, GND = 0 V, $V_{DD} = V_{SS} = \text{floating}$ | 25°C | | ±4 | | μA |
| | | | -40°C to +85°C | | | ±6 | |
| | | | -40°C to +125°C | | | ±8 | |
| I_{IH} | High-level input current | $V_{EN} = V_{SELX} = V_{DR} = V_{DD}$ | 25°C | | | ±1.8 | μA |
| | | | -40°C to +125°C | | | ±2.2 | |
| I_{IL} | Low-level input current | $V_{EN} = V_{SELX} = V_{DR} = 0$ | 25°C | | | ±1 | μA |
| | | | -40°C to +125°C | | | ±1.1 | |

6.7 ±20 V Dual Supply: Electrical Characteristics (continued)

 $V_{DD} = +20\text{ V} \pm 10\%$, $V_{SS} = -20\text{ V} \pm 10\%$, $GND = 0\text{ V}$ (unless otherwise noted)

 Typical at $V_{DD} = +20\text{ V}$, $V_{SS} = -20\text{ V}$, $T_A = 25^\circ\text{C}$ (unless otherwise noted)

| PARAMETER | | TEST CONDITIONS | T_A | MIN | TYP | MAX | UNIT |
|----------------------------------|--------------------------------------|---|-----------------|------|--------|---------------|------|
| SWITCHING CHARACTERISTICS | | | | | | | |
| $t_{ON(EN)}$ | Enable turn-on time | $V_S = 10\text{ V}$, $R_L = 300\ \Omega$, $C_L = 12\text{ pF}$ | 25°C | 430 | 535 | ns | |
| | | | -40°C to +85°C | | 560 | | |
| | | | -40°C to +125°C | | 585 | | |
| $t_{OFF(EN)}$ | Enable turn-off time | $V_S = 10\text{ V}$, $R_L = 300\ \Omega$, $C_L = 12\text{ pF}$ | 25°C | 50 | 120 | ns | |
| | | | -40°C to +85°C | | 130 | | |
| | | | -40°C to +125°C | | 150 | | |
| t_{TRAN} | Transition time | $V_S = 10\text{ V}$, $R_L = 300\ \Omega$, $C_L = 12\text{ pF}$ | 25°C | 433 | 555 | ns | |
| | | | -40°C to +85°C | | 571 | | |
| | | | -40°C to +125°C | | 580 | | |
| $t_{RESPONSE}$ | Fault response time | $R_L = 300\ \Omega$, $C_L = 12\text{ pF}$ | 25°C | 110 | 505 | ns | |
| | | | -40°C to +85°C | | 515 | | |
| | | | -40°C to +125°C | | 520 | | |
| $t_{RECOVERY}$ | Fault recovery time | $R_L = 300\ \Omega$, $C_L = 12\text{ pF}$ | 25°C | 1600 | 4500 | ns | |
| | | | -40°C to +85°C | | 4900 | | |
| | | | -40°C to +125°C | | 4900 | | |
| $t_{RESPONSE(FLAG)}$ | Fault flag response time | $R_L = 300\ \Omega$, $C_L = 12\text{ pF}$, $R_{PU} = 1\text{ k}\Omega$, $C_{L_XF} = 12\text{ pF}$ | 25°C | 140 | | ns | |
| $t_{RECOVERY(FLAG)}$ | Fault flag recovery time | $R_L = 300\ \Omega$, $C_L = 12\text{ pF}$, $R_{PU} = 1\text{ k}\Omega$, $C_{L_XF} = 12\text{ pF}$ | 25°C | 1 | | μs | |
| t_{BBM} | Break-before-make time delay | $V_S = 10\text{ V}$, $R_L = 300\ \Omega$, $C_L = 12\text{ pF}$ | -40°C to +125°C | 210 | 400 | | ns |
| Q_{INJ} | Charge injection | $V_S = 0\text{ V}$, $C_L = 1\text{ nF}$ | 25°C | -330 | | | pC |
| O_{ISO} | Off-isolation | $R_S = 50\ \Omega$, $R_L = 50\ \Omega$, $C_L = 5\text{ pF}$, $V_S = 200\text{ mV}_{RMS}$, $V_{BIAS} = 0\text{ V}$, $f = 1\text{ MHz}$ | 25°C | -60 | | | dB |
| X_{TALK} | Intra-channel crosstalk | $R_S = 50\ \Omega$, $R_L = 50\ \Omega$, $C_L = 5\text{ pF}$, $V_S = 200\text{ mV}_{RMS}$, $V_{BIAS} = 0\text{ V}$, $f = 1\text{ MHz}$ | 25°C | -64 | | | dB |
| | Inter-channel crosstalk | $R_S = 50\ \Omega$, $R_L = 50\ \Omega$, $C_L = 5\text{ pF}$, $V_S = 200\text{ mV}_{RMS}$, $V_{BIAS} = 0\text{ V}$, $f = 1\text{ MHz}$ | 25°C | -81 | | | |
| BW | -3 dB bandwidth | $R_S = 50\ \Omega$, $R_L = 50\ \Omega$, $C_L = 5\text{ pF}$, $V_S = 200\text{ mV}_{RMS}$, $V_{BIAS} = 0\text{ V}$ | 25°C | | 230 | | MHz |
| I_{LOSS} | Insertion loss | $R_S = 50\ \Omega$, $R_L = 50\ \Omega$, $C_L = 5\text{ pF}$, $V_S = 200\text{ mV}_{RMS}$, $V_{BIAS} = 0\text{ V}$, $f = 1\text{ MHz}$ | 25°C | -0.7 | | | dB |
| THD+N | Total harmonic distortion plus noise | $R_S = 50\ \Omega$, $R_L = 10\text{ k}\Omega$, $V_S = 20\text{ V}_{PP}$, $V_{BIAS} = 0\text{ V}$, $f = 20\text{ Hz to } 20\text{ kHz}$ | 25°C | | 0.0008 | | % |
| $C_{S(OFF)}$ | Input off-capacitance | $f = 1\text{ MHz}$, $V_S = 0\text{ V}$ | 25°C | | 12 | | pF |
| $C_{D(OFF)}$ | Output off-capacitance | $f = 1\text{ MHz}$, $V_S = 0\text{ V}$ | 25°C | | 24 | | pF |
| $C_{S(ON)}$ $C_{D(ON)}$ | Input/Output on-capacitance | $f = 1\text{ MHz}$, $V_S = 0\text{ V}$ | 25°C | | 27 | | pF |
| POWER SUPPLY | | | | | | | |
| I_{DD} | V_{DD} supply current | $V_{DD} = 22\text{ V}$, $V_{SS} = -22\text{ V}$, $V_{SELX} = V_{DR} = 0\text{ V}$, 5 V , or V_{DD} , $V_{EN} = 5\text{ V}$ or V_{DD} | 25°C | 0.32 | 0.5 | mA | |
| | | | -40°C to +85°C | | 0.5 | | |
| | | | -40°C to +125°C | | 0.6 | | |
| I_{SS} | V_{SS} supply current | $V_{DD} = 22\text{ V}$, $V_{SS} = -22\text{ V}$, $V_{SELX} = V_{DR} = 0\text{ V}$, 5 V , or V_{DD} , $V_{EN} = 5\text{ V}$ or V_{DD} | 25°C | 0.26 | 0.4 | mA | |
| | | | -40°C to +85°C | | 0.4 | | |
| | | | -40°C to +125°C | | 0.5 | | |
| I_{GND} | GND current | $V_{DD} = 22\text{ V}$, $V_{SS} = -22\text{ V}$, $V_{SELX} = V_{DR} = 0\text{ V}$, 5 V , or V_{DD} , $V_{EN} = 5\text{ V}$ or V_{DD} | 25°C | 0.06 | | | mA |
| $I_{DD(FA)}$ | V_{DD} supply current under fault | $V_S = \pm 60\text{ V}$, $V_{DD} = 22\text{ V}$, $V_{SS} = -22\text{ V}$, $V_{SELX} = V_{DR} = 0\text{ V}$, 5 V , or V_{DD} , $V_{EN} = 5\text{ V}$ or V_{DD} | 25°C | 0.27 | 0.8 | mA | |
| | | | -40°C to +85°C | | 1 | | |
| | | | -40°C to +125°C | | 1 | | |

6.7 ±20 V Dual Supply: Electrical Characteristics (continued)

$V_{DD} = +20\text{ V} \pm 10\%$, $V_{SS} = -20\text{ V} \pm 10\%$, GND = 0 V (unless otherwise noted)

Typical at $V_{DD} = +20\text{ V}$, $V_{SS} = -20\text{ V}$, $T_A = 25^\circ\text{C}$ (unless otherwise noted)

| PARAMETER | TEST CONDITIONS | T_A | MIN | TYP | MAX | UNIT |
|-------------------|---|---|-----------------|------|-----|------|
| $I_{SS(FA)}$ | V _{SS} supply current under fault | $V_S = \pm 60\text{ V}$, $V_{DD} = 22\text{ V}$, $V_{SS} = -22\text{ V}$, $V_{SELX} = V_{DR} = 0\text{ V}$, 5 V, or V_{DD} , $V_{EN} = 5\text{ V}$ or V_{DD} | 25°C | 0.2 | 0.7 | mA |
| | | | -40°C to +85°C | | 1 | |
| | | | -40°C to +125°C | | 1 | |
| $I_{GND(FA)}$ | GND current under fault | $V_S = \pm 60\text{ V}$, $V_{DD} = 22\text{ V}$, $V_{SS} = -22\text{ V}$, $V_{SELX} = V_{DR} = 0\text{ V}$, 5 V, or V_{DD} , $V_{EN} = 5\text{ V}$ or V_{DD} | 25°C | 0.15 | | mA |
| $I_{DD(DISABLE)}$ | V _{DD} supply current (disable mode) | $V_{DD} = 22\text{ V}$, $V_{SS} = -22\text{ V}$, $V_{SELX} = V_{DR} = 0\text{ V}$, 5 V, or V_{DD} , $V_{EN} = 0\text{ V}$ | 25°C | 0.15 | 0.5 | mA |
| | | | -40°C to +85°C | | 0.5 | |
| | | | -40°C to +125°C | | 0.5 | |
| $I_{SS(DISABLE)}$ | V _{SS} supply current (disable mode) | $V_{DD} = 22\text{ V}$, $V_{SS} = -22\text{ V}$, $V_{SELX} = V_{DR} = 0\text{ V}$, 5 V, or V_{DD} , $V_{EN} = 0\text{ V}$ | 25°C | 0.1 | 0.4 | mA |
| | | | -40°C to +85°C | | 0.4 | |
| | | | -40°C to +125°C | | 0.4 | |

(1) When V_S is positive, V_D is negative. And when V_S is negative, V_D is positive.

(2) When V_S is at a voltage potential, V_D is floating. And when V_D is at a voltage potential, V_S is floating.

6.8 12 V Single Supply: Electrical Characteristics

 $V_{DD} = +12\text{ V} \pm 10\%$, $V_{SS} = 0\text{ V}$, $GND = 0\text{ V}$ (unless otherwise noted)

Typical at $V_{DD} = +12\text{ V}$, $V_{SS} = 0\text{ V}$, $T_A = 25^\circ\text{C}$ (unless otherwise noted)

| PARAMETER | | TEST CONDITIONS | T_A | MIN | TYP | MAX | UNIT |
|------------------------------|---|---|-----------------|------|-----------|-----------|-------------------------|
| ANALOG SWITCH | | | | | | | |
| R_{ON} | On-resistance | $V_S = 0\text{ V to } 7.8\text{ V}$, $I_S = -10\text{ mA}$ | 25°C | 8.6 | 11 | | Ω |
| | | | -40°C to +85°C | | | 15 | |
| | | | -40°C to +125°C | | | 18 | |
| ΔR_{ON} | On-resistance mismatch between channels | $V_S = 0\text{ V to } 7.8\text{ V}$, $I_S = -10\text{ mA}$ | 25°C | 0.06 | 0.5 | | Ω |
| | | | -40°C to +85°C | | | 0.6 | |
| | | | -40°C to +125°C | | | 0.7 | |
| R_{FLAT} | On-resistance flatness | $V_S = 0\text{ V to } 7.8\text{ V}$, $I_S = -10\text{ mA}$ | 25°C | 0.06 | 0.4 | | Ω |
| | | | -40°C to +85°C | | | 0.5 | |
| | | | -40°C to +125°C | | | 0.5 | |
| R_{ON_DRIFT} | On-resistance drift | $V_S = 6\text{ V}$, $I_S = -10\text{ mA}$ | -40°C to +125°C | | 0.04 | | $\Omega/^\circ\text{C}$ |
| $I_{S(OFF)}$ | Input leakage current ⁽¹⁾ | $V_{DD} = 13.2\text{ V}$, $V_{SS} = 0\text{ V}$ Switch state is off $V_S = 10\text{ V} / 1\text{ V}$ $V_D = 1\text{ V} / 10\text{ V}$ | 25°C | -0.7 | 0.03 | 0.7 | nA |
| | | | -40°C to +85°C | | | 2 | |
| | | | -40°C to +125°C | | | 11 | |
| $I_{D(OFF)}$ | Output off leakage current ⁽¹⁾ | $V_{DD} = 13.2\text{ V}$, $V_{SS} = 0\text{ V}$ Switch state is off $V_S = 10\text{ V} / 1\text{ V}$ $V_D = 1\text{ V} / 10\text{ V}$ | 25°C | -1.4 | 0.06 | 1.4 | nA |
| | | | -40°C to +85°C | | | 4 | |
| | | | -40°C to +125°C | | | 24 | |
| $I_{S(ON)}$ $I_{D(ON)}$ | Output on leakage current ⁽²⁾ | $V_{DD} = 13.2\text{ V}$, $V_{SS} = 0\text{ V}$ Switch state is on $V_S = V_D = 10\text{ V or } 1\text{ V}$ | 25°C | -1.4 | 0.08 | 1.4 | nA |
| | | | -40°C to +85°C | | | 4 | |
| | | | -40°C to +125°C | | | 26 | |
| FAULT CONDITION | | | | | | | |
| $I_{S(FA)}$ | Input leakage current during overvoltage | $V_S = \pm 60\text{ V}$, $GND = 0\text{ V}$, $V_{DD} = 13.2\text{ V}$, $V_{SS} = 0\text{ V}$ | -40°C to +125°C | | ± 130 | | μA |
| $I_{S(FA)} \text{ Grounded}$ | Input leakage current during overvoltage with grounded supply voltages | $V_S = \pm 60\text{ V}$, $GND = 0\text{ V}$, $V_{DD} = V_{SS} = 0\text{ V}$ | -40°C to +125°C | | ± 125 | | μA |
| $I_{S(FA)} \text{ Floating}$ | Input leakage current during overvoltage with floating supply voltages | $V_S = \pm 60\text{ V}$, $GND = 0\text{ V}$, $V_{DD} = V_{SS} = \text{floating}$ | -40°C to +125°C | | ± 125 | | μA |
| $I_{D(FA)}$ | Output leakage current during overvoltage | $V_S = \pm 60\text{ V}$, $GND = 0\text{ V}$, $V_{DD} = 13.2\text{ V}$, $V_{SS} = 0\text{ V}$ | 25°C | -20 | ± 2 | 20 | nA |
| | | | -40°C to +85°C | | | 30 | |
| | | | -40°C to +125°C | | | 50 | |
| $I_{D(FA)} \text{ Grounded}$ | Output leakage current during overvoltage with grounded supply voltages | $V_S = \pm 60\text{ V}$, $GND = 0\text{ V}$, $V_{DD} = V_{SS} = 0\text{ V}$ | 25°C | -30 | ± 10 | 30 | nA |
| | | | -40°C to +85°C | | | 50 | |
| | | | -40°C to +125°C | | | 90 | |
| $I_{D(FA)} \text{ Floating}$ | Output leakage current during overvoltage with floating supply voltages | $V_S = \pm 60\text{ V}$, $GND = 0\text{ V}$, $V_{DD} = V_{SS} = \text{floating}$ | 25°C | | ± 4 | | μA |
| | | | -40°C to +85°C | | | ± 6 | |
| | | | -40°C to +125°C | | | ± 8 | |
| I_{IH} | High-level input current | $V_{EN} = V_{SELX} = V_{DR} = V_{DD}$ | 25°C | | | ± 1.6 | μA |
| | | | -40°C to +125°C | | | ± 2 | |
| I_{IL} | Low-level input current | $V_{EN} = V_{SELX} = V_{DR} = 0$ | 25°C | | | ± 1 | μA |
| | | | -40°C to +125°C | | | ± 1.1 | |

6.8 12 V Single Supply: Electrical Characteristics (continued)

$V_{DD} = +12\text{ V} \pm 10\%$, $V_{SS} = 0\text{ V}$, $GND = 0\text{ V}$ (unless otherwise noted)

Typical at $V_{DD} = +12\text{ V}$, $V_{SS} = 0\text{ V}$, $T_A = 25^\circ\text{C}$ (unless otherwise noted)

| PARAMETER | | TEST CONDITIONS | T_A | MIN | TYP | MAX | UNIT |
|----------------------------------|--------------------------------------|---|-----------------|--------|------|---------------|------|
| SWITCHING CHARACTERISTICS | | | | | | | |
| $t_{ON(EN)}$ | Enable turn-on time | $V_S = 8\text{ V}$, $R_L = 300\ \Omega$, $C_L = 12\text{ pF}$ | 25°C | 350 | 515 | ns | |
| | | | -40°C to +85°C | | 530 | | |
| | | | -40°C to +125°C | | 550 | | |
| $t_{OFF(EN)}$ | Enable turn-off time | $V_S = 8\text{ V}$, $R_L = 300\ \Omega$, $C_L = 12\text{ pF}$ | 25°C | 85 | 200 | ns | |
| | | | -40°C to +85°C | | 210 | | |
| | | | -40°C to +125°C | | 210 | | |
| t_{TRAN} | Transition time | $V_S = 8\text{ V}$, $R_L = 300\ \Omega$, $C_L = 12\text{ pF}$ | 25°C | 360 | 520 | ns | |
| | | | -40°C to +85°C | | 540 | | |
| | | | -40°C to +125°C | | 560 | | |
| $t_{RESPONSE}$ | Fault response time | $R_L = 300\ \Omega$, $C_L = 12\text{ pF}$ | 25°C | 180 | 765 | ns | |
| | | | -40°C to +85°C | | 765 | | |
| | | | -40°C to +125°C | | 765 | | |
| $t_{RECOVERY}$ | Fault recovery time | $R_L = 300\ \Omega$, $C_L = 12\text{ pF}$ | 25°C | 950 | 2400 | ns | |
| | | | -40°C to +85°C | | 2900 | | |
| | | | -40°C to +125°C | | 2900 | | |
| $t_{RESPONSE(FLAG)}$ | Fault flag response time | $R_L = 300\ \Omega$, $C_L = 12\text{ pF}$, $R_{PU} = 1\text{ k}\Omega$, $C_{L_XF} = 12\text{ pF}$ | 25°C | 160 | | ns | |
| $t_{RECOVERY(FLAG)}$ | Fault flag recovery time | $R_L = 300\ \Omega$, $C_L = 12\text{ pF}$, $R_{PU} = 1\text{ k}\Omega$, $C_{L_XF} = 12\text{ pF}$ | 25°C | 0.7 | | μs | |
| t_{BBM} | Break-before-make time delay | $V_S = 8\text{ V}$, $R_L = 300\ \Omega$, $C_L = 12\text{ pF}$ | 25°C | 155 | 250 | ns | |
| Q_{INJ} | Charge injection | $V_S = 6\text{ V}$, $C_L = 1\text{ nF}$ | 25°C | -203 | | pC | |
| O_{ISO} | Off-isolation | $R_S = 50\ \Omega$, $R_L = 50\ \Omega$, $C_L = 5\text{ pF}$, $V_S = 200\text{ mV}_{RMS}$, $V_{BIAS} = 0\text{ V}$, $f = 1\text{ MHz}$ | 25°C | -56 | | dB | |
| X_{TALK} | Intra-channel crosstalk | $R_S = 50\ \Omega$, $R_L = 50\ \Omega$, $C_L = 5\text{ pF}$, $V_S = 200\text{ mV}_{RMS}$, $V_{BIAS} = 6\text{ V}$, $f = 1\text{ MHz}$ | 25°C | -58 | | dB | |
| | Inter-channel crosstalk | $R_S = 50\ \Omega$, $R_L = 50\ \Omega$, $C_L = 5\text{ pF}$, $V_S = 200\text{ mV}_{RMS}$, $V_{BIAS} = 6\text{ V}$, $f = 1\text{ MHz}$ | 25°C | -81 | | | |
| BW | -3 dB bandwidth | $R_S = 50\ \Omega$, $R_L = 50\ \Omega$, $C_L = 5\text{ pF}$, $V_S = 200\text{ mV}_{RMS}$, $V_{BIAS} = 0\text{ V}$ | 25°C | | 213 | MHz | |
| I_{LOSS} | Insertion loss | $R_S = 50\ \Omega$, $R_L = 50\ \Omega$, $C_L = 5\text{ pF}$, $V_S = 200\text{ mV}_{RMS}$, $V_{BIAS} = 0\text{ V}$, $f = 1\text{ MHz}$ | 25°C | -0.7 | | dB | |
| THD+N | Total harmonic distortion plus noise | $R_S = 50\ \Omega$, $R_L = 10\text{ k}\Omega$, $V_S = 6\text{ V}_{PP}$, $V_{BIAS} = 6\text{ V}$, $f = 20\text{ Hz to } 20\text{ kHz}$ | 25°C | 0.0009 | | % | |
| $C_{S(OFF)}$ | Input off-capacitance | $f = 1\text{ MHz}$, $V_S = 6\text{ V}$ | 25°C | 13 | | pF | |
| $C_{D(OFF)}$ | Output off-capacitance | $f = 1\text{ MHz}$, $V_S = 6\text{ V}$ | 25°C | 28 | | pF | |
| $C_{S(ON)}$ $C_{D(ON)}$ | Input/Output on-capacitance | $f = 1\text{ MHz}$, $V_S = 6\text{ V}$ | 25°C | 31 | | pF | |
| POWER SUPPLY | | | | | | | |
| I_{DD} | V_{DD} supply current | $V_{DD} = 13.2\text{ V}$, $V_{SS} = 0\text{ V}$, $V_{SELX} = V_{DR} = 0\text{ V}$, 5 V , or V_{DD} , $V_{EN} = 5\text{ V}$ or V_{DD} | 25°C | 0.3 | 0.5 | mA | |
| | | | -40°C to +85°C | | 0.5 | | |
| | | | -40°C to +125°C | | 0.6 | | |
| I_{SS} | V_{SS} supply current | $V_{DD} = 13.2\text{ V}$, $V_{SS} = 0\text{ V}$, $V_{SELX} = V_{DR} = 0\text{ V}$, 5 V , or V_{DD} , $V_{EN} = 5\text{ V}$ or V_{DD} | 25°C | 0.14 | 0.4 | mA | |
| | | | -40°C to +85°C | | 0.4 | | |
| | | | -40°C to +125°C | | 0.4 | | |
| I_{GND} | GND current | $V_{DD} = 13.2\text{ V}$, $V_{SS} = 0\text{ V}$, $V_{SELX} = V_{DR} = 0\text{ V}$, 5 V , or V_{DD} , $V_{EN} = 5\text{ V}$ or V_{DD} | 25°C | 0.06 | | mA | |
| $I_{DD(FA)}$ | V_{DD} supply current under fault | $V_S = \pm 60\text{ V}$, $V_{DD} = 13.2\text{ V}$, $V_{SS} = 0\text{ V}$, $V_{SELX} = V_{DR} = 0\text{ V}$, 5 V , or V_{DD} , $V_{EN} = 5\text{ V}$ or V_{DD} | 25°C | 0.25 | 0.6 | mA | |
| | | | -40°C to +85°C | | 0.7 | | |
| | | | -40°C to +125°C | | 0.7 | | |

6.8 12 V Single Supply: Electrical Characteristics (continued)

$V_{DD} = +12\text{ V} \pm 10\%$, $V_{SS} = 0\text{ V}$, $GND = 0\text{ V}$ (unless otherwise noted)

Typical at $V_{DD} = +12\text{ V}$, $V_{SS} = 0\text{ V}$, $T_A = 25^\circ\text{C}$ (unless otherwise noted)

| PARAMETER | TEST CONDITIONS | T_A | MIN | TYP | MAX | UNIT |
|-------------------|--|---|-----------------|------|-----|------|
| $I_{SS(FA)}$ | V_{SS} supply current under fault | $V_S = \pm 60\text{ V}$, $V_{DD} = 13.2\text{ V}$, $V_{SS} = 0\text{ V}$, $V_{SELX} = V_{DR} = 0\text{ V}$, 5 V , or V_{DD} , $V_{EN} = 5\text{ V}$ or V_{DD} | 25°C | 0.15 | 0.5 | mA |
| | | | -40°C to +85°C | | 0.5 | |
| | | | -40°C to +125°C | | 0.5 | |
| $I_{GND(FA)}$ | GND current under fault | $V_S = \pm 60\text{ V}$, $V_{DD} = 13.2\text{ V}$, $V_{SS} = 0\text{ V}$, $V_{SELX} = V_{DR} = 0\text{ V}$, 5 V , or V_{DD} , $V_{EN} = 5\text{ V}$ or V_{DD} | 25°C | 0.15 | | mA |
| $I_{DD(DISABLE)}$ | V_{DD} supply current (disable mode) | $V_{DD} = 13.2\text{ V}$, $V_{SS} = 0\text{ V}$, $V_{SELX} = V_{DR} = 0\text{ V}$, 5 V , or V_{DD} , $V_{EN} = 0\text{ V}$ | 25°C | 0.15 | 0.5 | mA |
| | | | -40°C to +85°C | | 0.5 | |
| | | | -40°C to +125°C | | 0.5 | |
| $I_{SS(DISABLE)}$ | V_{SS} supply current (disable mode) | $V_{DD} = 13.2\text{ V}$, $V_{SS} = 0\text{ V}$, $V_{SELX} = V_{DR} = 0\text{ V}$, 5 V , or V_{DD} , $V_{EN} = 0\text{ V}$ | 25°C | 0.1 | 0.4 | mA |
| | | | -40°C to +85°C | | 0.4 | |
| | | | -40°C to +125°C | | 0.4 | |

(1) When V_S is 10 V, V_D is 1 V. Or when V_S is 1 V, V_D is 10 V.

(2) When V_S is at a voltage potential, V_D is floating. Or when V_D is at a voltage potential, V_S is floating.

6.9 36 V Single Supply: Electrical Characteristics

$V_{DD} = +36\text{ V} \pm 10\%$, $V_{SS} = 0\text{ V}$, $GND = 0\text{ V}$ (unless otherwise noted)

Typical at $V_{DD} = +36\text{ V}$, $V_{SS} = 0\text{ V}$, $T_A = 25^\circ\text{C}$ (unless otherwise noted)

| PARAMETER | | TEST CONDITIONS | T_A | MIN | TYP | MAX | UNIT |
|------------------------------|---|---|-----------------|------|------|-----|-------------------------|
| ANALOG SWITCH | | | | | | | |
| R_{ON} | On-resistance | $V_S = 0\text{ V to }30\text{ V}$, $I_S = -10\text{ mA}$ | 25°C | 8.6 | 11 | | Ω |
| | | | -40°C to +85°C | | | 14 | |
| | | | -40°C to +125°C | | | 17 | |
| ΔR_{ON} | On-resistance mismatch between channels | $V_S = 0\text{ V to }30\text{ V}$, $I_S = -10\text{ mA}$ | 25°C | 0.06 | 0.5 | | Ω |
| | | | -40°C to +85°C | | | 0.6 | |
| | | | -40°C to +125°C | | | 0.7 | |
| R_{FLAT} | On-resistance flatness | $V_S = 0\text{ V to }30\text{ V}$, $I_S = -10\text{ mA}$ | 25°C | 0.07 | 0.4 | | Ω |
| | | | -40°C to +85°C | | | 0.5 | |
| | | | -40°C to +125°C | | | 0.5 | |
| R_{ON_DRIFT} | On-resistance drift | $V_S = 18\text{ V}$, $I_S = -1\text{ mA}$ | -40°C to +125°C | 0.04 | | | $\Omega/^\circ\text{C}$ |
| $I_{S(OFF)}$ | Input leakage current ⁽¹⁾ | $V_{DD} = 39.6\text{ V}$, $V_{SS} = 0\text{ V}$ Switch state is off $V_S = 30\text{ V} / 1\text{ V}$ $V_D = 1\text{ V} / 30\text{ V}$ | 25°C | -0.7 | 0.05 | 0.7 | nA |
| | | | -40°C to +85°C | -2 | | 2 | |
| | | | -40°C to +125°C | -11 | | 11 | |
| $I_{D(OFF)}$ | Output off leakage current ⁽¹⁾ | $V_{DD} = 39.6\text{ V}$, $V_{SS} = 0\text{ V}$ Switch state is off $V_S = 30\text{ V} / 1\text{ V}$ $V_D = 1\text{ V} / 30\text{ V}$ | 25°C | -1.4 | 0.1 | 1.4 | nA |
| | | | -40°C to +85°C | -4 | | 4 | |
| | | | -40°C to +125°C | -24 | | 24 | |
| $I_{S(ON)}$ $I_{D(ON)}$ | Output on leakage current ⁽²⁾ | $V_{DD} = 39.6\text{ V}$, $V_{SS} = 0\text{ V}$ Switch state is on $V_S = V_D = 30\text{ V or }1\text{ V}$ | 25°C | -1.4 | 0.15 | 1.4 | nA |
| | | | -40°C to +85°C | -4 | | 4 | |
| | | | -40°C to +125°C | -27 | | 27 | |
| FAULT CONDITION | | | | | | | |
| $I_{S(FA)}$ | Input leakage current during overvoltage | $V_S = 60 / -40\text{ V}$, $V_{DD} = 39.6\text{ V}$, $V_{SS} = 0\text{ V}$, $GND = 0\text{ V}$ | -40°C to +125°C | ±90 | | | μA |
| $I_{S(FA)} \text{ Grounded}$ | Input leakage current during overvoltage with grounded supply voltages | $V_S = \pm 60\text{ V}$, $V_{DD} = V_{SS} = 0\text{ V}$, $GND = 0\text{ V}$ | -40°C to +125°C | ±125 | | | μA |
| $I_{S(FA)} \text{ Floating}$ | Input leakage current during overvoltage with floating supply voltages | $V_S = \pm 60\text{ V}$, $V_{DD} = V_{SS} = \text{floating}$, $GND = 0\text{ V}$, | -40°C to +125°C | ±125 | | | μA |
| $I_{D(FA)}$ | Output leakage current during overvoltage | $V_S = 60 / -40\text{ V}$, $V_{DD} = 39.6\text{ V}$, $V_{SS} = 0$, $GND = 0\text{V}$ | 25°C | -20 | ±2 | 20 | nA |
| | | | -40°C to +85°C | -30 | | 30 | |
| | | | -40°C to +125°C | -60 | | 60 | |
| $I_{D(FA)} \text{ Grounded}$ | Output leakage current during overvoltage with grounded supply voltages | $V_S = \pm 60\text{ V}$, $GND = 0\text{ V}$, $V_{DD} = V_{SS} = 0\text{ V}$ | 25°C | -30 | ±10 | 30 | nA |
| | | | -40°C to +85°C | -50 | | 50 | |
| | | | -40°C to +125°C | -90 | | 90 | |
| $I_{D(FA)} \text{ Floating}$ | Output leakage current during overvoltage with floating supply voltages | $V_S = \pm 60\text{ V}$, $GND = 0\text{ V}$, $V_{DD} = V_{SS} = \text{floating}$ | 25°C | ±4 | | | μA |
| | | | -40°C to +85°C | ±6 | | | |
| | | | -40°C to +125°C | ±8 | | | |
| I_{IH} | High-level input current | $V_{EN} = V_{SELX} = V_{DR} = V_{DD}$ | 25°C | ±2.7 | | | μA |
| | | | -40°C to +125°C | ±3.1 | | | |
| I_{IL} | Low-level input current | $V_{EN} = V_{SELX} = V_{DR} = 0$ | 25°C | ±1 | | | μA |
| | | | -40°C to +125°C | ±1.1 | | | |

6.9 36 V Single Supply: Electrical Characteristics (continued)

 $V_{DD} = +36\text{ V} \pm 10\%$, $V_{SS} = 0\text{ V}$, $GND = 0\text{ V}$ (unless otherwise noted)

 Typical at $V_{DD} = +36\text{ V}$, $V_{SS} = 0\text{ V}$, $T_A = 25^\circ\text{C}$ (unless otherwise noted)

| PARAMETER | | TEST CONDITIONS | T_A | MIN | TYP | MAX | UNIT |
|----------------------------------|--------------------------------------|---|-----------------|--------|------|---------------|------|
| SWITCHING CHARACTERISTICS | | | | | | | |
| $t_{ON(EN)}$ | Enable turn-on time | $V_S = 18\text{ V}$, $R_L = 300\ \Omega$, $C_L = 12\text{ pF}$ | 25°C | 370 | 520 | ns | |
| | | | -40°C to +85°C | 550 | | | |
| | | | -40°C to +125°C | 560 | | | |
| $t_{OFF(EN)}$ | Enable turn-off time | $V_S = 18\text{ V}$, $R_L = 300\ \Omega$, $C_L = 12\text{ pF}$ | 25°C | 100 | 210 | ns | |
| | | | -40°C to +85°C | 230 | | | |
| | | | -40°C to +125°C | 230 | | | |
| t_{TRAN} | Transition time | $V_S = 18\text{ V}$, $R_L = 300\ \Omega$, $C_L = 12\text{ pF}$ | 25°C | 365 | 540 | ns | |
| | | | -40°C to +85°C | 560 | | | |
| | | | -40°C to +125°C | 570 | | | |
| $t_{RESPONSE}$ | Fault response time | $R_L = 300\ \Omega$, $C_L = 12\text{ pF}$ | 25°C | 120 | 340 | ns | |
| | | | -40°C to +85°C | 360 | | | |
| | | | -40°C to +125°C | 385 | | | |
| $t_{RECOVERY}$ | Fault recovery time | $R_L = 300\ \Omega$, $C_L = 12\text{ pF}$ | 25°C | 1250 | 2350 | ns | |
| | | | -40°C to +85°C | 2850 | | | |
| | | | -40°C to +125°C | 2850 | | | |
| $t_{RESPONSE(FLAG)}$ | Fault flag response time | $R_L = 300\ \Omega$, $C_L = 12\text{ pF}$, $R_{PU} = 1\text{ k}\Omega$, $C_{L_XF} = 12\text{ pF}$ | 25°C | 100 | | ns | |
| $t_{RECOVERY(FLAG)}$ | Fault flag recovery time | $R_L = 300\ \Omega$, $C_L = 12\text{ pF}$, $R_{PU} = 1\text{ k}\Omega$, $C_{L_XF} = 12\text{ pF}$ | 25°C | 1 | | μs | |
| t_{BBM} | Break-before-make time delay | $V_S = 18\text{ V}$, $R_L = 300\ \Omega$, $C_L = 12\text{ pF}$ | 25°C | 160 | 270 | ns | |
| Q_{INJ} | Charge injection | $V_S = 18\text{ V}$, $C_L = 1\text{ nF}$ | 25°C | -300 | | pC | |
| O_{ISO} | Off-isolation | $R_S = 50\ \Omega$, $R_L = 50\ \Omega$, $C_L = 5\text{ pF}$, $V_S = 200\text{ mV}_{RMS}$, $V_{BIAS} = 6\text{ V}$, $f = 1\text{ MHz}$ | 25°C | -56 | | dB | |
| X_{TALK} | Intra-channel crosstalk | $R_S = 50\ \Omega$, $R_L = 50\ \Omega$, $C_L = 5\text{ pF}$, $V_S = 200\text{ mV}_{RMS}$, $V_{BIAS} = 6\text{ V}$, $f = 1\text{ MHz}$ | 25°C | -59 | | dB | |
| | Inter-channel crosstalk | $R_S = 50\ \Omega$, $R_L = 50\ \Omega$, $C_L = 5\text{ pF}$, $V_S = 200\text{ mV}_{RMS}$, $V_{BIAS} = 6\text{ V}$, $f = 1\text{ MHz}$ | 25°C | -80 | | | |
| BW | -3 dB bandwidth | $R_S = 50\ \Omega$, $R_L = 50\ \Omega$, $C_L = 5\text{ pF}$, $V_S = 200\text{ mV}_{RMS}$, $V_{BIAS} = 6\text{ V}$ | 25°C | 215 | | MHz | |
| I_{LOSS} | Insertion loss | $R_S = 50\ \Omega$, $R_L = 50\ \Omega$, $C_L = 5\text{ pF}$, $V_S = 200\text{ mV}_{RMS}$, $V_{BIAS} = 6\text{ V}$, $f = 1\text{ MHz}$ | 25°C | -0.7 | | dB | |
| THD+N | Total harmonic distortion plus noise | $R_S = 50\ \Omega$, $R_L = 10\text{ k}\Omega$, $V_S = 18\text{ V}_{PP}$, $V_{BIAS} = 18\text{ V}$, $f = 20\text{ Hz to } 20\text{ kHz}$ | 25°C | 0.0008 | | % | |
| $C_{S(OFF)}$ | Input off-capacitance | $f = 1\text{ MHz}$, $V_S = 18\text{ V}$ | 25°C | 14 | | pF | |
| $C_{D(OFF)}$ | Output off-capacitance | $f = 1\text{ MHz}$, $V_S = 18\text{ V}$ | 25°C | 28 | | pF | |
| $C_{S(ON)}$ $C_{D(ON)}$ | Input/Output on-capacitance | $f = 1\text{ MHz}$, $V_S = 18\text{ V}$ | 25°C | 31 | | pF | |
| POWER SUPPLY | | | | | | | |
| I_{DD} | V_{DD} supply current | $V_{DD} = 39.6\text{ V}$, $V_{SS} = 0\text{ V}$, $V_{SELX} = V_{DR} = 0\text{ V}$, 5 V , or V_{DD} , $V_{EN} = 5\text{ V}$ or V_{DD} | 25°C | 0.3 | 0.5 | mA | |
| | | | -40°C to +85°C | 0.5 | | | |
| | | | -40°C to +125°C | 0.6 | | | |
| I_{SS} | V_{SS} supply current | $V_{DD} = 39.6\text{ V}$, $V_{SS} = 0\text{ V}$, $V_{SELX} = V_{DR} = 0\text{ V}$, 5 V , or V_{DD} , $V_{EN} = 5\text{ V}$ or V_{DD} | 25°C | 0.14 | 0.4 | mA | |
| | | | -40°C to +85°C | 0.4 | | | |
| | | | -40°C to +125°C | 0.4 | | | |
| I_{GND} | GND current | $V_{DD} = 39.6\text{ V}$, $V_{SS} = 0\text{ V}$, $V_{SELX} = V_{DR} = 0\text{ V}$, 5 V , or V_{DD} , $V_{EN} = 5\text{ V}$ or V_{DD} | 25°C | 0.06 | | mA | |
| $I_{DD(FA)}$ | V_{DD} supply current under fault | $V_S = 60 / -40\text{ V}$, $V_{DD} = 39.6\text{ V}$, $V_{SS} = 0\text{ V}$, $V_{SELX} = V_{DR} = 0\text{ V}$, 5 V , or V_{DD} , $V_{EN} = 5\text{ V}$ or V_{DD} | 25°C | 0.25 | 1.2 | mA | |
| | | | -40°C to +85°C | 1.6 | | | |
| | | | -40°C to +125°C | 1.6 | | | |

6.9 36 V Single Supply: Electrical Characteristics (continued)

$V_{DD} = +36\text{ V} \pm 10\%$, $V_{SS} = 0\text{ V}$, $GND = 0\text{ V}$ (unless otherwise noted)

Typical at $V_{DD} = +36\text{ V}$, $V_{SS} = 0\text{ V}$, $T_A = 25^\circ\text{C}$ (unless otherwise noted)

| PARAMETER | TEST CONDITIONS | T_A | MIN | TYP | MAX | UNIT |
|-------------------|--|---|-----|------|-----|------|
| $I_{SS(FA)}$ | V_{SS} supply current under fault $V_S = 60 / -40\text{ V}$, $V_{DD} = 39.6\text{ V}$, $V_{SS} = 0\text{ V}$, $V_{SELx} = V_{DR} = 0\text{ V}$, 5 V , or V_{DD} , $V_{EN} = 5\text{ V}$ or V_{DD} | 25°C | | 0.15 | 0.5 | mA |
| | | -40°C to $+85^\circ\text{C}$ | | | 0.5 | |
| | | -40°C to $+125^\circ\text{C}$ | | | 0.5 | |
| $I_{GND(FA)}$ | GND current under fault $V_S = 60 / -40\text{ V}$, $V_{DD} = 39.6\text{ V}$, $V_{SS} = 0\text{ V}$, $V_{SELx} = V_{DR} = 0\text{ V}$, 5 V , or V_{DD} , $V_{EN} = 5\text{ V}$ or V_{DD} | 25°C | | 0.1 | | mA |
| $I_{DD(DISABLE)}$ | V_{DD} supply current (disable mode) $V_{DD} = 39.6\text{ V}$, $V_{SS} = 0\text{ V}$, $V_{SELx} = V_{DR} = 0\text{ V}$, 5 V , or V_{DD} , $V_{EN} = 0\text{ V}$ | 25°C | | 0.15 | 0.5 | mA |
| | | -40°C to $+85^\circ\text{C}$ | | | 0.5 | |
| | | -40°C to $+125^\circ\text{C}$ | | | 0.5 | |
| $I_{SS(DISABLE)}$ | V_{SS} supply current (disable mode) $V_{DD} = 39.6\text{ V}$, $V_{SS} = 0\text{ V}$, $V_{SELx} = V_{DR} = 0\text{ V}$, 5 V , or V_{DD} , $V_{EN} = 0\text{ V}$ | 25°C | | 0.1 | 0.4 | mA |
| | | -40°C to $+85^\circ\text{C}$ | | | 0.4 | |
| | | -40°C to $+125^\circ\text{C}$ | | | 0.4 | |

(1) When V_S is 30 V , V_D is 1 V . Or when V_S is 1 V , V_D is 30 V .

(2) When V_S is at a voltage potential, V_D is floating. Or when V_D is at a voltage potential, V_S is floating.

6.10 Typical Characteristics

at $T_A = 25^\circ\text{C}$, $V_{DD} = 15\text{ V}$, and $V_{SS} = -15\text{ V}$ (unless otherwise noted)

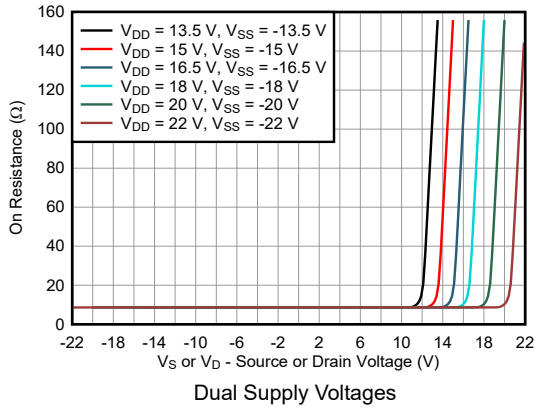


Figure 6-1. On-Resistance vs Source or Drain Voltage

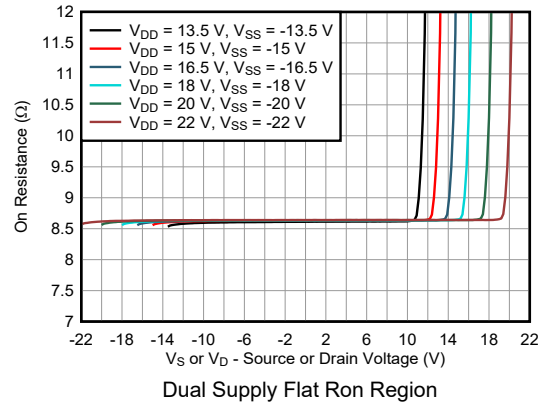


Figure 6-2. On-Resistance vs Source or Drain Voltage

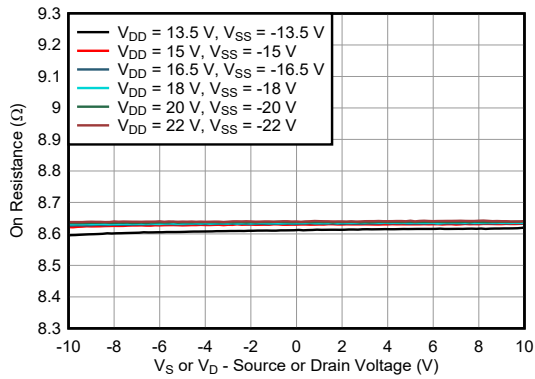


Figure 6-3. On-Resistance vs Source or Drain Voltage

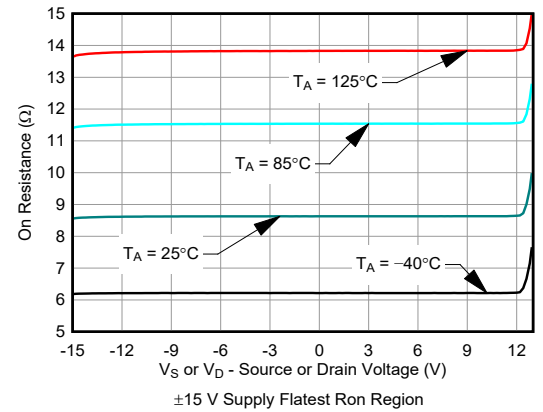


Figure 6-4. On-Resistance vs Source or Drain Voltage

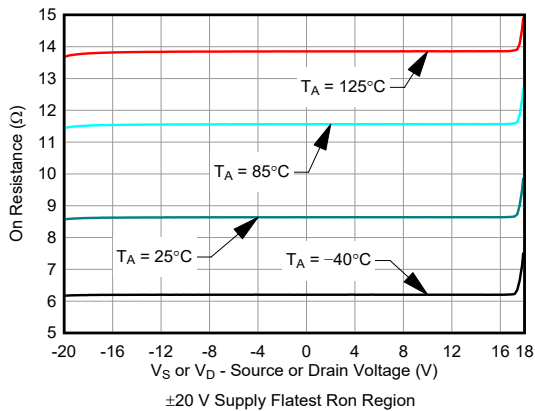


Figure 6-5. On-Resistance vs Source or Drain Voltage

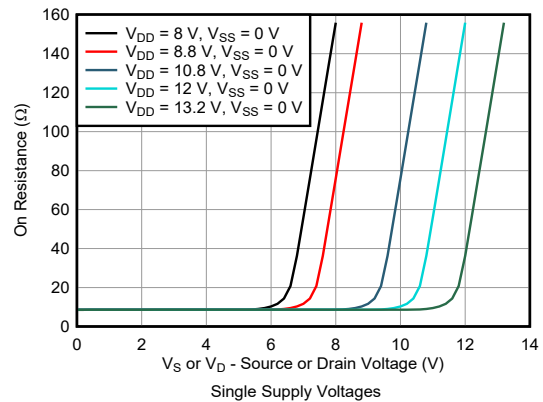


Figure 6-6. On-Resistance vs Source or Drain Voltage

6.10 Typical Characteristics (continued)

at $T_A = 25^\circ\text{C}$, $V_{DD} = 15\text{ V}$, and $V_{SS} = -15\text{ V}$ (unless otherwise noted)

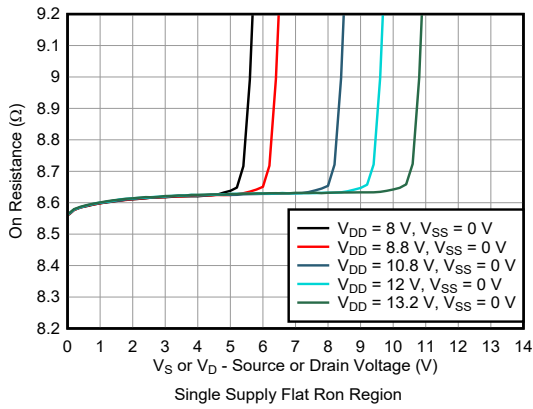


Figure 6-7. On-Resistance vs Source or Drain Voltage

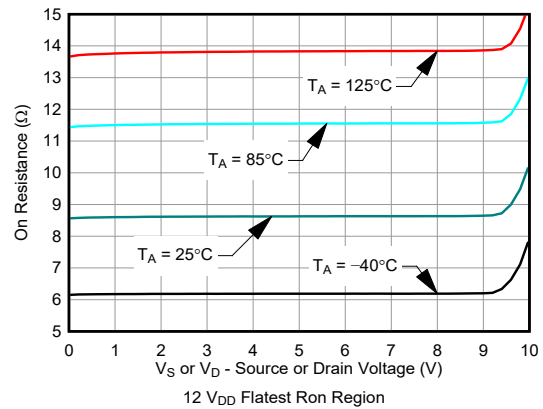


Figure 6-8. On-Resistance vs Source or Drain Voltage

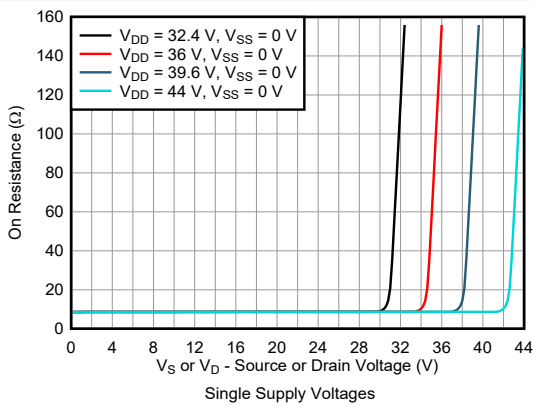


Figure 6-9. On-Resistance vs Source or Drain Voltage

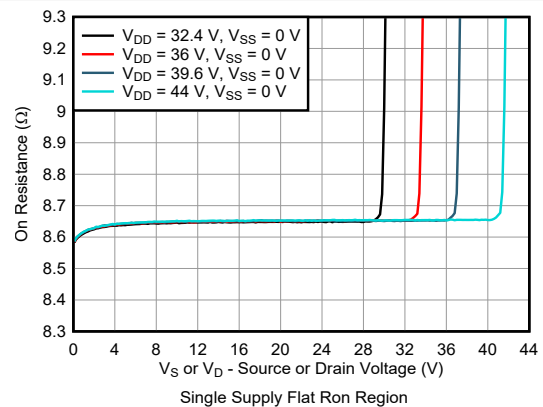


Figure 6-10. On-Resistance vs Source or Drain Voltage

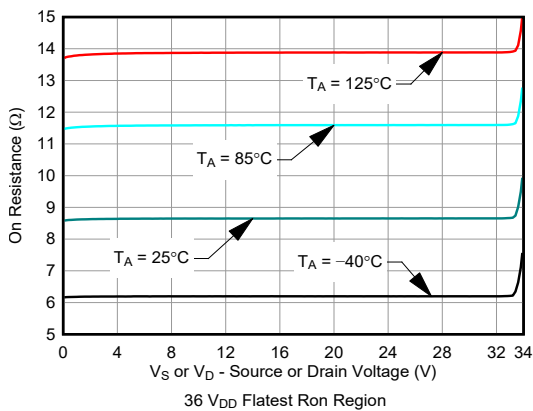


Figure 6-11. On-Resistance vs Source or Drain Voltage

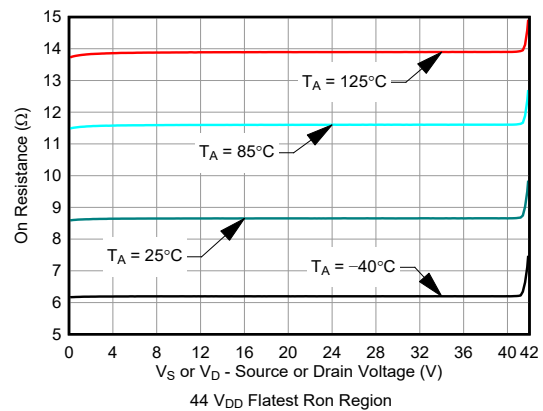


Figure 6-12. On-Resistance vs Source or Drain Voltage

6.10 Typical Characteristics (continued)

at $T_A = 25^\circ\text{C}$, $V_{DD} = 15\text{ V}$, and $V_{SS} = -15\text{ V}$ (unless otherwise noted)

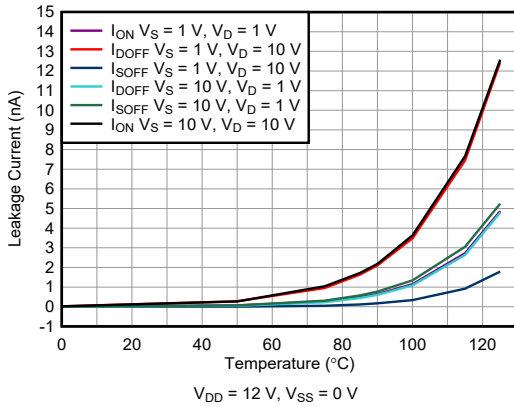


Figure 6-13. Leakage Current vs Temperature

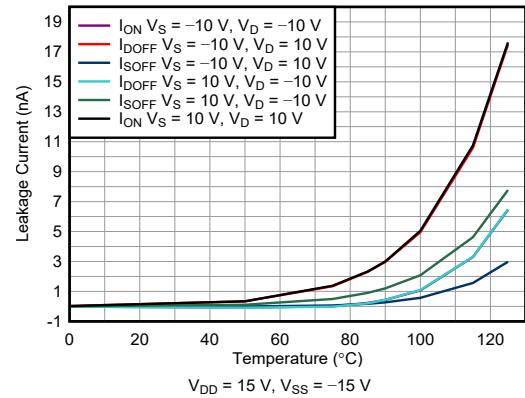


Figure 6-14. Leakage Current vs Temperature

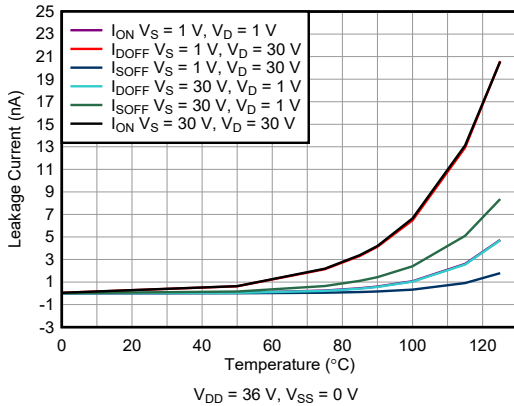


Figure 6-15. Leakage Current vs Temperature

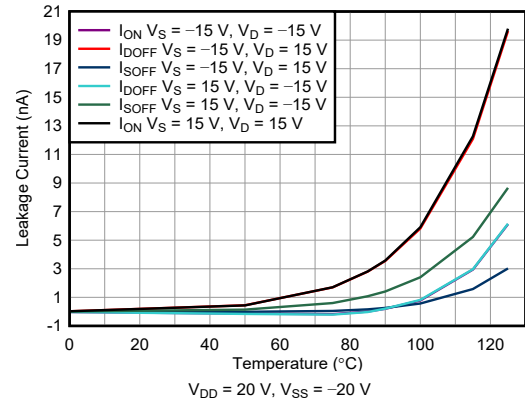


Figure 6-16. Leakage Current vs Temperature

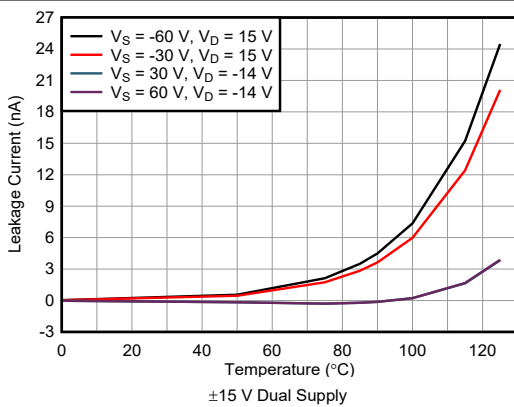


Figure 6-17. $I_{D(FA)}$ Overvoltage Leakage Current vs Temperature

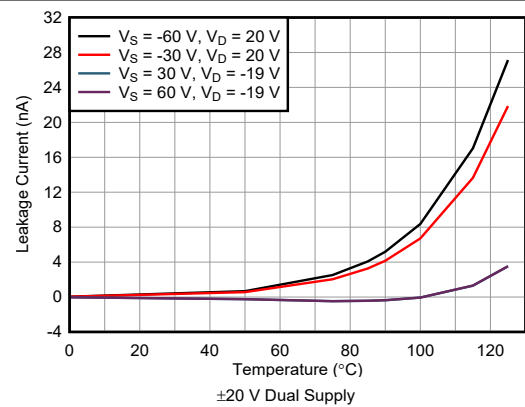


Figure 6-18. $I_{D(FA)}$ Overvoltage Leakage Current vs Temperature

6.10 Typical Characteristics (continued)

at $T_A = 25^\circ\text{C}$, $V_{DD} = 15\text{ V}$, and $V_{SS} = -15\text{ V}$ (unless otherwise noted)

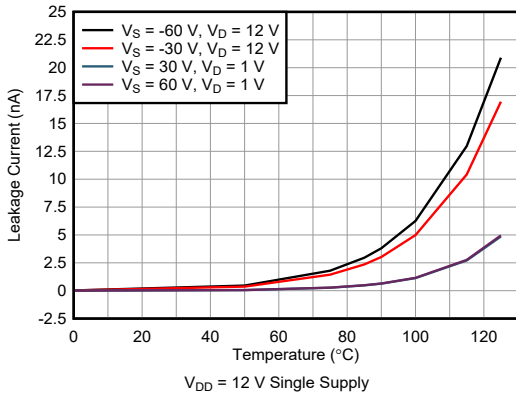


Figure 6-19. $I_{D(FA)}$ Overvoltage Leakage Current vs Temperature

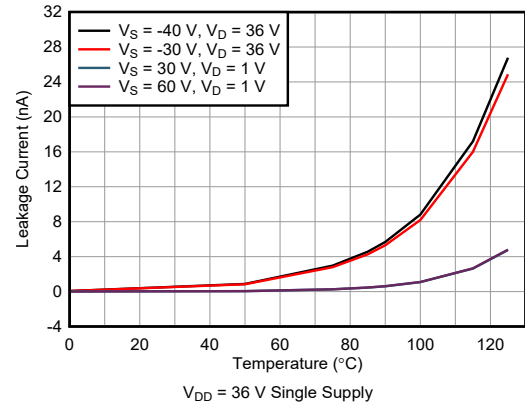


Figure 6-20. $I_{D(FA)}$ Overvoltage Leakage Current vs Temperature

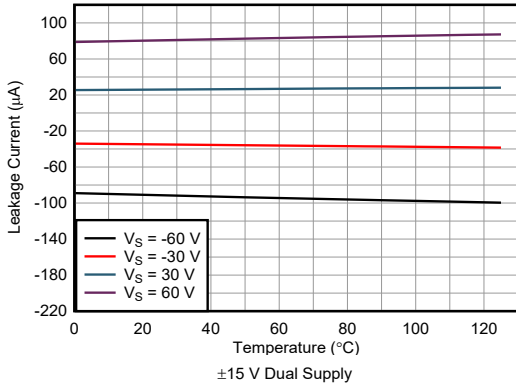


Figure 6-21. $I_{S(FA)}$ Overvoltage Leakage Current vs Temperature

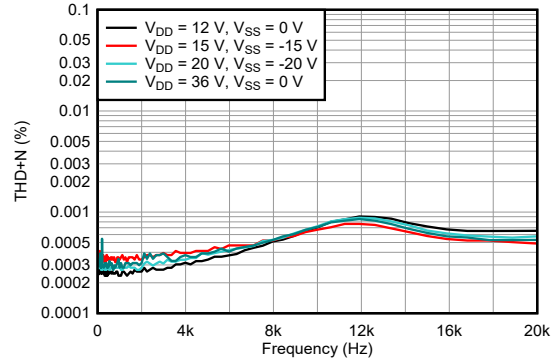


Figure 6-22. THD+N vs Frequency

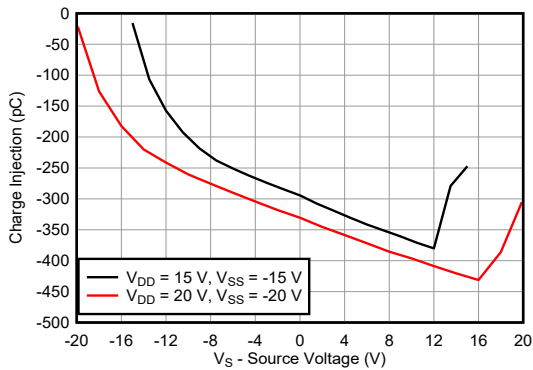


Figure 6-23. Charge Injection vs Source Voltage – Dual Supply

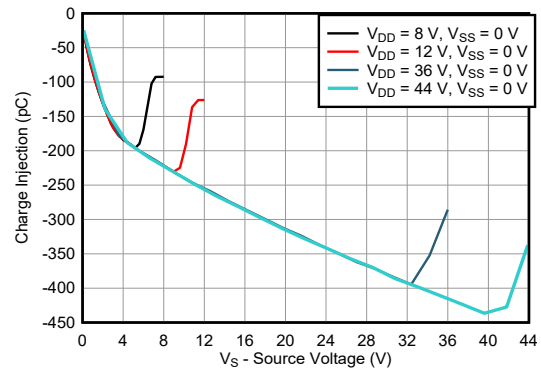


Figure 6-24. Charge Injection vs Source Voltage – Single Supply

6.10 Typical Characteristics (continued)

at $T_A = 25^\circ\text{C}$, $V_{DD} = 15\text{ V}$, and $V_{SS} = -15\text{ V}$ (unless otherwise noted)

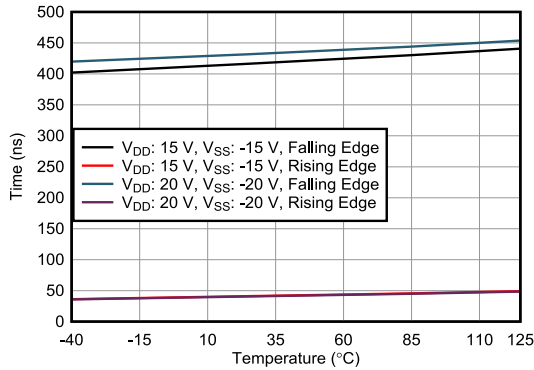


Figure 6-25. Transition Times vs Temperature

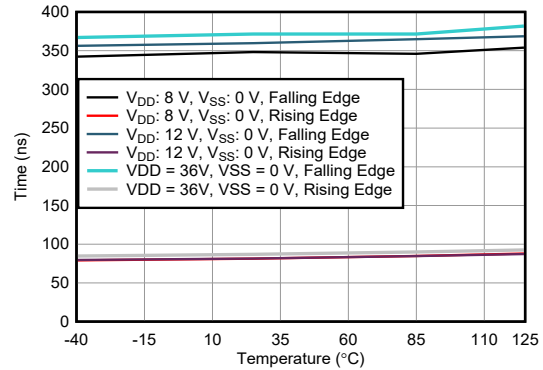


Figure 6-26. Transition Times vs Temperature

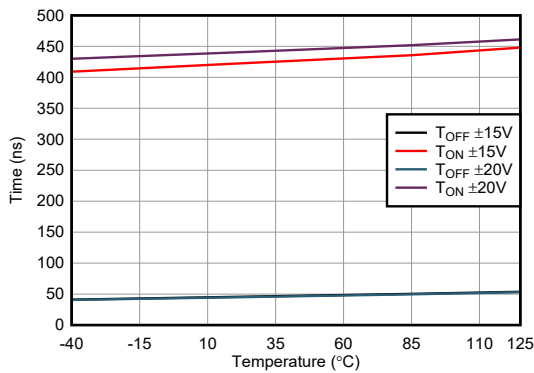


Figure 6-27. Turn-On and Turn-Off Times vs Temperature

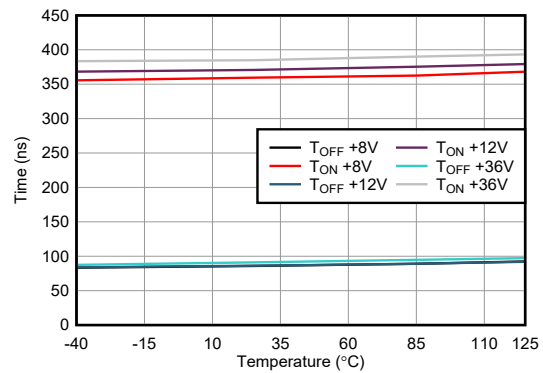


Figure 6-28. Turn-On and Turn-Off Times vs Temperature

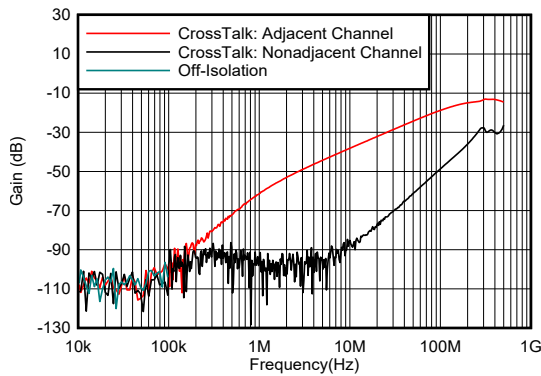


Figure 6-29. Crosstalk and Off Isolation vs Frequency

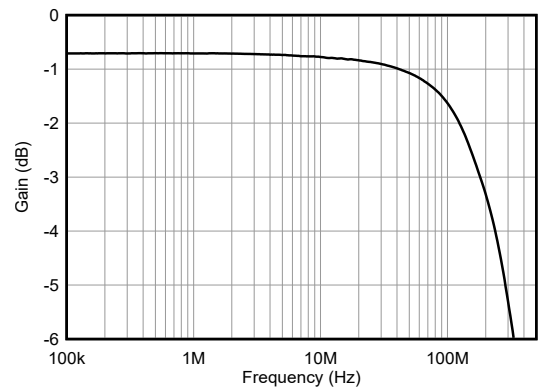


Figure 6-30. Insertion Loss vs Frequency

6.10 Typical Characteristics (continued)

at $T_A = 25^\circ\text{C}$, $V_{DD} = 15\text{ V}$, and $V_{SS} = -15\text{ V}$ (unless otherwise noted)

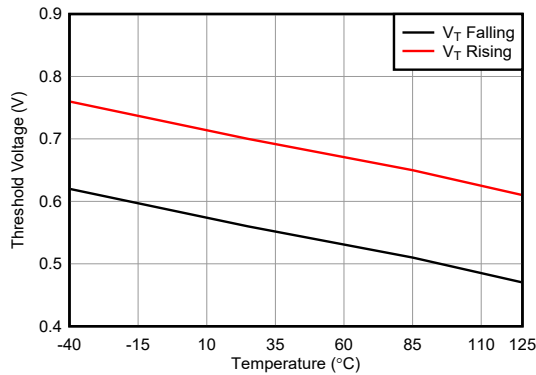


Figure 6-31. Threshold Voltage vs Temperature

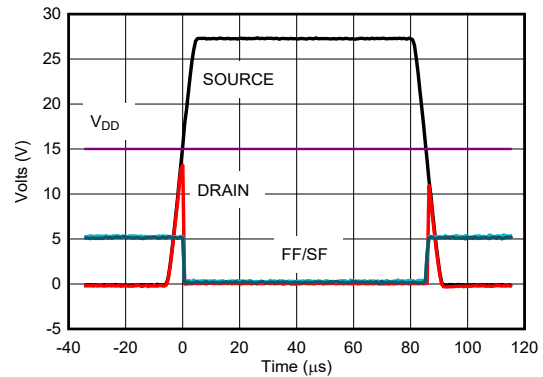


Figure 6-32. Fault Response and Recovery

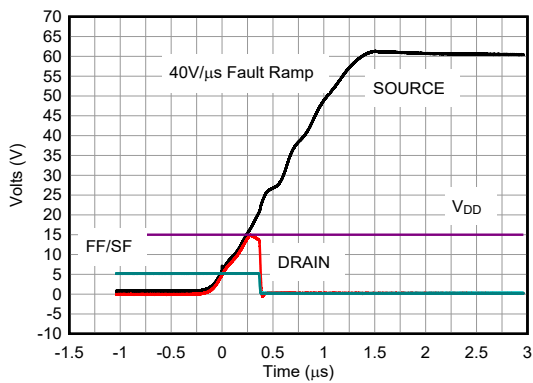


Figure 6-33. Drain Output Response – Positive Overvoltage

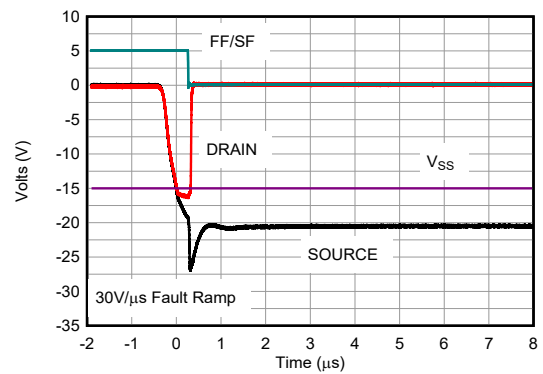


Figure 6-34. Drain Output Response – Negative Overvoltage

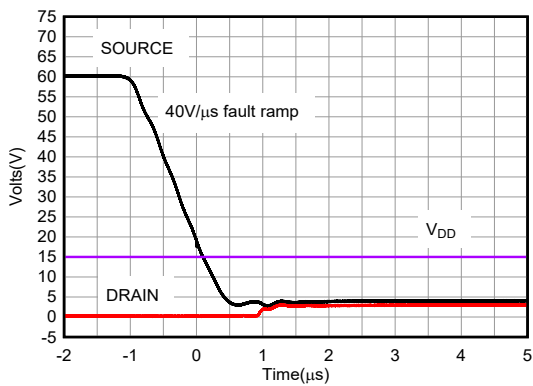


Figure 6-35. Drain Output Recovery – Positive Overvoltage

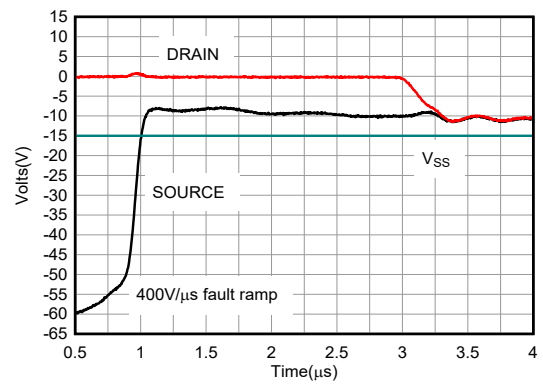


Figure 6-36. Drain Output Recovery – Negative Overvoltage

7 Parameter Measurement Information

7.1 On-Resistance

The on-resistance of the TMUX7436F is the ohmic resistance across the source (Sx) and drain (Dx) pins of the device. The on-resistance varies with input voltage and supply voltage. The symbol R_{ON} is used to denote on-resistance. Figure 7-1 shows the measurement setup used to measure R_{ON} . ΔR_{ON} represents the difference between the R_{ON} of any two channels, while R_{ON_FLAT} denotes the flatness that is defined as the difference between the maximum and minimum value of on-resistance measured over the specified analog signal range.

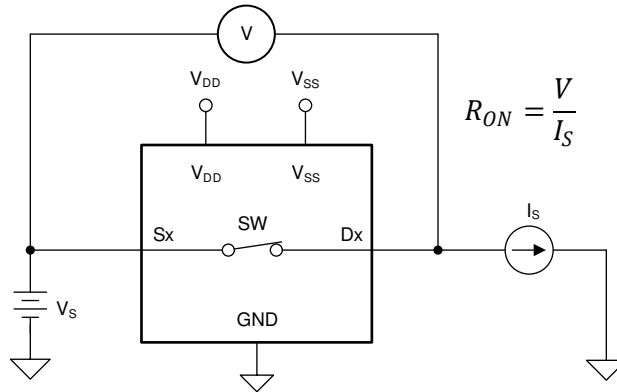


Figure 7-1. On-Resistance Measurement Setup

7.2 Off-Leakage Current

There are two types of leakage currents associated with a switch during the off state:

1. Source off-leakage current $I_{S(OFF)}$: the leakage current flowing into or out of the source pin when the switch is off.
2. Drain off-leakage current $I_{D(OFF)}$: the leakage current flowing into or out of the drain pin when the switch is off.

Figure 7-2 shows the setup used to measure both off-leakage currents.

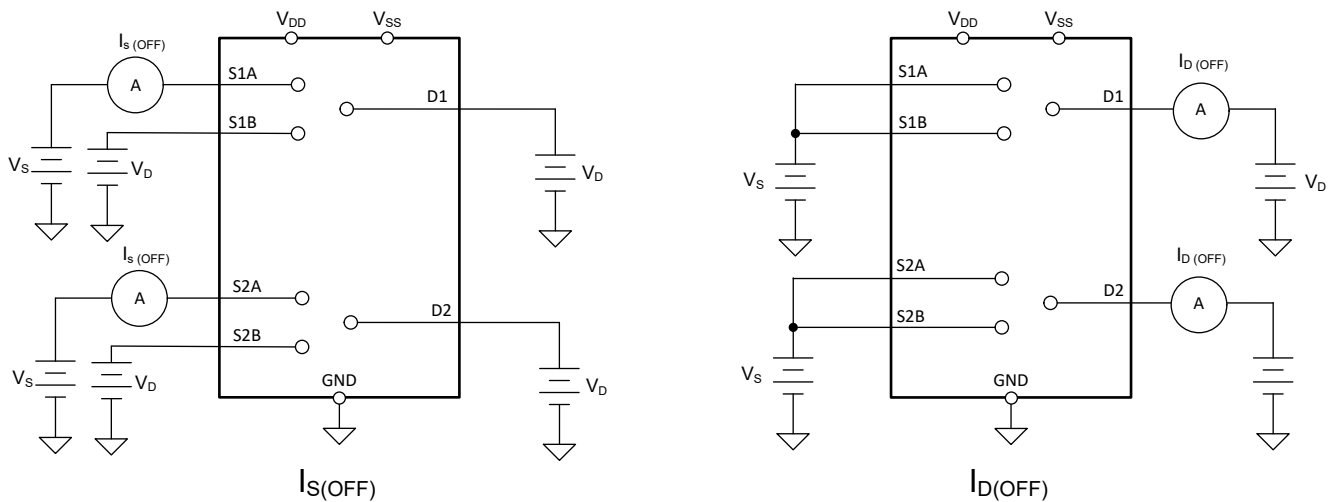


Figure 7-2. Off-Leakage Measurement Setup

7.3 On-Leakage Current

Source on-leakage current ($I_{S(ON)}$) and drain on-leakage current ($I_{D(ON)}$) denote the channel leakage currents when the switch is in the on state. $I_{S(ON)}$ is measured with the drain floating, while $I_{D(ON)}$ is measured with the source floating. Figure 7-3 shows the circuit used for measuring the on-leakage currents.

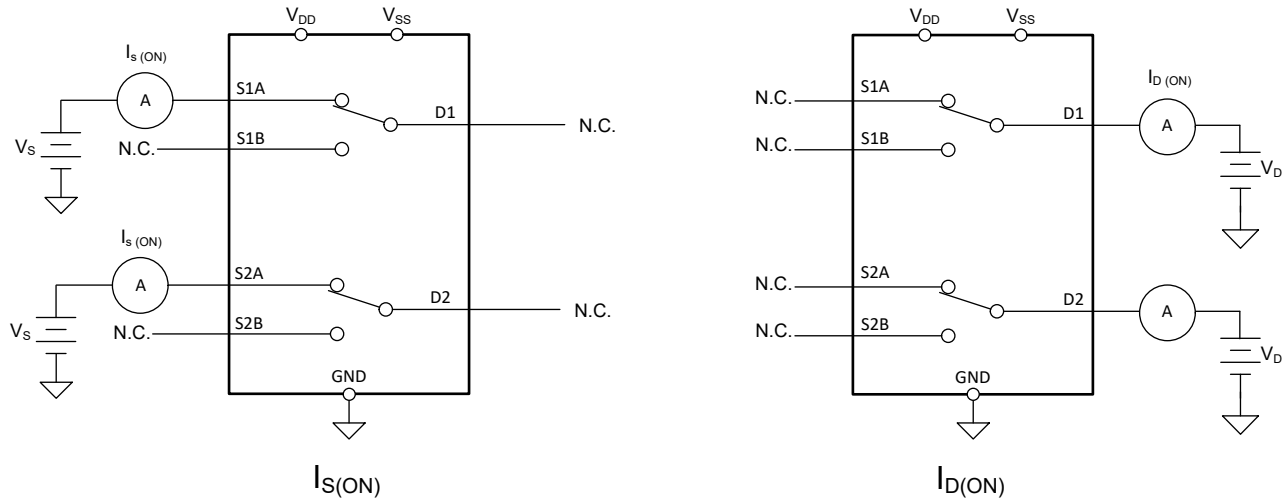


Figure 7-3. On-Leakage Measurement Setup

7.4 Input and Output Leakage Current Under Overvoltage Fault

If any of the source pin voltage goes above the supplies (V_{DD} or V_{SS}) by one threshold voltage (V_T), then the overvoltage protection feature of the TMUX7436F is triggered to turn off the switch under fault, keeping the fault channel in a high-impedance state. $I_{S(FA)}$ and $I_{D(FA)}$ denotes the input and output leakage current under overvoltage fault conditions, respectively. When the overvoltage fault occurs, the supply (or supplies) can either be in normal operating condition (Figure 7-4) or abnormal operating condition (Figure 7-5). During abnormal operating condition, the supply (or supplies) can either be unpowered ($V_{DD} = V_{SS} = 0$ V) or floating ($V_{DD} = V_{SS} =$ no connection), and remains within the leakage performance specifications.

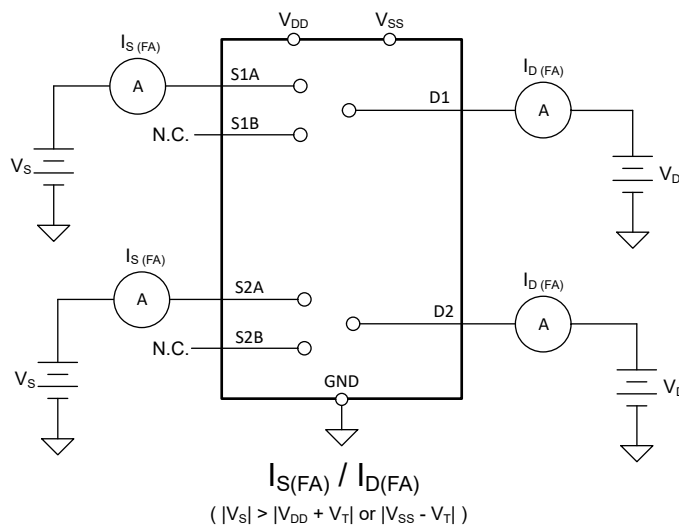


Figure 7-4. Measurement Setup for Input and Output Leakage Current under Overvoltage Fault With Normal Supplies

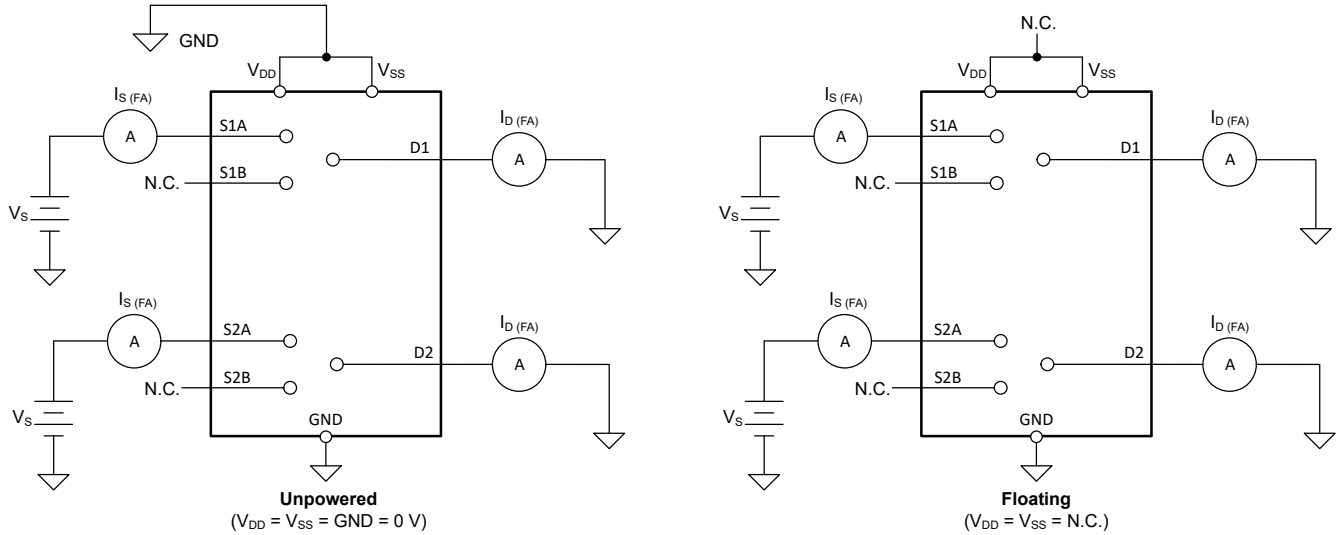


Figure 7-5. Measurement Setup for Input and Output Leakage Current under Overvoltage Fault With Unpowered or Floating Supplies

7.5 Enable Delay Time

$t_{ON(EN)}$ is defined as the time taken by the output of the TMUX7436F to rise to a 90% final value after the EN signal has past the 50% threshold. $t_{OFF(EN)}$ is defined as the time taken by the output of the TMUX7436F to fall to a 10% initial value after the EN signal has past the 50% threshold. Figure 7-6 shows the setup used to measure t_{ON} and t_{OFF} .

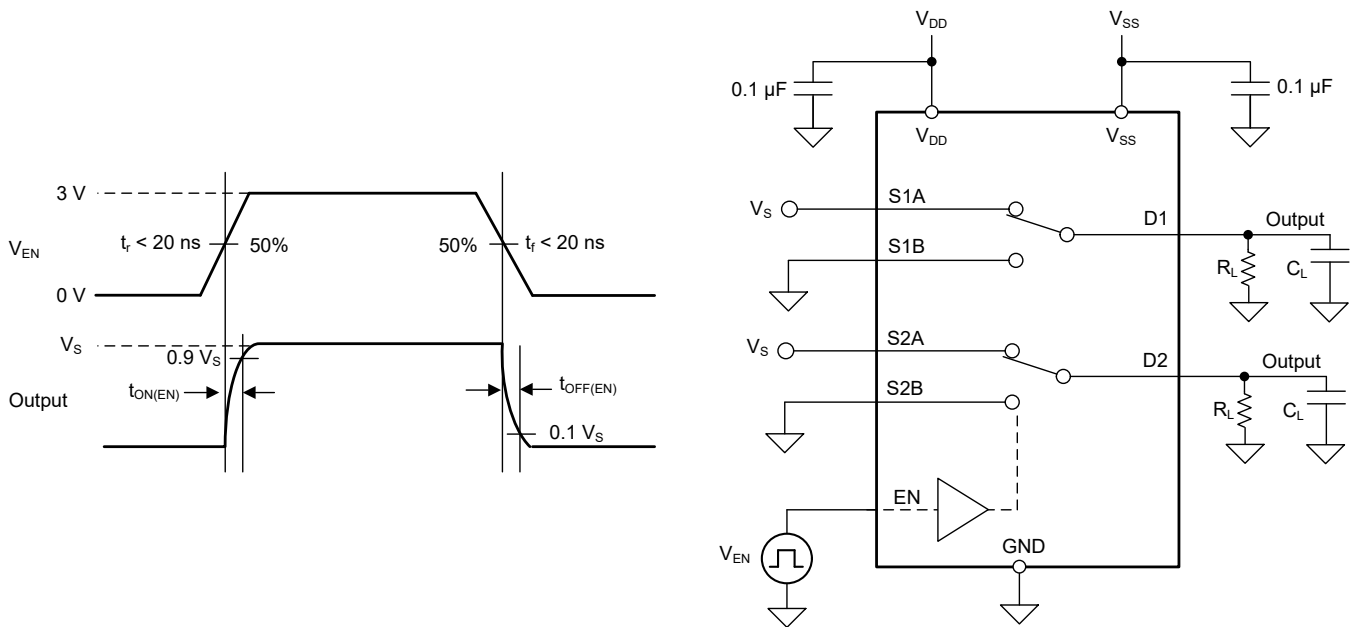


Figure 7-6. Enable Delay Measurement Setup

7.6 Break-Before-Make Delay

The break-before-make delay is a safety feature of the TMUX7436F switch. The ON switches of the TMUX7436F first break the connection before the OFF switches make connection. The time delay between the break and the make is known as break-before-make delay. Figure 7-7 shows the setup used to measure break-before-make delay, denoted by the symbol t_{BBM} .

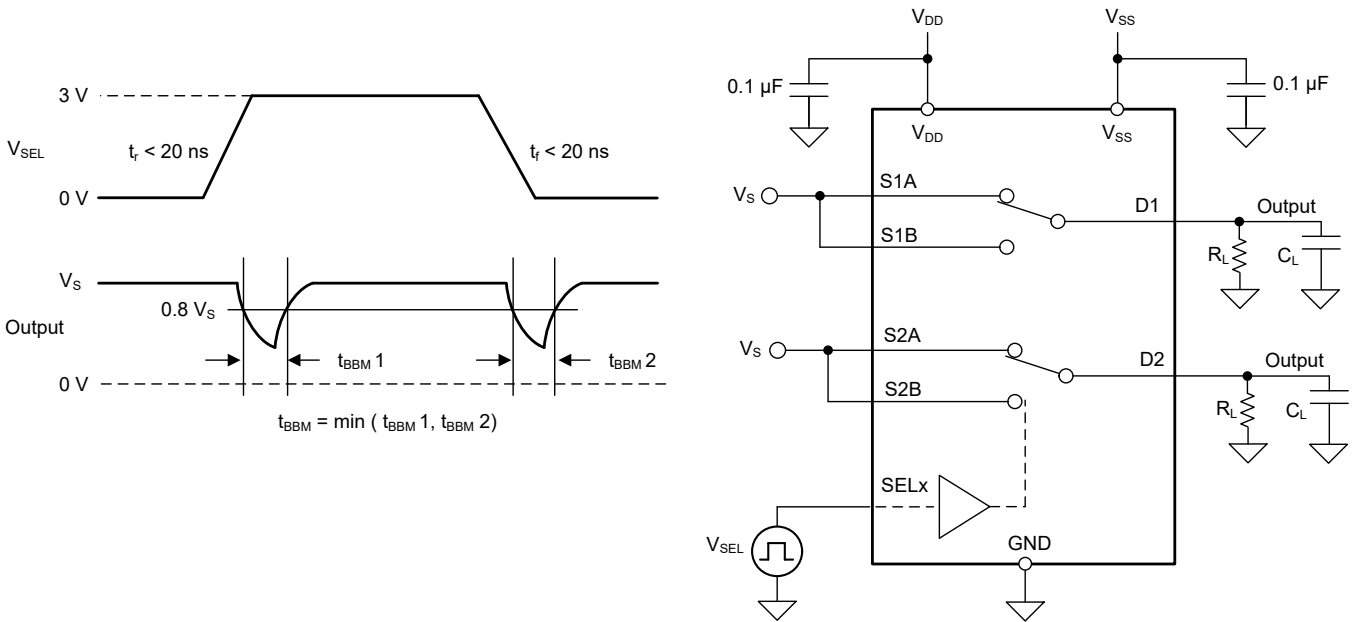


Figure 7-7. Break-Before-Make Delay Measurement Setup

7.7 Transition Time

Transition time is defined as the time taken by the output of the device to rise (to 90% of the transition) or fall (to 10% of the transition) after the select signal (SELx) has fallen or risen to 50% of the transition. Figure 7-8 shows the setup used to measure transition time, denoted by the symbol t_{TRAN} .

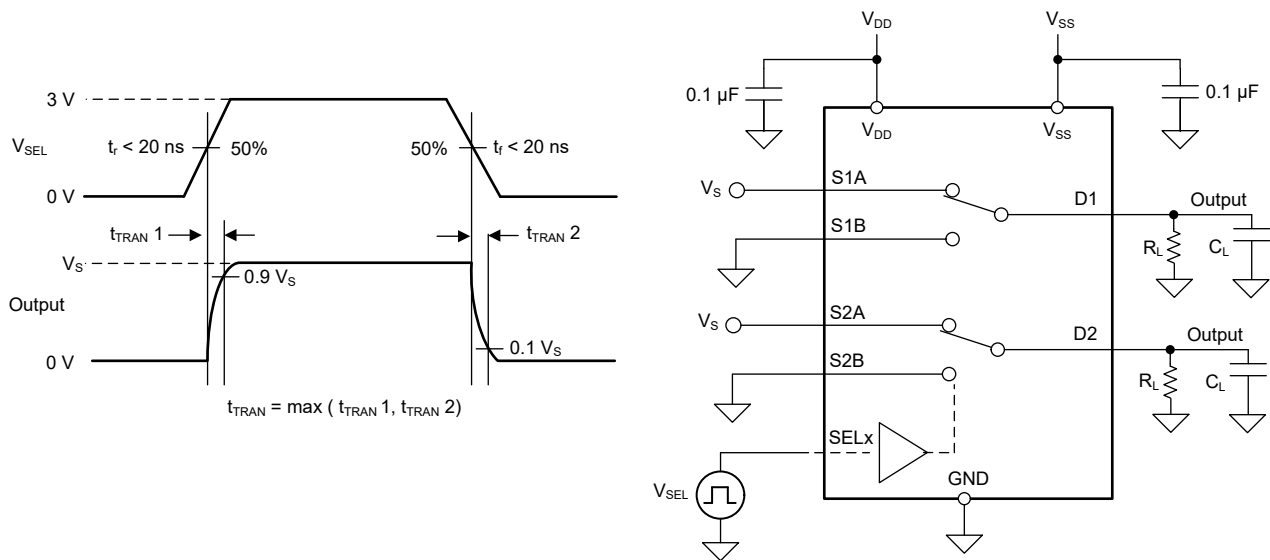


Figure 7-8. Transition Time Measurement Setup

7.8 Fault Response Time

Fault response time (t_{RESPONSE}) measures the delay between the source voltage exceeding the supply voltage (V_{DD} or V_{SS}) by 0.5 V and the drain voltage failing to 50% of the maximum output voltage. Figure 7-9 shows the setup used to measure t_{RESPONSE} .

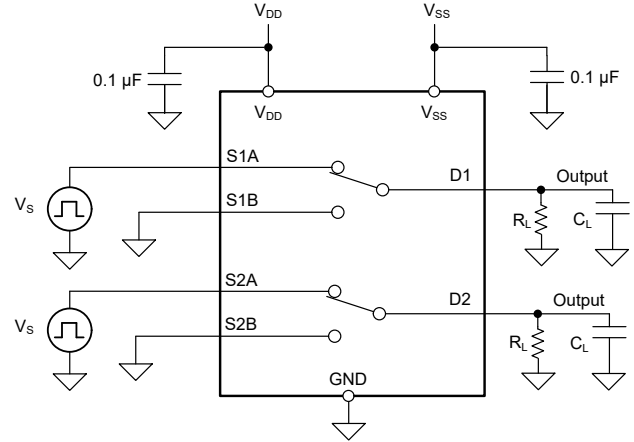
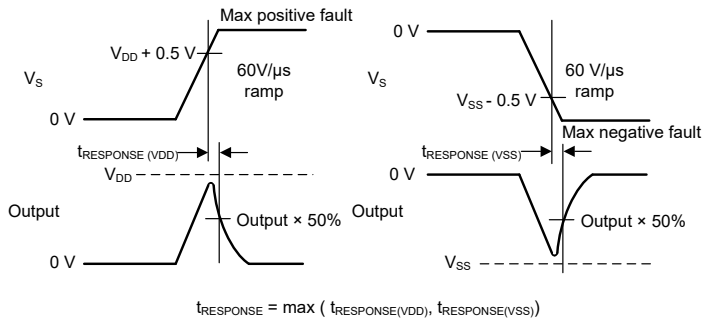


Figure 7-9. Fault Response Time Measurement Setup

7.9 Fault Recovery Time

Fault recovery time ($t_{RECOVERY}$) measures the delay between the source voltage falling from overvoltage condition to below supply voltage (V_{DD} or V_{SS}) plus 0.5 V and the drain voltage rising from 0 V to 50% of the final output voltage. Figure 7-10 shows the setup used to measure $t_{RECOVERY}$.

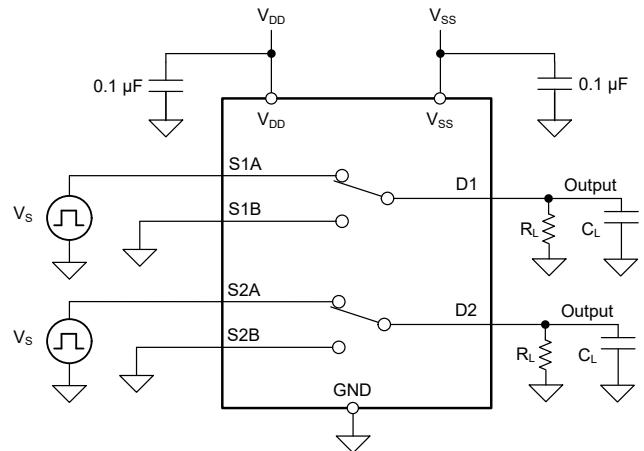
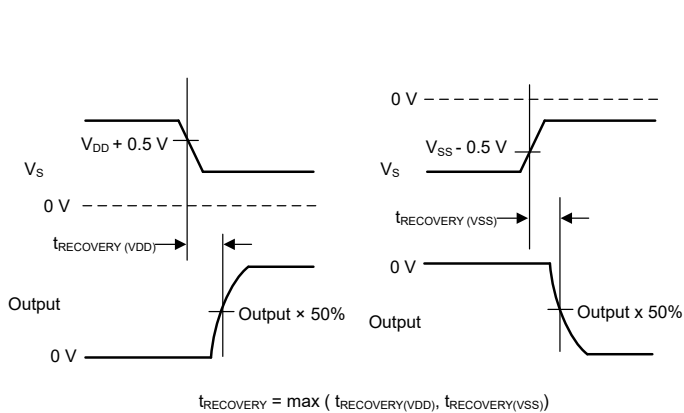


Figure 7-10. Fault Recovery Time Measurement Setup

7.10 Fault Flag Response Time

Fault flag response time ($t_{RESPONSE(FLAG)}$) measures the delay between the source voltage exceeding the fault supply voltage (V_{DD} or V_{SS}) by 0.5 V and the general fault flag (FF) pin to go below 10% of its original value. Figure 7-11 shows the setup used to measure $t_{RESPONSE(FLAG)}$.

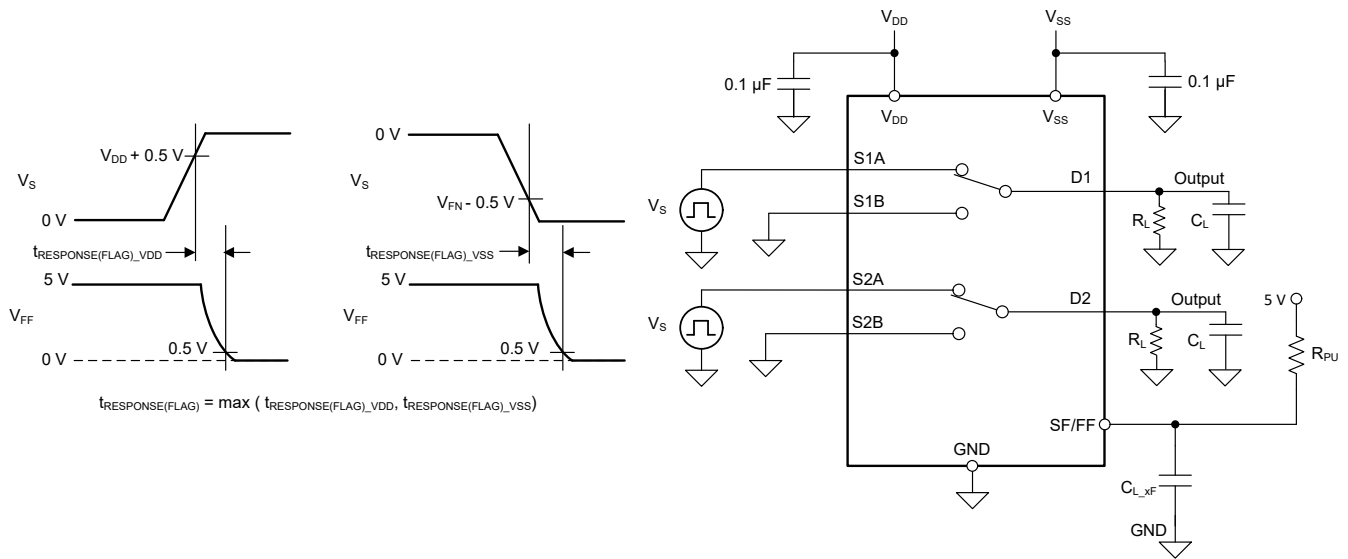


Figure 7-11. Fault Flag Response Time Measurement Setup

7.11 Fault Flag Recovery Time

Fault flag recovery time ($t_{RECOVERY(FLAG)}$) measures the delay between the source voltage falling from overvoltage condition to below fault supply voltage (V_{DD} or V_{SS}) plus 0.5 V and the general fault flag (FF) pin to rise above 3 V with 5 V external pull-up. Figure 7-12 shows the setup used to measure $t_{RECOVERY(FLAG)}$.

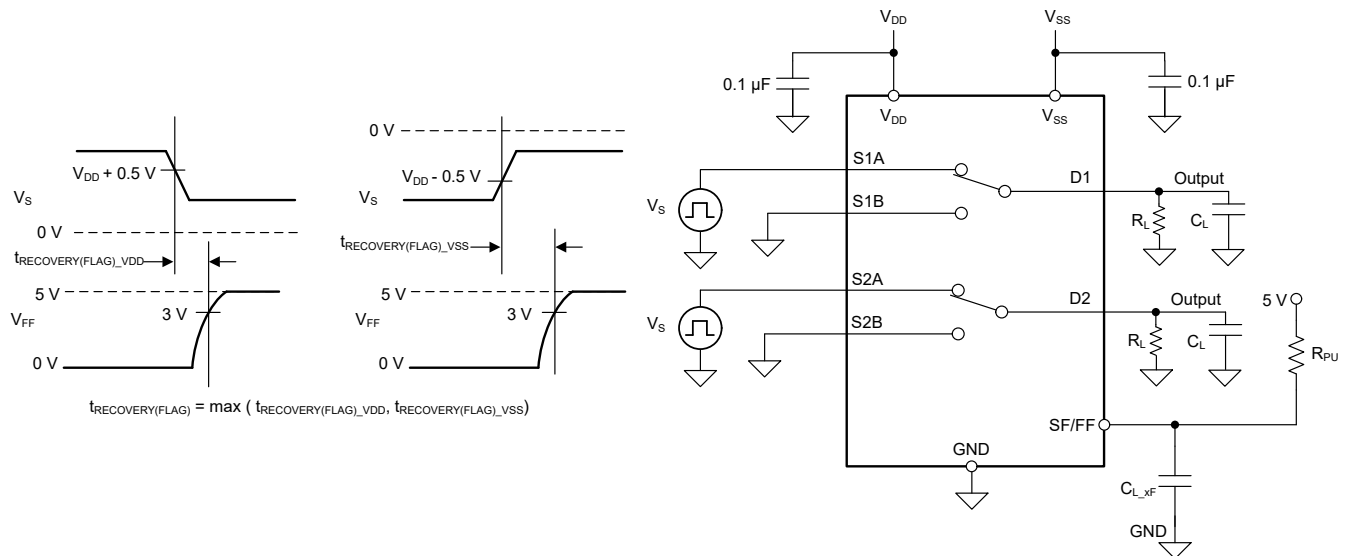


Figure 7-12. Fault Flag Recovery Time Measurement Setup

7.12 Charge Injection

Charge injection is a measure of the glitch impulse transferred from the logic input to the signal path during logic pin switching, and is denoted by the symbol Q_{INJ} . Figure 7-13 shows the setup used to measure charge injection from the source to drain.

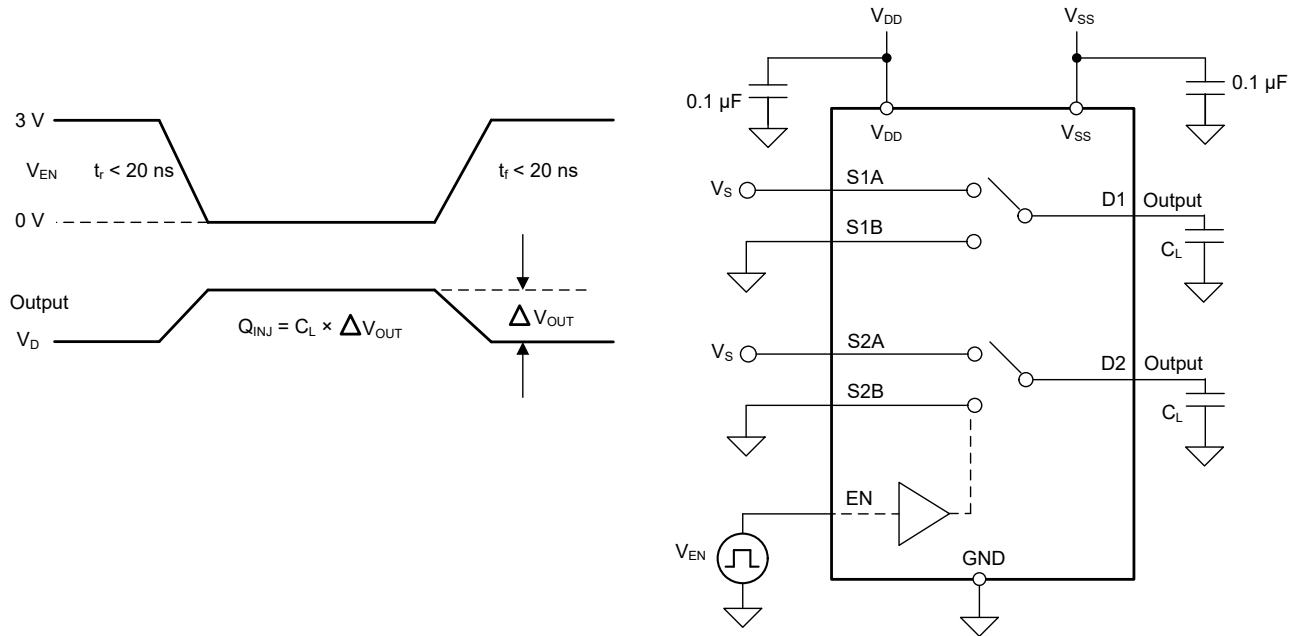


Figure 7-13. Charge-Injection Measurement Setup

7.13 Off Isolation

Off isolation is defined as the ratio of the signal at the drain pin (Dx) of the device when a signal is applied to the source pin (Sx) of an off-channel. Figure 7-14 shows the setup used to measure off isolation.

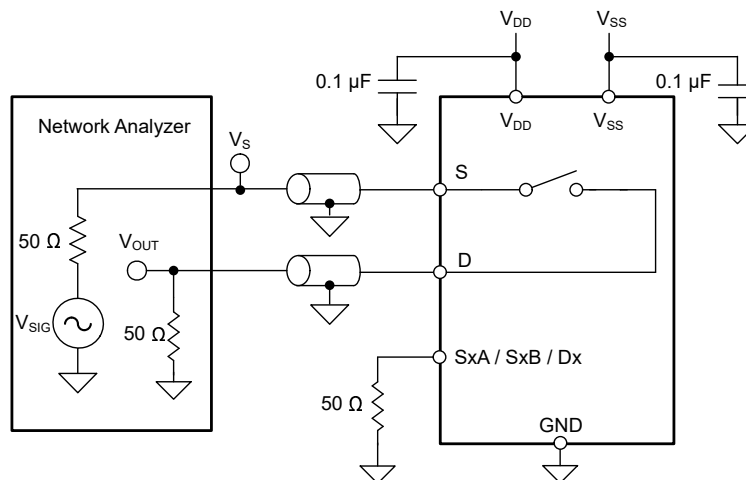


Figure 7-14. Off Isolation Measurement Setup

7.14 Crosstalk

The following are two types of crosstalk that can be defined for the devices:

1. Intra-channel crosstalk ($X_{TALK(INTRA)}$): the voltage at the source pin (S_x) of an off-switch input, when a $1-V_{RMS}$ signal is applied at the source pin of an on-switch input in the same channel, as shown in [Figure 7-15](#).
2. Inter-channel crosstalk ($X_{TALK(INTER)}$): the voltage at the source pin (S_x) of an on-switch input, when a $1-V_{RMS}$ signal is applied at the source pin of an on-switch input in a different channel, as shown in [Figure 7-16](#).

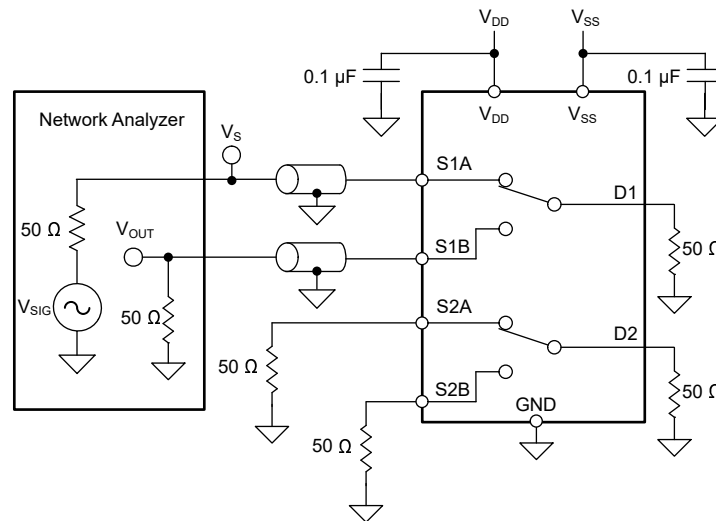


Figure 7-15. Intra-Channel Crosstalk Measurement Setup

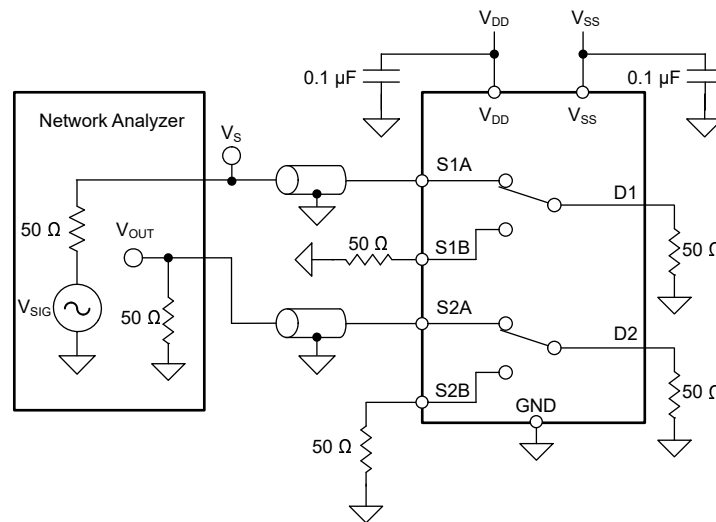


Figure 7-16. Inter-Channel Crosstalk Measurement Setup

7.15 Bandwidth

Bandwidth (BW) is defined as the range of frequencies that are attenuated by < 3 dB when the input is applied to the source pin (Sx) of an on-channel, and the output is measured at the drain pin (Dx) of the device. [Figure 7-17](#) shows the setup used to measure bandwidth of the switch.

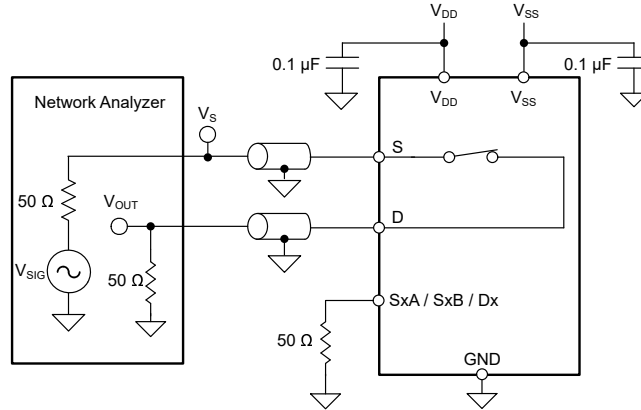


Figure 7-17. Bandwidth Measurement Setup

7.16 THD + Noise

The total harmonic distortion (THD) of a signal is a measurement of the harmonic distortion, and is defined as the ratio of the sum of the powers of all harmonic components to the power of the fundamental frequency at the switch output. The on-resistance of the device varies with the amplitude of the input signal and results in distortion when the drain pin is connected to a low-impedance load. Total harmonic distortion plus noise is denoted as THD+N. [Figure 7-18](#) shows the setup used to measure THD+N of the devices.

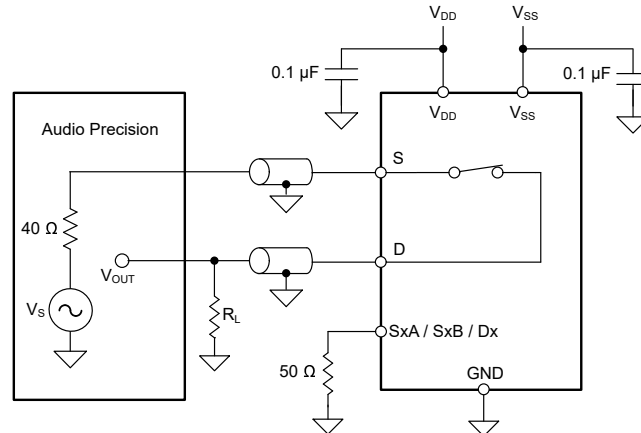


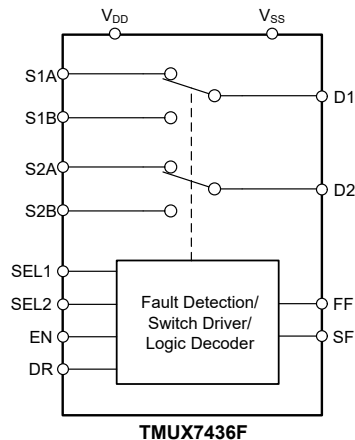
Figure 7-18. THD+N Measurement Setup

8 Detailed Description

8.1 Overview

The TMUX7436F device is a 44-V fault protected multiplexer with latch-up immunity in a 2:1, 2 channel configuration. The device works well with dual supplies (± 5 V to ± 22 V), a single supply (8 V to 44 V), or asymmetric supplies (such as $V_{DD} = 15$ V, $V_{SS} = -5$ V). The overvoltage protection feature on the source pins works under powered and powered-off conditions, allowing for use in harsh industrial environments. The powered-off condition includes floating power supplies, grounded power supplies, or power supplies at any level that are below the undervoltage (UV) threshold.

8.2 Functional Block Diagram



8.3 Feature Description

8.3.1 Flat ON-Resistance

The TMUX7436F is designed with a special switch architecture to produce ultra-flat on-resistance (R_{ON}) across most of the switch input operation region. The flat R_{ON} response allows the device to be used in precision sensor applications since the R_{ON} is controlled regardless of the signals sampled. The architecture is implemented without a charge pump so no unwanted noise is produced from the device to affect sampling accuracy.

8.3.2 Protection Features

The TMUX7436F offers a number of protection features to enable robust system implementations.

8.3.2.1 Input Voltage Tolerance

The maximum voltage that can be applied to any source input pin is +60 V or –60 V, regardless of supply voltage. This allows the device to handle typical voltage fault condition in industrial applications. Caution: the device is rated to handle a maximum stress of 85 V across different pins, such as the following:

- Between source pins and supply rails: 85 V**

For example, if the device is powered by V_{DD} supply of 25 V, then the maximum negative signal level on any source pin is –60 V to maintain the 60 V maximum rating on any source pin. If the device is powered by V_{DD} supply of 40 V, then the maximum negative signal level on any source pin is reduced to –45 V to maintain the 85 V maximum rating across the source pin and the supply.

- Between source pins and the drain pin: 85 V**

For example, if channel S1A is ON and the voltage on S1A pin is 40 V, then the drain voltage D1 is also 40 V. In this case, the maximum negative voltage allowed on S1B is –45 V to maintain the 85 V maximum rating across the source pin and the drain pin.

8.3.2.2 Powered-Off Protection

When the supplies of TMUX7436F are removed ($V_{DD}/V_{SS} = 0\text{ V}$ or floating), the source (Sx) pins of the device remain in high impedance (Hi-Z) state, and the source (Sx) and drain (Dx) pins of the device remain within the leakage performance mentioned in the *Electrical Characteristics*. Powered-off protection minimizes system complexity by removing the need to control power supply sequencing of the system. The feature prevents errant voltages on the input source pins from reaching the rest of the system and maintains isolation when the system is powering up. Without powered-off protection, signals on the input source pins can back-power the supply rails through internal ESD diodes and cause potential damage to the system. For more information on powered-off protection, refer to the [Eliminate Power Sequencing with Powered-Off Protection Signal Switches](#) application brief.

A GND reference must always be present to ensure proper operation. Source and drain voltage levels of up to $\pm 60\text{ V}$ are blocked in the powered-off condition.

8.3.2.3 Fail-Safe Logic

Fail-safe logic circuitry allows voltages on the logic control pins to be applied before the supply pins, protecting the device from potential damage. The switch is specified to be in the OFF state, regardless of the state of the logic signals. The logic inputs are protected against positive faults of up to $+44\text{ V}$ in powered-off condition, but do not offer protection against negative overvoltage condition.

Fail-safe logic also allows the TMUX7436F device to interface with a voltage greater than V_{DD} during normal operation to add maximum flexibility in system design. For example, with a V_{DD} of $= 15\text{ V}$, the logic control pins could be connected to $+24\text{ V}$ for a logic high signal which allows different types of signals, such as analog feedback voltages, to be used when controlling the logic inputs. Regardless of the supply voltage, the logic inputs can be interfaced as high as 44 V .

8.3.2.4 Overvoltage Protection and Detection

The TMUX7436F detects overvoltage inputs by comparing the voltage on a source pin (Sx) with the supplies (V_{DD} and V_{SS}). A signal is considered overvoltage if it exceeds the supply voltages by the threshold voltage (V_T).

The switch automatically turns OFF regardless of the logic controls when an overvoltage is detected. The source pin becomes high impedance and ensures only small leakage current flows through the switch. The drain pin (Dx) behavior can be adjusted by controlling the drain response (DR) pin in the following ways:

1. **DR pin floating or driven above V_{IH} :**

If the DR pin is driven above V_{IH} level of the pin, then the drain pin becomes high impedance (Hi-Z) upon overvoltage fault.

2. **DR driven below V_{IL} :**

If the DR pin is driven below V_{IL} level of the pin, and the channel experiencing the overvoltage fault condition is currently being selected by the logic controls (EN, SELx), then the drain pin (Dx) is pulled to the supply that was exceeded through a $40\text{ k}\Omega$ resistor. For example, if the source voltage exceeds V_{DD} , then the drain output is pulled to V_{DD} . If the source voltage exceeds V_{SS} , then the drain output is pulled to V_{SS} . The pull-up/pull-down impedance is approximately $40\text{ k}\Omega$, and as a result, the drain current is limited during a shorted load (to GND) condition.

Figure 8-1 shows a detailed view of the how the DR pin, SELx pin, and EN pin controls the output state of the drain pin under a fault scenario.

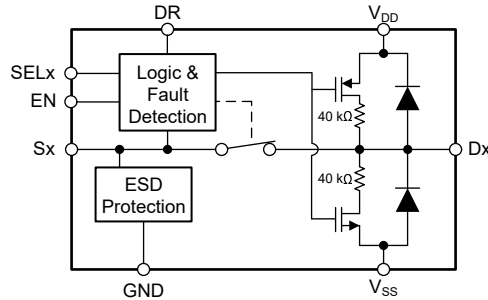


Figure 8-1. Detailed Functional Diagram

8.3.2.5 Adjacent Channel Operation During Fault

When the logic pins are set to a channel under a fault, the overvoltage detection will trigger, the switch will open, and the drain pin will operate as described in [Section 8.3.2.4](#). During such an event, all other channels not under a fault can continue to operate as normal. For example, if S1A voltage exceeds V_{DD} , and the logic pins are set to S1A, and the DR pin is set to logic low, then the drain output is pulled to V_{DD} . Afterwards if the logic pins are changed to set S1B, which is not in overvoltage or undervoltage, then the drain will disconnect from the pullup to V_{DD} and the S1B switch will be enabled and connected to the drain, operating as normal, although there is still an overvoltage condition present on S1A. If the logic pins are switched back to S1A, then the S1B switch will be disabled, the drain pin will be pulled up to V_{DD} again, and the switch from S1A to drain will be disabled until the overvoltage fault is removed.

8.3.2.6 ESD Protection

All pins on the TMUX7436F support HBM ESD protection level up to ± 6 kV, which helps prevent the device from being damaged by ESD events during the manufacturing process.

The drain pins (Dx) have internal ESD protection diodes to the supplies V_{DD} and V_{SS} ; therefore the voltage at the drain pins must not exceed the supply voltages to prevent excessive diode current. The source pins have specialized ESD protection that allows the signal voltage to reach ± 60 V regardless of supply voltage level. Exceeding ± 60 V on any source input may damage the ESD protection circuitry on the device and cause the device to malfunction if the damage is excessive.

8.3.2.7 Latch-Up Immunity

Latch-up is a condition where a low impedance path is created between a supply pin and ground. This condition is caused by a trigger (current injection or overvoltage), but once activated, the low impedance path remains even after the trigger is no longer present. This low impedance path may cause system upset or catastrophic damage due to excessive current levels. The latch-up condition typically requires a power cycle to eliminate the low impedance path.

The TMUX7436F device is constructed on silicon on insulator (SOI) based process where an oxide layer is added between the PMOS and NMOS transistor of each CMOS switch to prevent parasitic structures from forming. The oxide layer is also known as an insulating trench and prevents triggering of latch up events due to overvoltage or current injections. The latch-up immunity feature allows the TMUX7436F to be used in harsh environments. For more information on latch-up immunity, refer to [Using Latch Up Immune Multiplexers to Help Improve System Reliability](#).

8.3.2.8 EMC Protection

The TMUX7436F is not intended for standalone electromagnetic compatibility (EMC) protection in industrial applications. There are three common high voltage transient specifications that govern industrial high voltage transient specification: IEC61000-4-2 (ESD), IEC61000-4-4 (EFT), and IEC61000-4-5 (surge immunity). A transient voltage suppressor (TVS), along with some low-value series current limiting resistor, are required to prevent source input voltages from going above the rated ± 60 V limits.

When selecting a TVS protection device, it is critical to ensure that the maximum working voltage is greater than both the normal operating range of the input source pins to be protected and any known system common-mode overvoltage that may be present due to miswiring, loss of power, or short circuit. Figure 8-2 shows an example of the proper design window when selecting a TVS device.

Region 1 denotes normal operation region of TMUX7436F, where the input source voltages stay below the supplies V_{DD} and V_{SS} . Region 2 represents the range of possible persistent DC (or long duration AC overvoltage fault) presented on the source input pins. Region 3 represents the margin between any known DC overvoltage level and the absolute maximum rating of the TMUX7436F. The TVS breakdown voltage must be selected to be less than the absolute maximum rating of the TMUX7436F, but greater than any known possible persistent DC or long duration AC overvoltage fault to avoid triggering the TVS inadvertently. Region 4 represents the margin system designers must impose when selecting the TVS protection device to prevent accidental triggering of ESD cells of the TMUX7436F device.

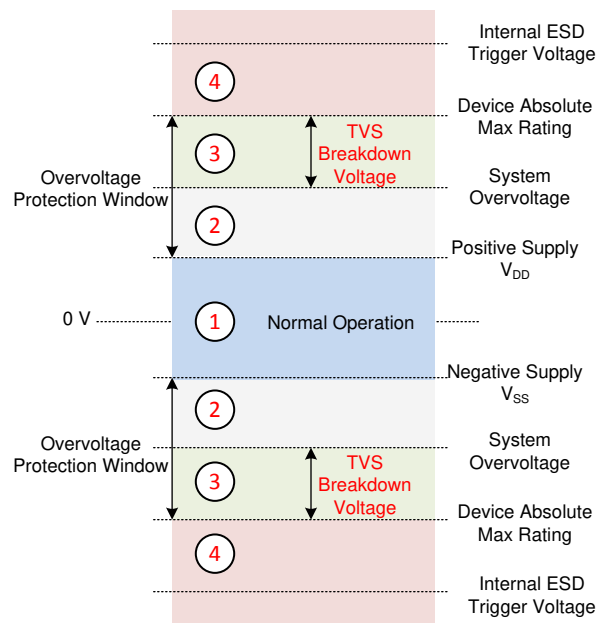


Figure 8-2. System Operation Regions and Proper Region of Selecting a TVS Protection Device

8.3.3 Overvoltage Fault Flags

The voltages on the source input pins of the TMUX7436F are continuously monitored, and the status of whether an overvoltage condition occurs is indicated by an active low general fault flag (FF). The voltage on the FF pin indicates if any of the source input pins are experiencing an overvoltage condition. If any source pin voltage exceeds the fault supply voltages by a V_T , then the FF output is pulled-down to below V_{OL} .

The specific fault (SF) output pins, on the other hand, can be used to decode which inputs are experiencing an overvoltage condition. As provided in the Table 8-1, the SF pin is pulled-down to below V_{OL} when an overvoltage condition is detected on a specific source input pin, depending on the state of the SEL1, SEL2, and EN logic pins.

Both the FF pin and the SF pin are an open-drain output and an external pull-up resistor of 1 k Ω is recommended. The pull-up voltage can be in the range of 1.8 V to 5.5 V, depending on the controller voltage the device interfaces with.

8.3.4 Bidirectional Operation

The TMUX7436F conducts equally well from source (Sx) to drain (Dx) or from drain (Dx) to source (Sx). However, it is noted that the overvoltage protection is implemented only on the source (Sx) side. The voltage on the drain is only allowed to swing between V_{DD} and V_{SS} and no overvoltage protection is available on the drain side.

The flatest on-resistance region extends from V_{SS} to roughly 3 V below V_{DD} . Once the signal is within 3 V of V_{DD} the on-resistance will exponentially increase and may impact desired signal transmission.

8.3.5 1.8 V Logic Compatible Inputs

The TMUX7436F device has 1.8 V logic compatible control for all logic control inputs. 1.8 V logic level inputs allows the TMUX7436F to interface with processors that have lower logic I/O rails and eliminates the need for an external translator, which saves both space and BOM cost. For more information on 1.8 V logic implementations, refer to [Simplifying Design with 1.8 V logic Muxes and Switches](#).

8.3.6 Integrated Pull-Down Resistor on Logic Pins

The TMUX7436F has internal weak pull-down resistors to GND to ensure the logic pins are not left floating. The value of this pull-down resistor is approximately 4 M Ω , but is clamped to about 1 μ A at higher voltages. This feature integrates up to four external components and reduces system size and cost.

8.4 Device Functional Modes

The TMUX7436F offers two modes of operation (normal mode and fault mode) depending on whether any of the input pins experience an overvoltage condition.

8.4.1 Normal Mode

In Normal mode operation, signals of up to V_{DD} and V_{SS} can be passed through the switch from source (Sx) to drain (Dx) or from drain (Dx) to source (Sx). As provided in [Table 8-1](#), the select pins (SELx) and enable pin (EN) determines which switch path to turn on. The following conditions must be satisfied for the switch to stay in the ON condition:

- The difference between the supplies ($V_{DD} - V_{SS}$) must be greater than or equal to 8 V, with a minimum V_{DD} of 5 V.
- The input signals on the source (Sx) or the drain (Dx) must be between $V_{DD} + V_T$ and $V_{SS} - V_T$.
- The logic control (SELx and EN) must have selected the switch.

8.4.2 Fault Mode

The TMUX7436F enters into Fault mode when any of the input signals on the source (Sx) pins exceed V_{DD} or V_{SS} by a threshold voltage V_T . Under the overvoltage condition, the switch input experiencing the fault automatically turns off regardless of the logic status, and the source pin becomes high impedance with negligible amount of leakage current flowing through the switch. For more information about how the drain pin (Dx) behavior under the Fault mode can be programmed, see [Section 8.3.2.4](#).

In the Fault mode, the general fault flag (FF) is asserted low. [Table 8-1](#) provides how the specific flag (SF) is asserted low depending on the status of the logic control pins SELx and EN.

The overvoltage protection is provided only for the source (Sx) input pins. The drain (Dx) pin, if used as signal input, must stay in between V_{DD} and V_{SS} at all times since no overvoltage protection is implemented on the drain pin.

8.4.3 Truth Tables

Table 8-1 and Table 8-2 provides the truth tables for the TMUX7436F under normal and fault conditions.

Table 8-1. TMUX7436F Truth Table

| EN | SEL2 | SEL1 | Normal Condition | Fault Condition | | | |
|----|------|------|------------------|--|-----|-----|-----|
| | | | | State of Specific Flag (SF) when fault occurs on | | | |
| | | | On Switch | S1A | S1B | S2A | S2B |
| 0 | 0 | 0 | None | 0 | 1 | 1 | 1 |
| 0 | 0 | 1 | None | 1 | 0 | 1 | 1 |
| 0 | 1 | 0 | None | 1 | 1 | 1 | 0 |
| 0 | 1 | 1 | None | 1 | 1 | 0 | 1 |
| 1 | 0 | 0 | S1B, S2B | 0 | 1 | 1 | 1 |
| 1 | 0 | 1 | S1A, S2B | 1 | 0 | 1 | 1 |
| 1 | 1 | 0 | S1B, S2A | 1 | 1 | 1 | 0 |
| 1 | 1 | 1 | S1A, S2A | 1 | 1 | 0 | 1 |

Take note, more than one source pin can be in fault at a given time. As Table 8-1 provides, the SF pin will assert low even when multiple source pins are under fault.

Table 8-2. TMUX7436F DR Truth Table

| DR PIN STATE | Dx State During Fault Condition |
|--------------|-----------------------------------|
| 0 | Pulled up to V_{DD} or V_{SS} |
| 1 | Open (HI-Z) |

If unused, then SELx pins must be tied to GND to ensure the device does not consume additional current (for more information, refer to [Implications of Slow or Floating CMOS Inputs](#)). Unused signal path inputs (Sx or Dx) should be connected to GND.

9 Application and Implementation

Note

Information in the following applications sections is not part of the TI component specification, and TI does not warrant its accuracy or completeness. TI's customers are responsible for determining suitability of components for their purposes, as well as validating and testing their design implementation to confirm system functionality.

9.1 Application Information

The TMUX7436F is a part of the fault protected switches and multiplexers family of devices. The ability to protect downstream components from overvoltage events up to $\pm 60\text{ V}$ and latch-up immunity features makes these switches and multiplexers suitable for harsh environments.

9.2 Typical Application

The need to monitor remote sensors is common among factory automation control systems. For example, an analog input module or mixed module (AI, AO, DI, and DO) of a programmable logic controller (PLC) will interface to a field transmitter to monitor various process sensors at remote locations around the factory. A switch or multiplexer is often used to connect multiple inputs from the system and reduce the number of downstream channels.

There are a number of fault cases that may occur that can be damaging to many of the integrated circuits. Such fault conditions may include, but are not limited to, human error from wiring the connections incorrectly, component failure, wire shorts, electromagnetic interference (EMI), transient disturbances, and more.

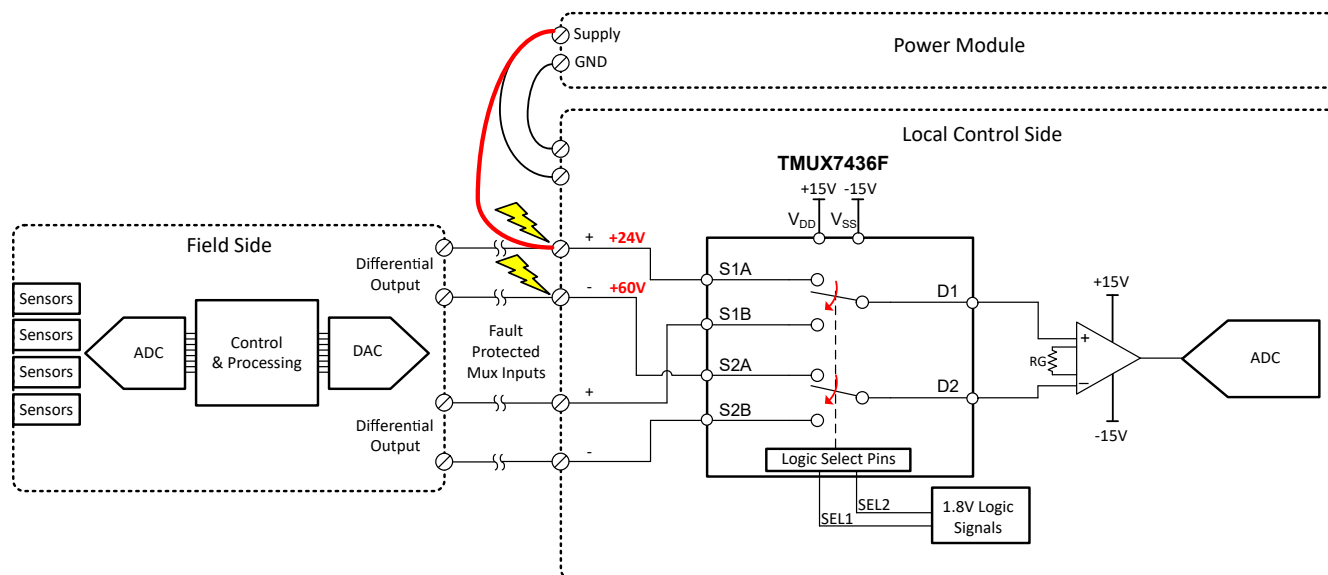


Figure 9-1. Typical Application

9.2.1 Design Requirements

Table 9-1. Design Parameters

| PARAMETER | VALUE |
|--|------------------------------|
| Positive supply (V_{DD}) mux | +15 V |
| Negative supply (V_{SS}) mux | -15 V |
| Power board supply voltage | 24 V |
| Input or output signal range non-faulted | -15 V to 15 V |
| Overvoltage protection levels | -60 V to 60 V |
| Control logic thresholds | 1.8 V compatible, up to 44 V |
| Temperature range | -40°C to +125°C |

9.2.2 Detailed Design Procedure

The normal operation of the application is to take multiple differential inputs and use a 2:1 multiplexer to pass the signal to the downstream instrumentation amplifier. A fault protected switch can add extra robustness to the system against fault conditions while also reducing the number of components required to interface with the systems physical input channels.

The [Figure 9-1](#) shows the case where a human wired the condition incorrectly and one of the input connectors shorted to the power board supply voltage. If the board supply voltage is higher than the power supply of the multiplexer, then the TMUX7436F device will disconnect the source input from passing the signal to protect the downstream components. The drain pin of the channels can either be pulled up to the supply voltage (V_{DD} and V_{SS}) through a 40 kΩ resistor or be left floating depending on the state of the DR pin. This can be configured to match the system requirements on how to handle a fault condition.

9.2.3 Application Curves

The previous example shows how the fault protection of the TMUX7436F is utilized to protect downstream components from damage due to wiring the connections incorrectly from the power module. [Figure 9-2](#) shows an example of positive overvoltage fault response with a fast fault ramp rate of 40 V/μs. [Figure 9-3](#) shows the extremely flat on-resistance across source voltage while operating within a common signal range of ±10 V. These features make the TMUX7436F an ideal solution for factory automation applications that can face various fault conditions but also require excellent linearity and low distortion.

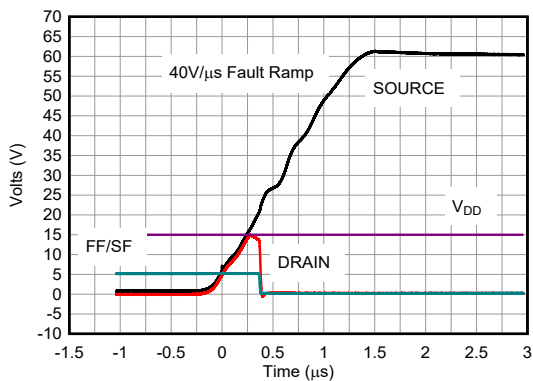


Figure 9-2. Positive Overvoltage Response

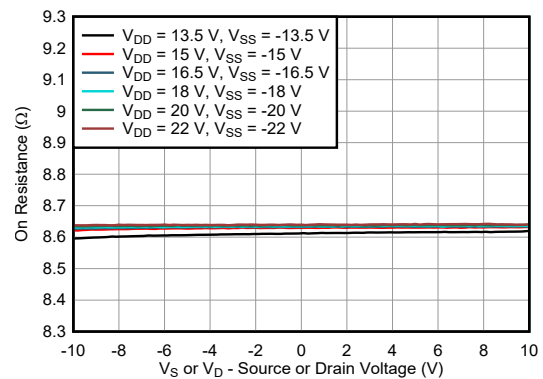


Figure 9-3. R_{ON} Flatness in Non-Fault Region

10 Power Supply Recommendations

The TMUX7436F operates across a wide supply range of $\pm 5\text{ V}$ to $\pm 22\text{ V}$ (8 V to 44 V in single-supply mode). It also performs well with asymmetrical supplies such as $V_{DD} = 12\text{ V}$ and $V_{SS} = -5\text{ V}$. Use a supply decoupling capacitor ranging from $1\ \mu\text{F}$ to $10\ \mu\text{F}$ at the V_{DD} and V_{SS} pins to ground for improved supply noise immunity. Always ensure the ground (GND) connection is established before supplies are ramped.

11 Layout

11.1 Layout Guidelines

Figure 11-1 and Figure 11-2 shows an example of a PCB layout with the TMUX7436F. The following are some key considerations:

- Decouple the V_{DD} and V_{SS} pins with a $1\text{-}\mu\text{F}$ capacitor, placed as close to the pin as possible. Make sure that the capacitor voltage rating is sufficient for the V_{DD} and V_{SS} supplies.
- Multiple decoupling capacitors can be used if there is a lot of noise in the system. For example, a $0.1\text{-}\mu\text{F}$ and $1\text{-}\mu\text{F}$ can be placed on the supply pins. If multiple capacitors are used, placing the lowest value capacitor closest to the supply pin is recommended.
- Keep the input lines as short as possible.
- Use a solid ground plane to help distribute heat and reduce electromagnetic interference (EMI) noise pickup.
- Do not run sensitive analog traces in parallel with digital traces. Avoid crossing digital and analog traces if possible, and only make perpendicular crossings when necessary.

11.2 Layout Example

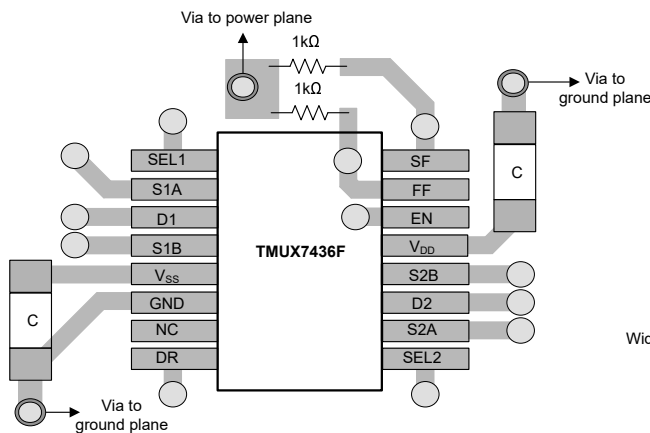


Figure 11-1. TSSOP Layout Example

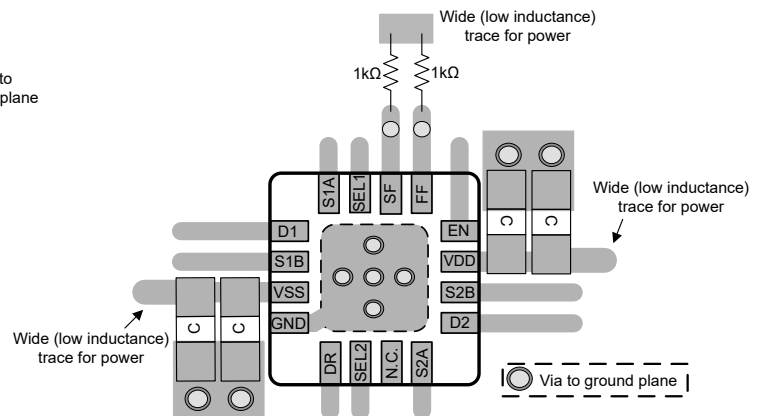


Figure 11-2. WQFN Layout Example

12 Device and Documentation Support

12.1 Documentation Support

12.1.1 Related Documentation

- Texas Instruments, [Implications of Slow or Floating CMOS Inputs](#) application note
- Texas Instruments, [Improving Analog Input Modules Reliability Using Fault Protected Multiplexers](#) application report
- Texas Instruments, [Multiplexers and Signal Switches Glossary](#) application report
- Texas Instruments, [Protection Against Overvoltage Events, Miswiring, and Common Mode Voltages](#) application report
- Texas Instruments, [Using Latch-Up Immune Multiplexers to Help Improve System Reliability](#) application report
- Texas Instruments, [Using Latch Up Immune Multiplexers to Help Improve System Reliability](#)

12.2 Receiving Notification of Documentation Updates

To receive notification of documentation updates, navigate to the device product folder on [ti.com](#). Click on *Subscribe to updates* to register and receive a weekly digest of any product information that has changed. For change details, review the revision history included in any revised document.

12.3 Support Resources

[TI E2E™ support forums](#) are an engineer's go-to source for fast, verified answers and design help — straight from the experts. Search existing answers or ask your own question to get the quick design help you need.

Linked content is provided "AS IS" by the respective contributors. They do not constitute TI specifications and do not necessarily reflect TI's views; see TI's [Terms of Use](#).

12.4 Trademarks

TI E2E™ is a trademark of Texas Instruments.
All trademarks are the property of their respective owners.

12.5 Electrostatic Discharge Caution



This integrated circuit can be damaged by ESD. Texas Instruments recommends that all integrated circuits be handled with appropriate precautions. Failure to observe proper handling and installation procedures can cause damage.

ESD damage can range from subtle performance degradation to complete device failure. Precision integrated circuits may be more susceptible to damage because very small parametric changes could cause the device not to meet its published specifications.

12.6 Glossary

[TI Glossary](#) This glossary lists and explains terms, acronyms, and definitions.

13 Mechanical, Packaging, and Orderable Information

The following pages include mechanical, packaging, and orderable information. This information is the most current data available for the designated devices. This data is subject to change without notice and revision of this document. For browser-based versions of this data sheet, refer to the left-hand navigation.

PACKAGING INFORMATION

| Orderable Device | Status (1) | Package Type | Package Drawing | Pins | Package Qty | Eco Plan (2) | Lead finish/ Ball material (6) | MSL Peak Temp (3) | Op Temp (°C) | Device Marking (4/5) | Samples |
|------------------|---------------|--------------|-----------------|------|-------------|-----------------|--------------------------------------|----------------------|--------------|-------------------------|---------|
| PTMUX7436FPWR | ACTIVE | TSSOP | PW | 16 | 3000 | TBD | Call TI | Call TI | -40 to 125 | | Samples |

(1) The marketing status values are defined as follows:

ACTIVE: Product device recommended for new designs.

LIFEBUY: TI has announced that the device will be discontinued, and a lifetime-buy period is in effect.

NRND: Not recommended for new designs. Device is in production to support existing customers, but TI does not recommend using this part in a new design.

PREVIEW: Device has been announced but is not in production. Samples may or may not be available.

OBSELETE: TI has discontinued the production of the device.

(2) **RoHS:** TI defines "RoHS" to mean semiconductor products that are compliant with the current EU RoHS requirements for all 10 RoHS substances, including the requirement that RoHS substance do not exceed 0.1% by weight in homogeneous materials. Where designed to be soldered at high temperatures, "RoHS" products are suitable for use in specified lead-free processes. TI may reference these types of products as "Pb-Free".

RoHS Exempt: TI defines "RoHS Exempt" to mean products that contain lead but are compliant with EU RoHS pursuant to a specific EU RoHS exemption.

Green: TI defines "Green" to mean the content of Chlorine (Cl) and Bromine (Br) based flame retardants meet JS709B low halogen requirements of <=1000ppm threshold. Antimony trioxide based flame retardants must also meet the <=1000ppm threshold requirement.

(3) MSL, Peak Temp. - The Moisture Sensitivity Level rating according to the JEDEC industry standard classifications, and peak solder temperature.

(4) There may be additional marking, which relates to the logo, the lot trace code information, or the environmental category on the device.

(5) Multiple Device Markings will be inside parentheses. Only one Device Marking contained in parentheses and separated by a "~" will appear on a device. If a line is indented then it is a continuation of the previous line and the two combined represent the entire Device Marking for that device.

(6) Lead finish/Ball material - Orderable Devices may have multiple material finish options. Finish options are separated by a vertical ruled line. Lead finish/Ball material values may wrap to two lines if the finish value exceeds the maximum column width.

Important Information and Disclaimer:The information provided on this page represents TI's knowledge and belief as of the date that it is provided. TI bases its knowledge and belief on information provided by third parties, and makes no representation or warranty as to the accuracy of such information. Efforts are underway to better integrate information from third parties. TI has taken and continues to take reasonable steps to provide representative and accurate information but may not have conducted destructive testing or chemical analysis on incoming materials and chemicals. TI and TI suppliers consider certain information to be proprietary, and thus CAS numbers and other limited information may not be available for release.

In no event shall TI's liability arising out of such information exceed the total purchase price of the TI part(s) at issue in this document sold by TI to Customer on an annual basis.

TAPE AND REEL INFORMATION

QUADRANT ASSIGNMENTS FOR PIN 1 ORIENTATION IN TAPE


*All dimensions are nominal

| Device | Package Type | Package Drawing | Pins | SPQ | Reel Diameter (mm) | Reel Width W1 (mm) | A0 (mm) | B0 (mm) | K0 (mm) | P1 (mm) | W (mm) | Pin1 Quadrant |
|--------------|--------------|-----------------|------|------|--------------------|--------------------|---------|---------|---------|---------|--------|---------------|
| TMUX7436FPWR | TSSOP | PW | 16 | 3000 | 330.0 | 12.4 | 6.9 | 5.6 | 1.6 | 8.0 | 12.0 | Q1 |

TAPE AND REEL BOX DIMENSIONS


*All dimensions are nominal

| Device | Package Type | Package Drawing | Pins | SPQ | Length (mm) | Width (mm) | Height (mm) |
|--------------|--------------|-----------------|------|------|-------------|------------|-------------|
| TMUX7436FPWR | TSSOP | PW | 16 | 3000 | 356.0 | 356.0 | 35.0 |



4220204/A 02/2017

NOTES:

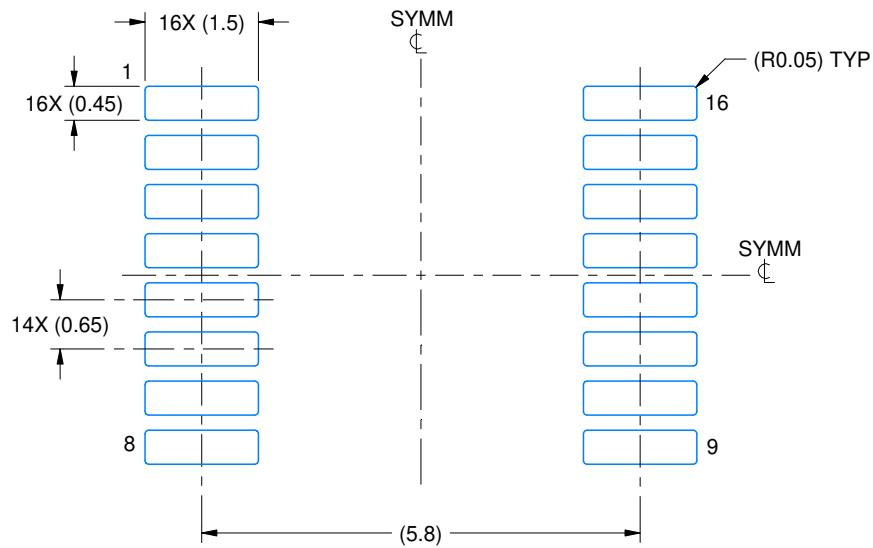
1. All linear dimensions are in millimeters. Any dimensions in parenthesis are for reference only. Dimensioning and tolerancing per ASME Y14.5M.
2. This drawing is subject to change without notice.
3. This dimension does not include mold flash, protrusions, or gate burrs. Mold flash, protrusions, or gate burrs shall not exceed 0.15 mm per side.
4. This dimension does not include interlead flash. Interlead flash shall not exceed 0.25 mm per side.
5. Reference JEDEC registration MO-153.

EXAMPLE BOARD LAYOUT

PW0016A

TSSOP - 1.2 mm max height

SMALL OUTLINE PACKAGE



LAND PATTERN EXAMPLE
EXPOSED METAL SHOWN
SCALE: 10X



SOLDER MASK DETAILS

4220204/A 02/2017

NOTES: (continued)

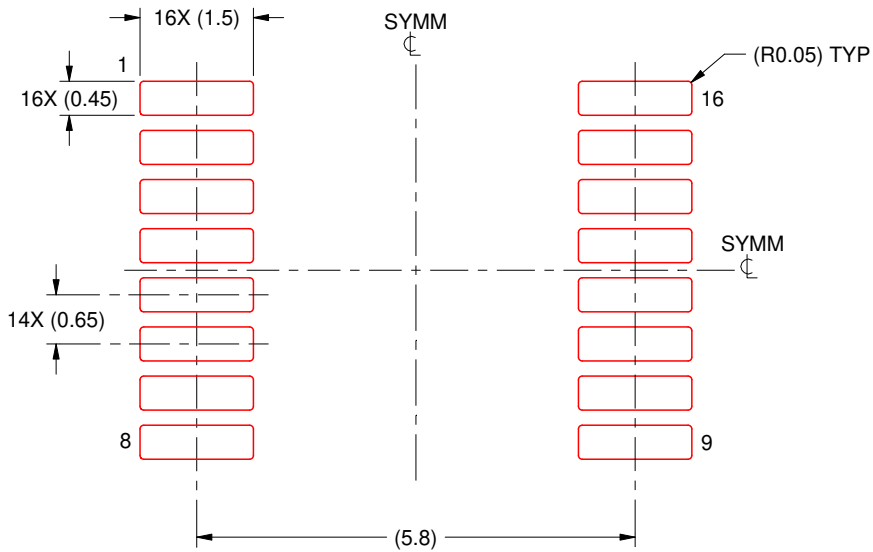
- 6. Publication IPC-7351 may have alternate designs.
- 7. Solder mask tolerances between and around signal pads can vary based on board fabrication site.

EXAMPLE STENCIL DESIGN

PW0016A

TSSOP - 1.2 mm max height

SMALL OUTLINE PACKAGE



SOLDER PASTE EXAMPLE
BASED ON 0.125 mm THICK STENCIL
SCALE: 10X

4220204/A 02/2017

NOTES: (continued)

8. Laser cutting apertures with trapezoidal walls and rounded corners may offer better paste release. IPC-7525 may have alternate design recommendations.
9. Board assembly site may have different recommendations for stencil design.

IMPORTANT NOTICE AND DISCLAIMER

TI PROVIDES TECHNICAL AND RELIABILITY DATA (INCLUDING DATA SHEETS), DESIGN RESOURCES (INCLUDING REFERENCE DESIGNS), APPLICATION OR OTHER DESIGN ADVICE, WEB TOOLS, SAFETY INFORMATION, AND OTHER RESOURCES "AS IS" AND WITH ALL FAULTS, AND DISCLAIMS ALL WARRANTIES, EXPRESS AND IMPLIED, INCLUDING WITHOUT LIMITATION ANY IMPLIED WARRANTIES OF MERCHANTABILITY, FITNESS FOR A PARTICULAR PURPOSE OR NON-INFRINGEMENT OF THIRD PARTY INTELLECTUAL PROPERTY RIGHTS.

These resources are intended for skilled developers designing with TI products. You are solely responsible for (1) selecting the appropriate TI products for your application, (2) designing, validating and testing your application, and (3) ensuring your application meets applicable standards, and any other safety, security, regulatory or other requirements.

These resources are subject to change without notice. TI grants you permission to use these resources only for development of an application that uses the TI products described in the resource. Other reproduction and display of these resources is prohibited. No license is granted to any other TI intellectual property right or to any third party intellectual property right. TI disclaims responsibility for, and you will fully indemnify TI and its representatives against, any claims, damages, costs, losses, and liabilities arising out of your use of these resources.

TI's products are provided subject to [TI's Terms of Sale](#) or other applicable terms available either on ti.com or provided in conjunction with such TI products. TI's provision of these resources does not expand or otherwise alter TI's applicable warranties or warranty disclaimers for TI products.

TI objects to and rejects any additional or different terms you may have proposed.

Mailing Address: Texas Instruments, Post Office Box 655303, Dallas, Texas 75265
Copyright © 2022, Texas Instruments Incorporated