

IOA REL 120V DI/1.0A/EX - Relay Module



2910157

<https://www.phoenixcontact.com/us/products/2910157>

Please be informed that the data shown in this PDF document is generated from our online catalog. Please find the complete data in the user documentation. Our general terms of use for downloads are valid.



Relay module for VIP I/O-Marshalling base elements. For the electrically isolated coupling of 120 V AC field devices to digital inputs. Integrated fuse and fuse failure indication.

Product description

Relay module for digital input signals for the electrically isolated coupling of 120 V AC field devices. The control path is protected by an integrated replaceable 1 A fuse. If the fuse fails, this is indicated by an LED. The module is installed on a corresponding VIP I/O-Marshalling base element by means of plug-in contact. Installation in zone 2, "ec" type of protection is permitted.

Your advantages

- Active relay coil indication
- Two-stage progressive release allowing for voltage checks with field-powered devices
- Channel for marking accessories
- Replaceable TE5-style fusing
- 120 V internal marshalling option for connected field device
- Integrated keying reduces possible user error during replacement

Commercial data

Item number	2910157
Packing unit	1 pc
Note	Made to order (non-returnable)
Sales key	C480
Product key	CK8221
Catalog page	Page 556 (C-5-2017)
GTIN	4055626447704
Weight per piece (including packing)	22.22 g
Weight per piece (excluding packing)	22.22 g
Customs tariff number	85364900
Country of origin	US

IOA REL 120V DI/1.0A/EX - Relay Module



2910157

<https://www.phoenixcontact.com/us/products/2910157>

Technical data

Notes

Utilization restriction

EMC note	EMC: class A product, see manufacturer's declaration in the download area
----------	---

Product properties

Product type	Relay Module
Product family	VIP I/O-Marshalling
Application	Input function
Operating mode	100% operating factor
Mechanical service life	2x 10 ⁷ cycles

Insulation characteristics

Overvoltage category	II
Pollution degree	2

Input data

Coil side

Nominal input voltage U_N	120 V AC
Input voltage range in reference to U_N	0.9 ... 1.1
Typical input current at U_N	3 mA
Typical response time	5 ms
Typical release time	4 ms
Protective circuit	Bridge rectifier
Operating voltage display	Yellow LED

Output data

Switching

Contact switching type	1 N/O contact
Type of switch contact	Single contact
Contact material	AgSnO, hard gold-plated
Maximum switching voltage	24 V DC
Limiting continuous current	50 mA
Maximum inrush current	50 mA
Min. switching current	1 mA (at 24 V)
Interrupting rating (ohmic load) max.	1.2 W (at 24 V DC)

Connection data

Control circuits

Connection method	Pin strip
-------------------	-----------

IOA REL 120V DI/1.0A/EX - Relay Module



2910157

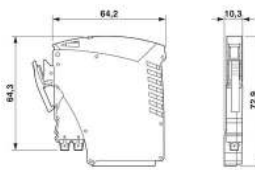
<https://www.phoenixcontact.com/us/products/2910157>

Ex data

Safety data

Input voltage U_i	120 V AC
Input current I_i	3 mA

Dimensions

Dimensional drawing	
Width	10.3 mm
Height	64.2 mm
Depth	72.9 mm

Material specifications

Flammability rating according to UL 94	V0
--	----

Environmental and real-life conditions

Ambient conditions

Degree of protection	IP20
Ambient temperature (operation)	-40 °C ... 70 °C
Ambient temperature (storage/transport)	-40 °C ... 70 °C
Altitude	≤ 2000 m
Permissible humidity (operation)	0 % ... 95 % (non-condensing)

Approvals

ATEX

Identification	⊕ II 3G Ex ec nC IIC T4 Gc
Certificate	Sira 17ATEX4293X

IECEX

Identification	Ex ec nC IIC T4 Gc
Certificate	IECEX SIR 17.0078X

UKEX

Identification	⊕ II 3G Ex ec nC IIC T4 Gc
Certificate	PxCIF23UKEX2910153X

UL, USA/Canada

Identification	Class I, Div. 2, Groups A, B, C, D T4
	Class I, Zone 2, Group IIC T4

IOA REL 120V DI/1.0A/EX - Relay Module



2910157

<https://www.phoenixcontact.com/us/products/2910157>

CSA, USA/Canada

Identification	Class I, Div. 2, Groups A, B, C, D T4
	Class I, Zone 2, AEx ec nC IIC T4 Gc
	Ex ec nC IIC T4 Gc

Standards and regulations

Standards/regulations	IEC 60664
	DIN EN 50178

Mounting

Mounting type	Plug-in mounting
Assembly instructions	Plugs into VIP/...BASE...
Mounting position	any

IOA REL 120V DI/1.0A/EX - Relay Module

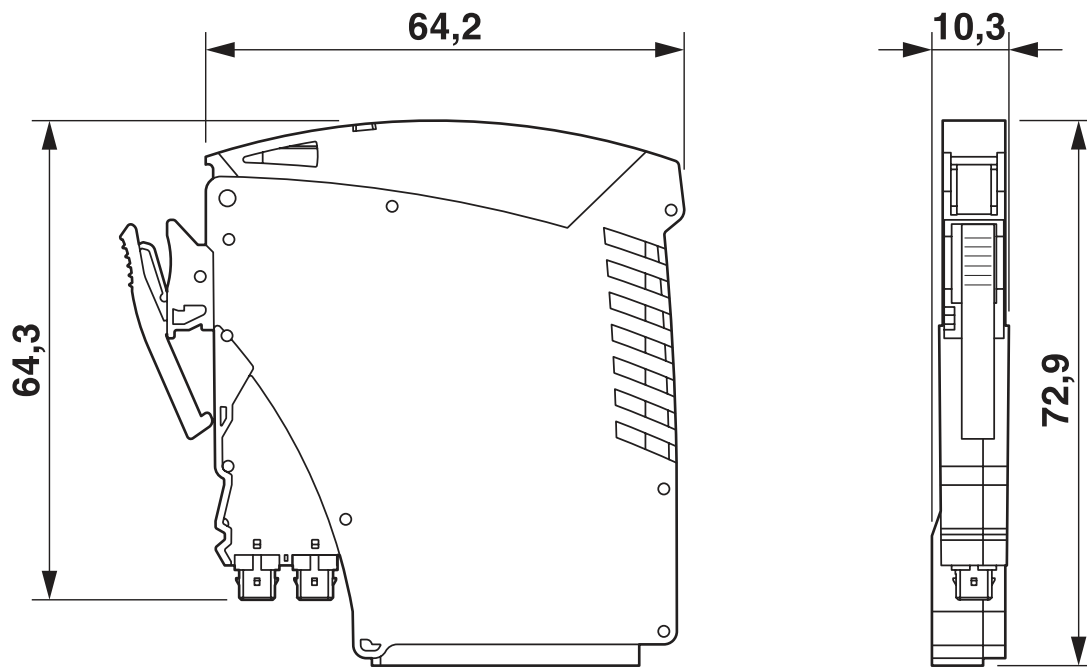


2910157

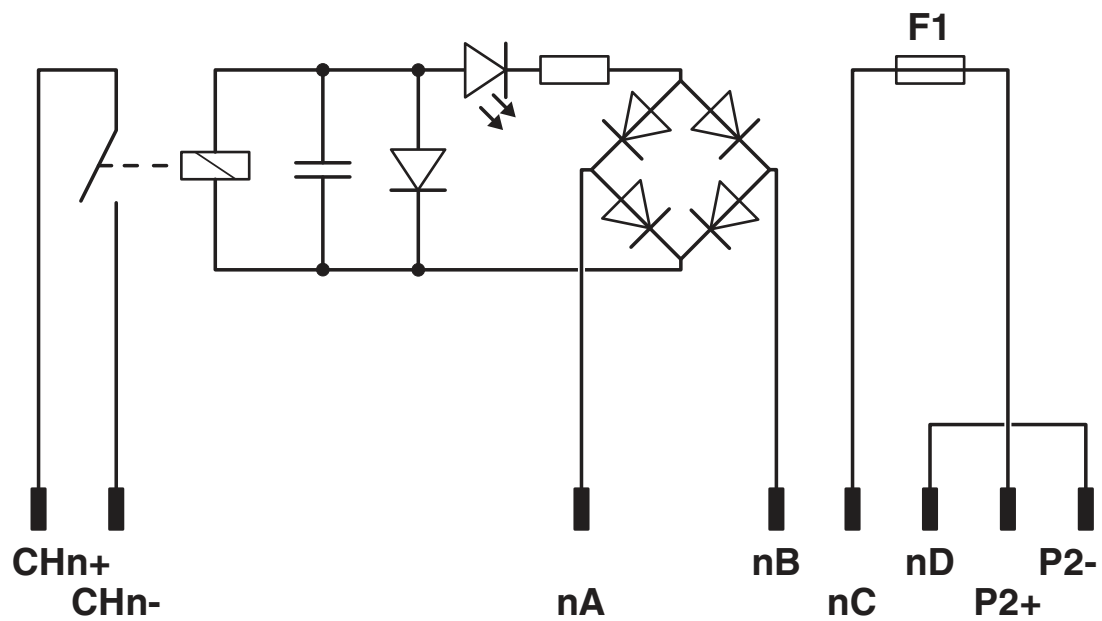
<https://www.phoenixcontact.com/us/products/2910157>

Drawings

Dimensional drawing



Circuit diagram



IOA REL 120V DI/1.0A/EX - Relay Module



2910157

<https://www.phoenixcontact.com/us/products/2910157>

Approvals

To download certificates, visit the product detail page: <https://www.phoenixcontact.com/us/products/2910157>



IECEx

Approval ID: IECEx SIR 17.0078X



ATEX

Approval ID: SIRA 17 ATEX 4293X



CSA

Approval ID: 70134758



FM approved

Approval ID: FM19US0089X



CSAus

Approval ID: 70134758

cCSAus

IOA REL 120V DI/1.0A/EX - Relay Module



2910157

<https://www.phoenixcontact.com/us/products/2910157>

Classifications

ECLASS

ECLASS-11.0	27371601
ECLASS-12.0	27371601
ECLASS-13.0	27371601

ETIM

ETIM 8.0	EC001437
----------	----------

UNSPSC

UNSPSC 21.0	39122300
-------------	----------

IOA REL 120V DI/1.0A/EX - Relay Module



2910157

<https://www.phoenixcontact.com/us/products/2910157>

Environmental product compliance

REACH SVHC	Lead 7439-92-1
China RoHS	Environmentally Friendly Use Period = 50 years
	For information on hazardous substances, refer to the manufacturer's declaration available under "Downloads"

IOA REL 120V DI/1.0A/EX - Relay Module



2910157

<https://www.phoenixcontact.com/us/products/2910157>

Mandatory accessories

VIP/S/MC/BASE 1-8/L/EX - Base module

2906596

<https://www.phoenixcontact.com/us/products/2906596>



8-channel VIP I/O marshalling base element for universal use. All connections as screw connection technology. With the COMBICON connector, compatible with the Honeywell C300 and RUSIO series. Marking for channels 1–8.

VIP/S/MC/BASE 9-16/L/EX - Base module

2906630

<https://www.phoenixcontact.com/us/products/2906630>



8-channel VIP I/O marshalling base element for universal use. All connections as screw connection technology. With the COMBICON connector, compatible with the Honeywell C300 and RUSIO series. Marking for channels 9–16.

IOA REL 120V DI/1.0A/EX - Relay Module



2910157

<https://www.phoenixcontact.com/us/products/2910157>

VIP/S/MC/BASE 17-24/L/EX - Base module

2907024

<https://www.phoenixcontact.com/us/products/2907024>



8-channel VIP I/O marshalling base element for universal use. All connections as screw connection technology. With the COMBICON connector, compatible with the Honeywell C300 and RUSIO series. Marking for channels 17–24.

VIP/S/MC/BASE 25-32/L/EX - Base module

2907025

<https://www.phoenixcontact.com/us/products/2907025>



8-channel VIP I/O marshalling base element for universal use. All connections as screw connection technology. With the COMBICON connector, compatible with the Honeywell C300 and RUSIO series. Marking for channels 25–32.

IOA REL 120V DI/1.0A/EX - Relay Module



2910157

<https://www.phoenixcontact.com/us/products/2910157>

VIP/S/MC/BASE 1-8/L/C/EX - Base module

2907186

<https://www.phoenixcontact.com/us/products/2907186>



8-channel VIP I/O marshalling base element for universal use. All connections as screw connection technology. With the COMBICON connector, compatible with the Honeywell C300 and RUSIO series. Marking for channels 1–8 and painting.

VIP/S/MC/BASE 9-16/L/C/EX - Base module

2907187

<https://www.phoenixcontact.com/us/products/2907187>



8-channel VIP I/O marshalling base element for universal use. All connections as screw connection technology. With the COMBICON connector, compatible with the Honeywell C300 and RUSIO series. Marking for channels 9–16 and painting.

IOA REL 120V DI/1.0A/EX - Relay Module



2910157

<https://www.phoenixcontact.com/us/products/2910157>

VIP/S/MC/BASE 17-24/L/C/EX - Base module

2907209

<https://www.phoenixcontact.com/us/products/2907209>



8-channel VIP I/O marshalling base element for universal use. All connections as screw connection technology. With the COMBICON connector, compatible with the Honeywell C300 and RUSIO series. Marking for channels 17–24 and painting.

VIP/S/MC/BASE 25-32/L/C/EX - Base module

2907210

<https://www.phoenixcontact.com/us/products/2907210>



8-channel VIP I/O marshalling base element for universal use. All connections as screw connection technology. With the COMBICON connector, compatible with the Honeywell C300 and RUSIO series. Marking for channels 25–32 and painting.

IOA REL 120V DI/1.0A/EX - Relay Module



2910157

<https://www.phoenixcontact.com/us/products/2910157>

VIP/S/D25M/BASE 1-8/L/C/EX - Base module

2906595

<https://www.phoenixcontact.com/us/products/2906595>



8-channel VIP I/O marshalling base element for universal use. All connections as screw connection technology. This module with the D-SUB 25 connector is pin compatible with the Foxboro I/A series DCS.

VIP/MSTB/D50M/BASE/16CH/CX/EX - Base module

2908788

<https://www.phoenixcontact.com/us/products/2908788>



16-channel VIP I/O marshalling base element for universal use. Plug-in field and supply terminals available as accessories. Either with screw or Push-in connection technology. Compatible with the Tricon CX DCS series (D-SUB 50).

Accessories

IOA REL 120V DI/1.0A/EX - Relay Module



2910157

<https://www.phoenixcontact.com/us/products/2910157>

UC-TM 6 - Marker for terminal blocks

0818085

<https://www.phoenixcontact.com/us/products/0818085>



Marker for terminal blocks, Sheet, white, unlabeled, can be labeled with: BLUEMARK ID COLOR, BLUEMARK ID, BLUEMARK CLED, PLOTMARK, CMS-P1-PLOTTER, mounting type: snapped, for terminal block width: 6.2 mm, lettering field size: 5.6 x 10.5 mm, Number of individual labels: 80

ZB 5,08:UNBEDRUCKT - Zack marker strip

0809793

<https://www.phoenixcontact.com/us/products/0809793>



Zack marker strip, Strip, white, unlabeled, can be labeled with: PLOTMARK, CMS-P1-PLOTTER, mounting type: snapped, for terminal block width: 5.08 mm, lettering field size: 4.98 x 10.5 mm, Number of individual labels: 10

IOA REL 120V DI/1.0A/EX - Relay Module



2910157

<https://www.phoenixcontact.com/us/products/2910157>

B-STIFT - Marker pen

1051993

<https://www.phoenixcontact.com/us/products/1051993>



Marker pen, for manual labeling of unprinted Zack strips, smear-proof and waterproof, line thickness 0.5 mm

FUSE/TE5/1A/F-10PCS - Fuse set

2905277

<https://www.phoenixcontact.com/us/products/2905277>



Plug-in fuse (TE5[®]); nominal current: 1 A; tripping behavior: fast-blow (F)

Phoenix Contact 2023 © - all rights reserved
<https://www.phoenixcontact.com>

Phoenix Contact USA
586 Fulling Mill Road
Middletown, PA 17057, United States
(+717) 944-1300
info@phoenixcon.com