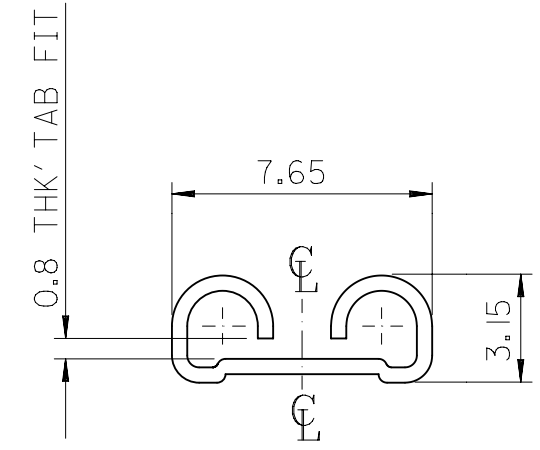
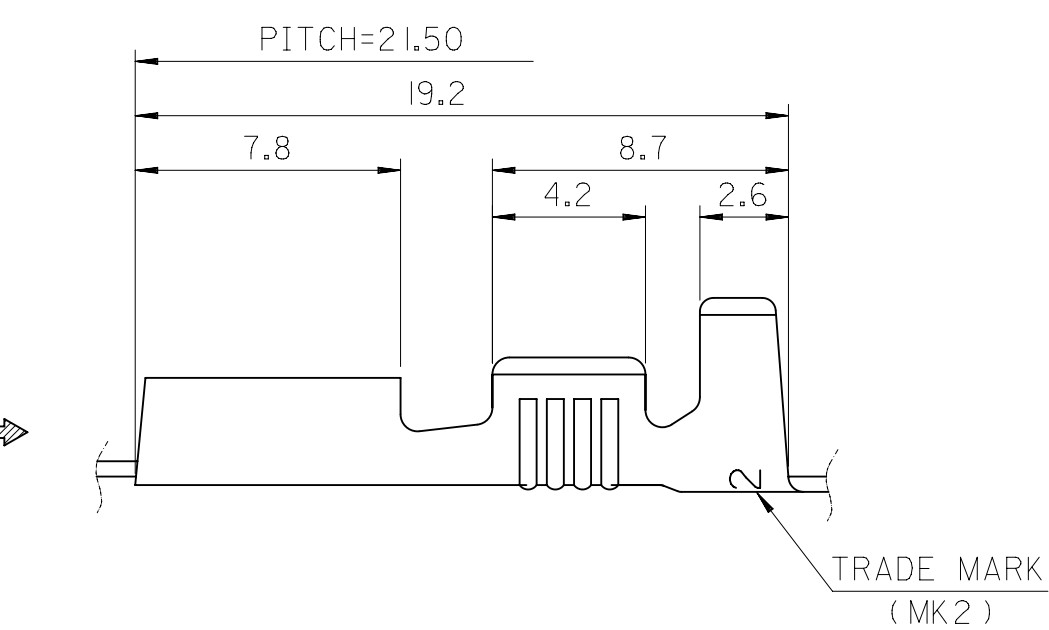
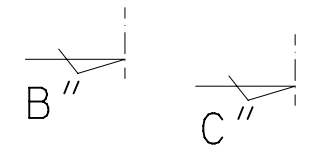
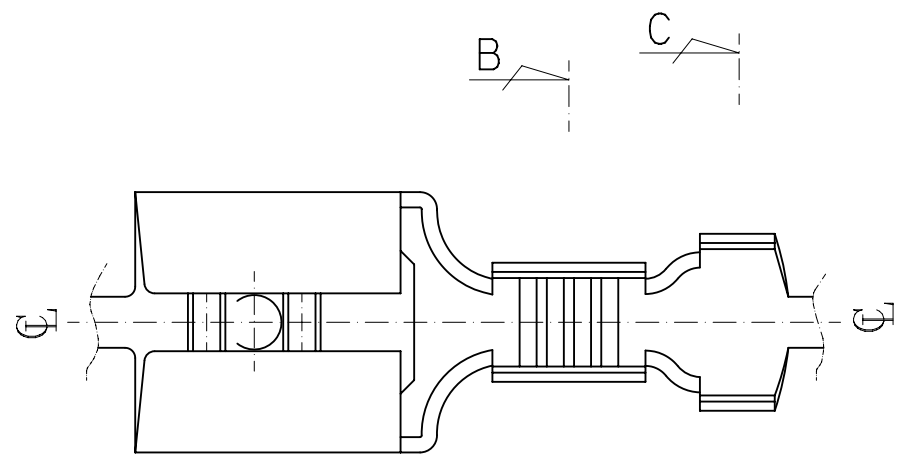


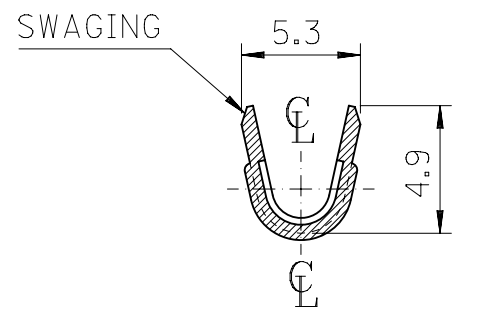
NOTES

1. MATERIAL : BRASS , 0.45mm THICKNESS
2. PART NUMBER
3. MATING TAB THICKNESS : 0.8 mm

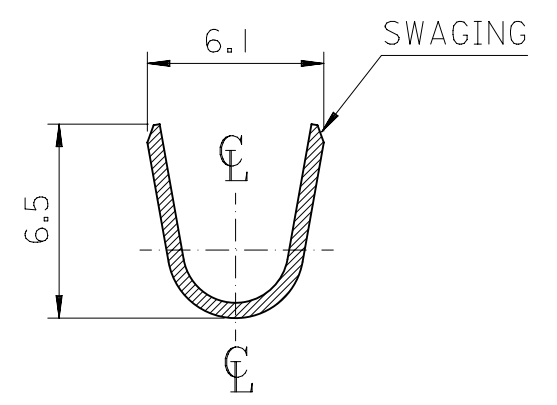
PART NUMBER	FINISH
35725-2710	POST PLATED TIN



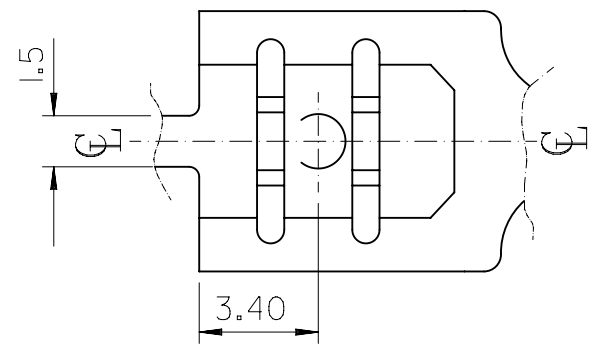
VIEW "A"



SEC' : B-B''



SEC' : C-C''



WIRE RANGE AWG #14-#10	THIS DRAWING CONTAINS INFORMATION THAT IS PROPRIETARY TO MOLEX ELECTRONIC TECHNOLOGIES, LLC AND SHOULD NOT BE USED WITHOUT WRITTEN PERMISSION			
	DIMENSION UNITS mm	SCALE 4.5:1		
INSULATION RANGE Ø 3.8 -5.3	GENERAL TOLERANCES (UNLESS SPECIFIED)		EC NO: 673989	
		MM	INCH	DRWN: AKUMAR19 2021/04/05
DIE FEED: //	4 PLACES	±	±	CHK'D: GGA 2021/08/19
	3 PLACES	±	±	APPR: GGA 2021/08/19
APPLICATOR FEED: 21.50	2 PLACES	±	0.2	±
	1 PLACE	±	0.3	±
Q'TY/ REEL OR PACK 4,000 Q'TY/REEL	0 PLACES	±	±	±
	ANGULAR TOL	± 0.5°		INITIAL REVISION: DRWN: J.S.KANG
DOCUMENT STATUS P1 RELEASE DATE 2021/08/19 08:28:36	DRAFT WHERE APPLICABLE MUST REMAIN WITHIN DIMENSIONS		THIRD ANGLE PROJECTION	DRAWING SERIES MATERIAL NUMBER CUSTOMER SHEET NUMBER
				A3-SIZE 35725 SEE TABLE GENERAL MARKET 1 OF 1