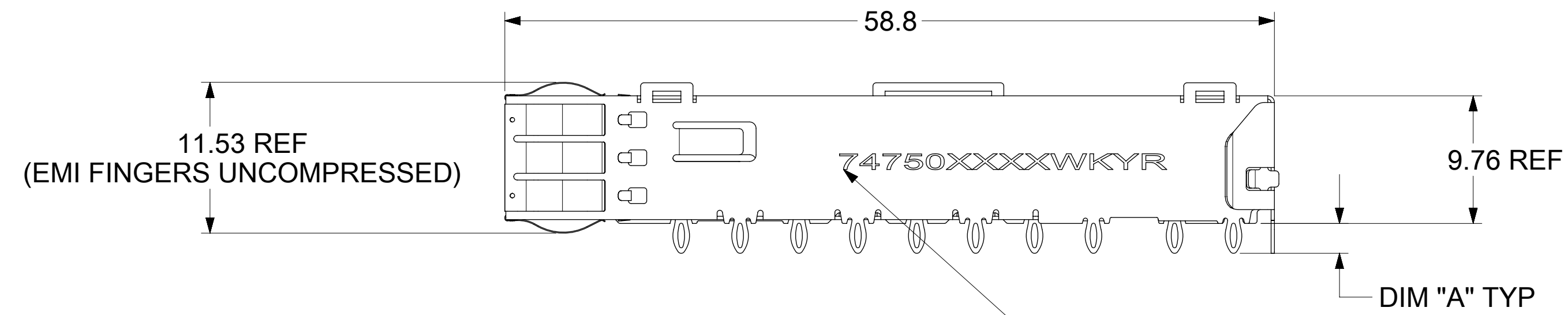
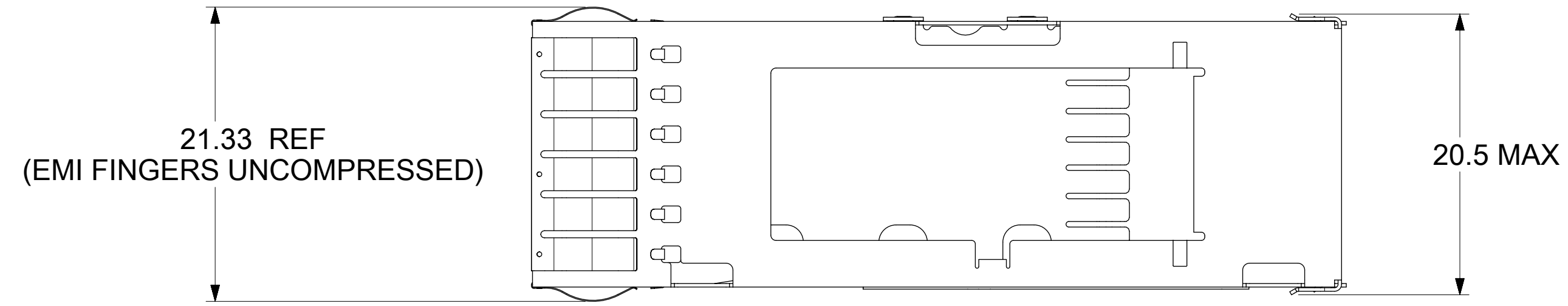


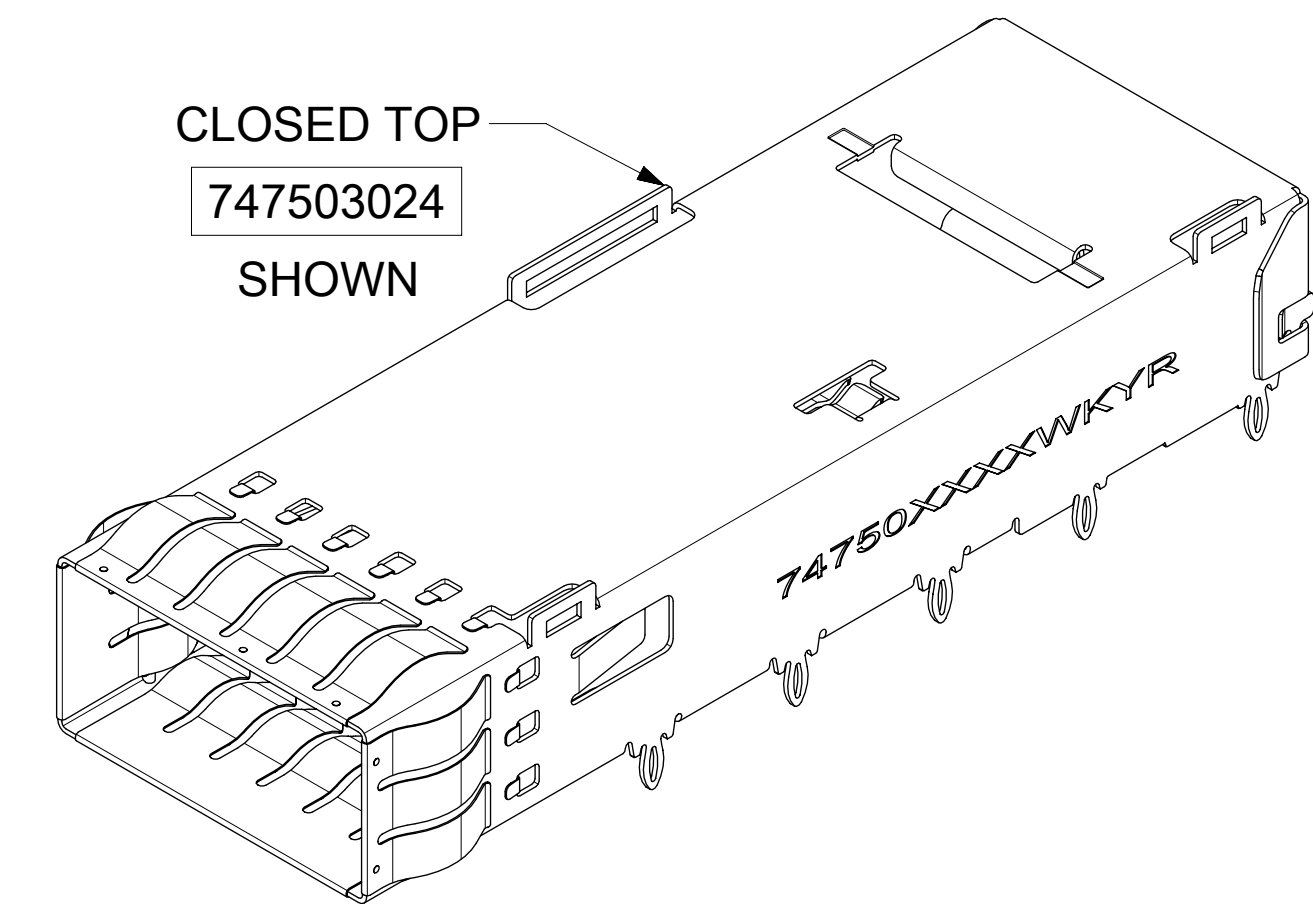
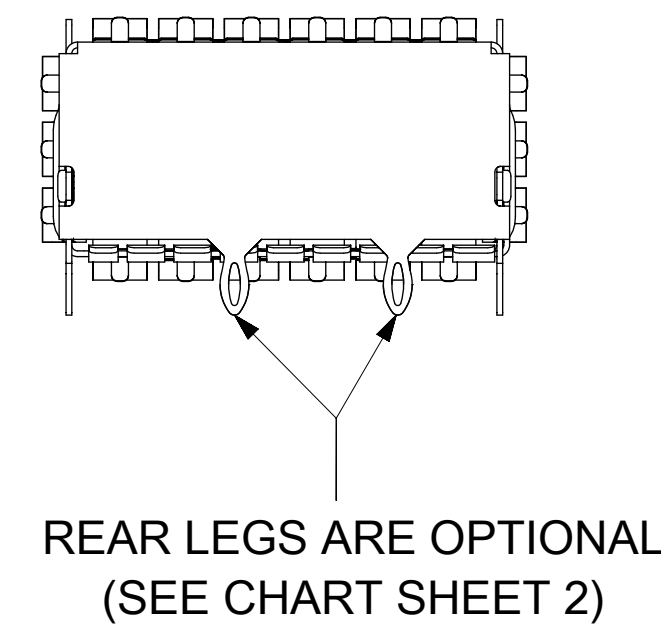
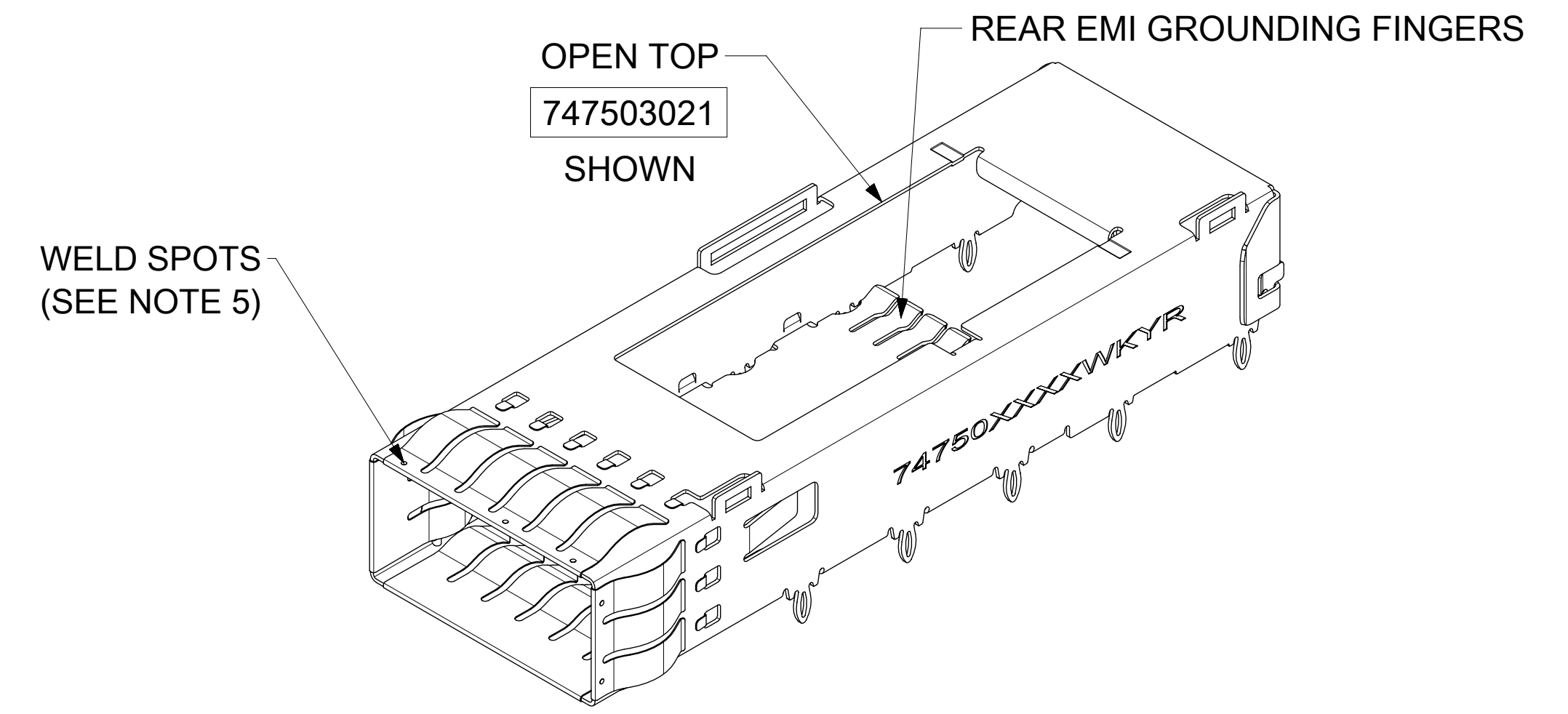
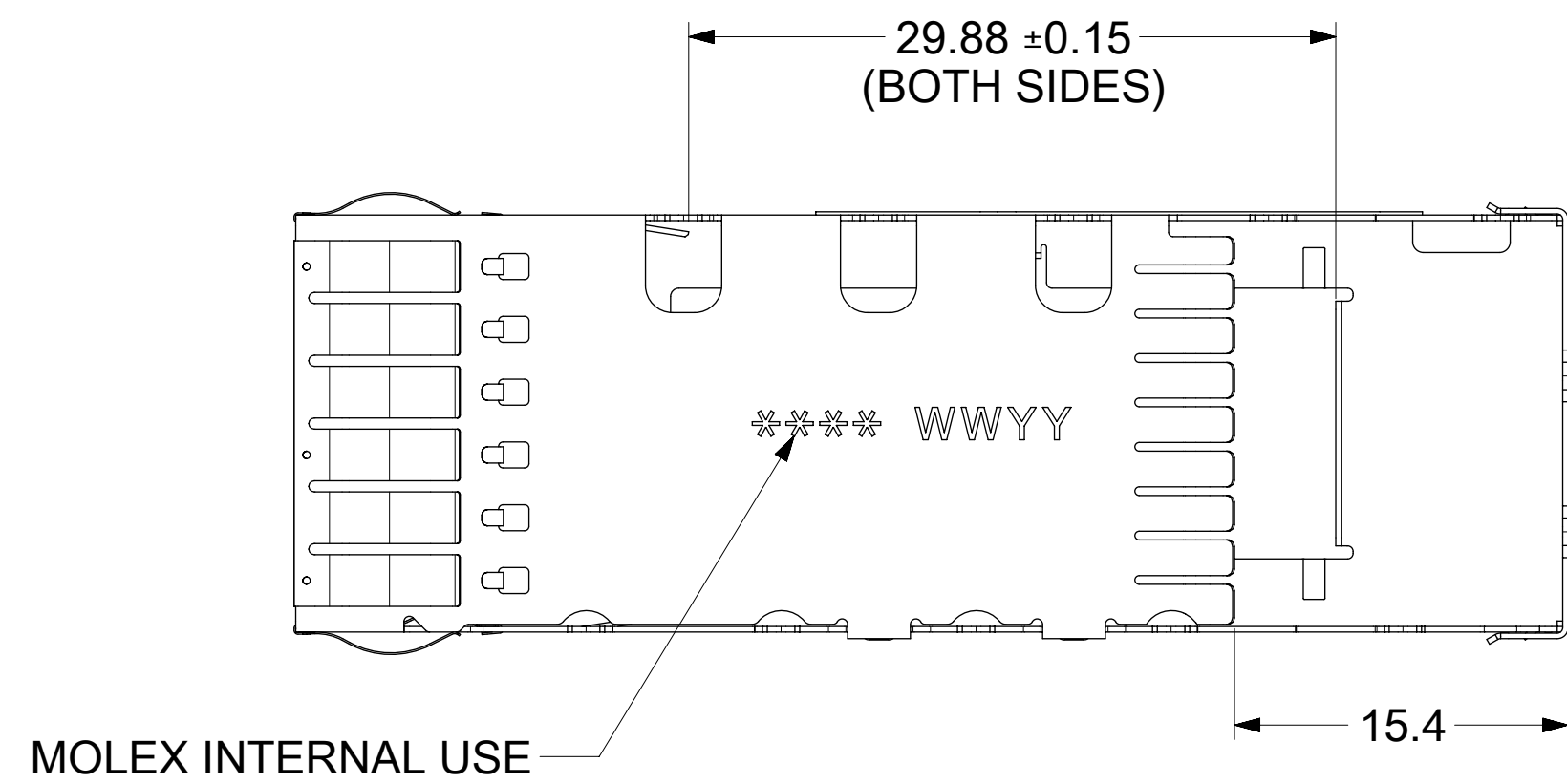
BASE CAGE DETAILS

(APPLIES TO ALL CAGES IN THIS DRAWING)



PART NO. AND WEEK/YEAR DATE CODE TO BE PRINTED ON SIDE OF COMPLETED CAGE ASSEMBLY AS SHOWN.

| WEEK/YEAR DATE CODE TABLE | |
|---------------------------|--|
| WK | 01 THRU 52 EXAMPLE: 01 = FIRST WEEK OF YEAR 52 = LAST WEEK OF YEAR |
| YR | 22, 23, 24 (ETC. EXAMPLE: YEAR 2022 = 22) |

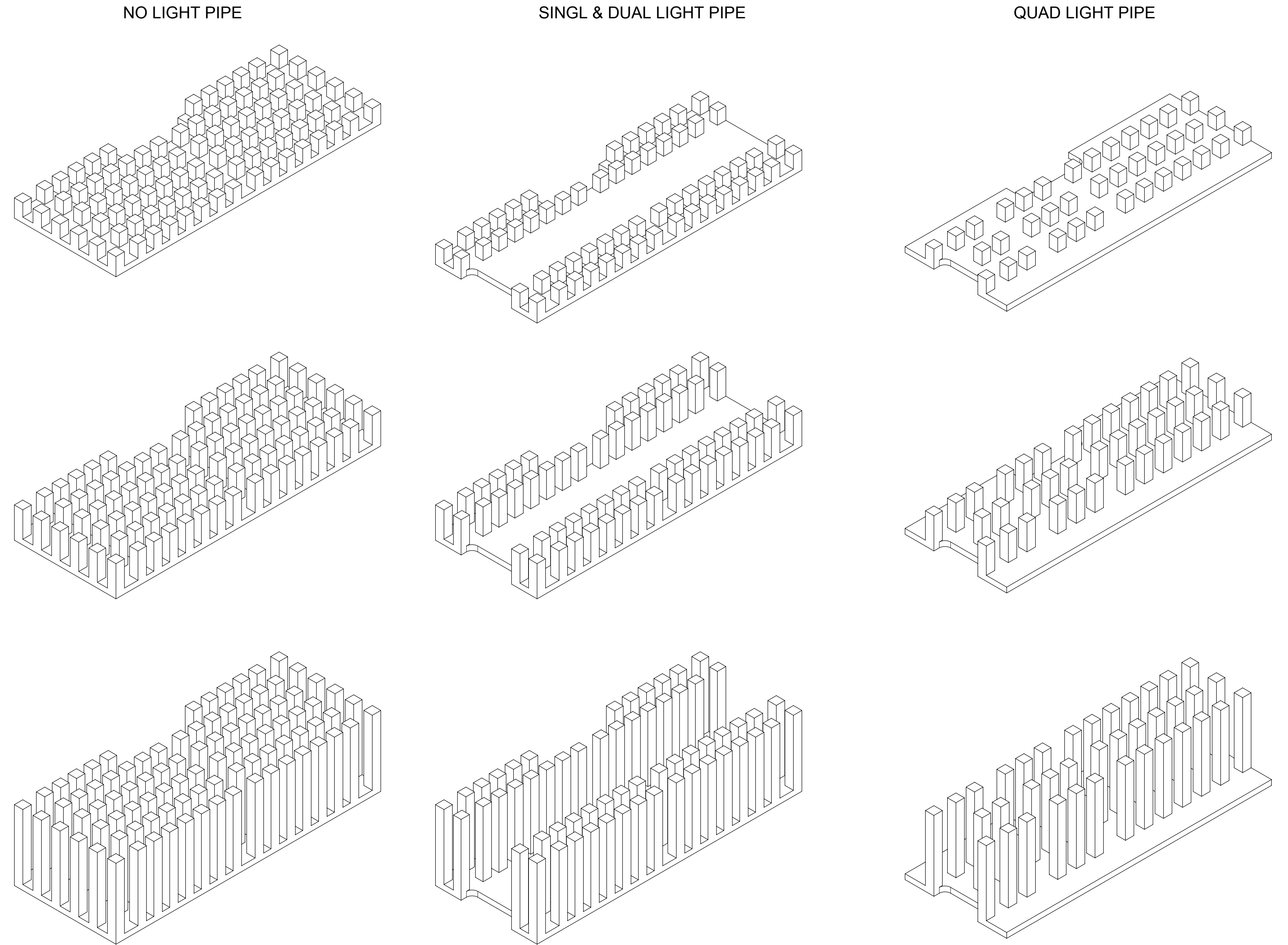
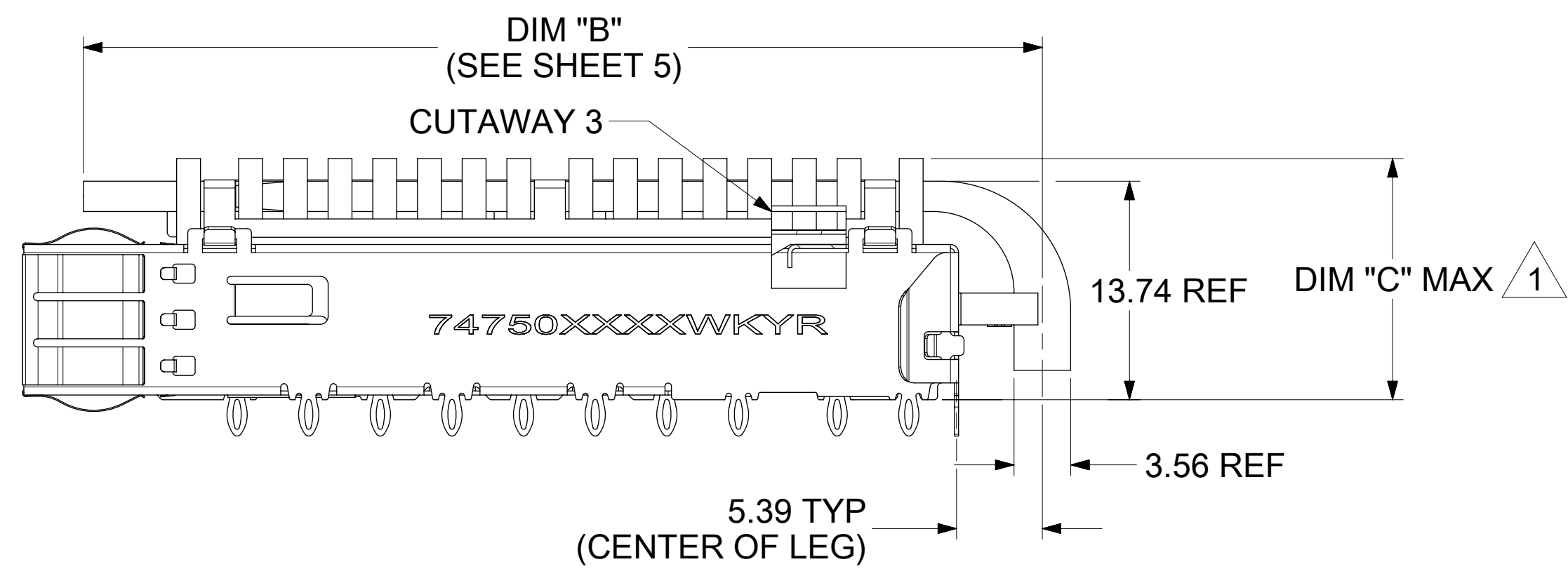


NOTES:

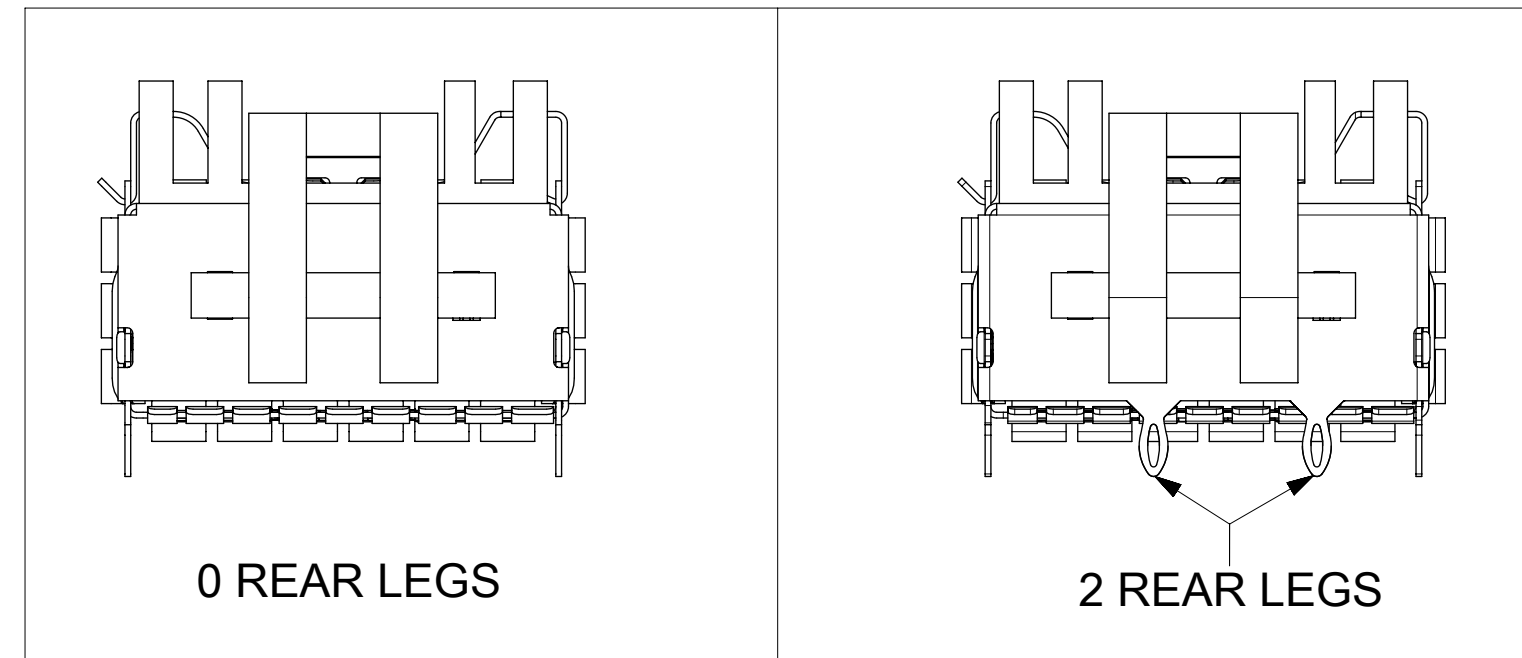
1. QSFP+ ASSEMBLIES ALSO AVAILABLE WITH 1X2 (74767 SERIES), 1X3 (74768 SERIES), 1X4 (74769 SERIES) AND 1X6 (74771 SERIES) CONFIGURATIONS.
2. MATERIAL:
 LIGHT PIPE/HEATSINK CLIP: STAINLESS STEEL
 LIGHT PIPES: POLYCARBONATE (UL 94-V-0 RATED)
 HEAT SINKS: BLACK ANNOXIDIZED ALUMINUM
 CAGE: STAINLESS STEEL
 SPRING FINGERS: STAINLESS STEEL
3. NO RoHS EXEMPTIONS
4. CUSTOM HEATSINKS AVAILABLE UPON REQUEST.
5. WELD SPOTS MAY SHOW SLIGHT MATERIAL DISCOLORATION.

| | | | | | | | | | | | | | |
|--|---|---------------------------------------|-----|----------------------------------|--------------------------|---------------|--------------------------|-----------------|--|----------|--|--------------|--|
| FUNCTIONAL SYMBOLS $\nabla_A = 0$ $\nabla_C = 0$ $\nabla_D = 0$ | THIS DRAWING CONTAINS INFORMATION THAT IS PROPRIETARY TO MOLEX ELECTRONIC TECHNOLOGIES, LLC AND SHOULD NOT BE USED WITHOUT WRITTEN PERMISSION | SCALE | | CURRENT REV DESC: SEE REV TABLE. | | | | | | | | | |
| | DIMENSION UNITS | mm | 4:1 | | | | | | | | | | |
| | DIVISIONAL SYMBOLS 4 PLACES 3 PLACES 2 PLACES 1 PLACE 0 PLACES | GENERAL TOLERANCES (UNLESS SPECIFIED) | | | EC NO: 723392 | | PRODUCT CUSTOMER DRAWING | | | | | | |
| | | ANGULAR TOL | ± | 1.0° | DRWN: VISHNM2 2022/09/27 | | | | | | | | |
| DRAFT WHERE APPLICABLE MUST REMAIN WITHIN DIMENSIONS | | THIRD ANGLE PROJECTION | | DRAWING | | SERIES | | MATERIAL NUMBER | | CUSTOMER | | SHEET NUMBER | |
| | | D-SIZE | | 74750 | | SEE P/N TABLE | | GENERAL MARKET | | 1 OF 11 | | | |

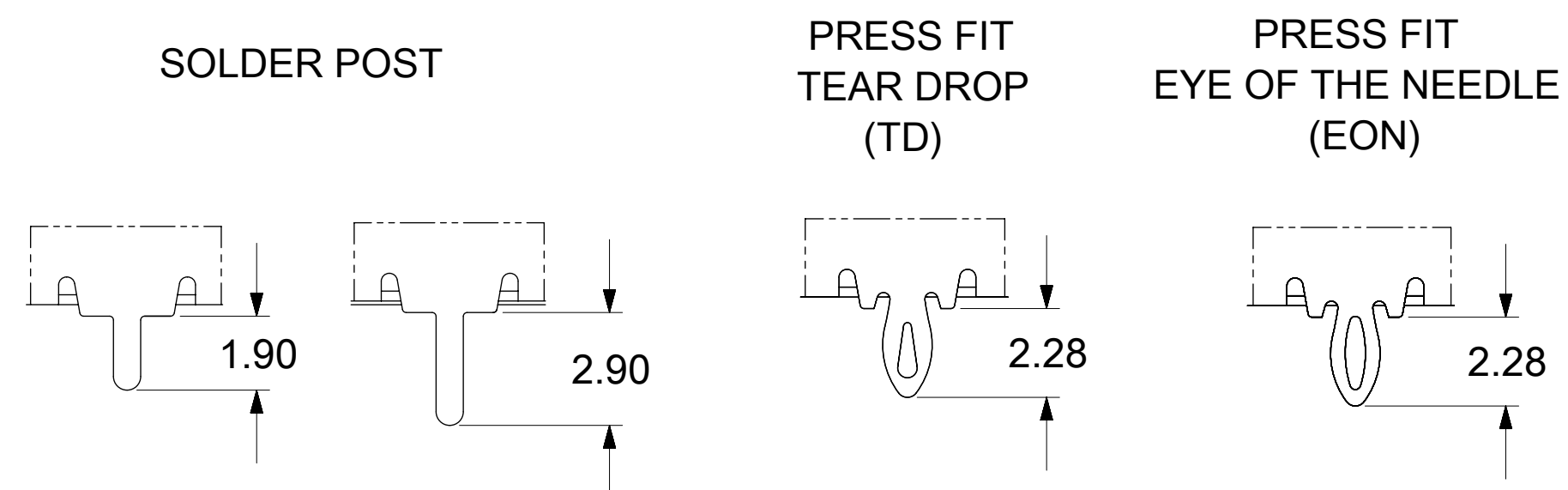
CAGE ASSEMBLY OPTIONS



REAR LEG OPTIONS



LEG OPTIONS



HEAT SINK HEIGHT OPTIONS

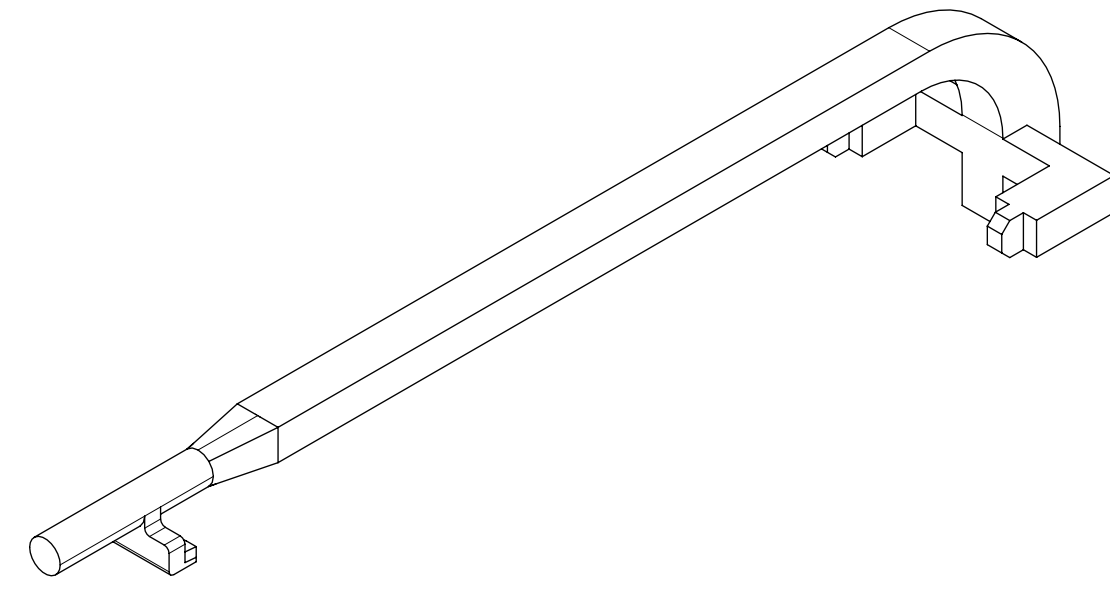
| OVERALL HEAT SINK HEIGHT | DIM C |
|--------------------------|-------|
| PCI | 13.7 |
| SAN | 16.0 |
| NET | 23.0 |

| | | | | | | |
|---|---|-----------------------|--|---------------------------------|--|--|
| FUNCTIONAL SYMBOLS $F_A = 0$ $F_C = 0$ $F_D = 0$ DIVISIONAL SYMBOLS | THIS DRAWING CONTAINS INFORMATION THAT IS PROPRIETARY TO MOLEX ELECTRONIC TECHNOLOGIES, LLC AND SHOULD NOT BE USED WITHOUT WRITTEN PERMISSION | | SCALE 3:1 | | CURRENT REV DESC: SEE REV TABLE. | |
| | DIMENSION UNITS mm | | GENERAL TOLERANCES (UNLESS SPECIFIED) ANGULAR TOL $\pm 1.0^\circ$ | | | |
| | 4 PLACES \pm 3 PLACES \pm 2 PLACES ± 0.13 1 PLACE ± 0.25 0 PLACES \pm | | EC NO: 723392 DRWN: VISHNM2 CHK'D: DKUMARG APPR: SCHIEN | | 2022/09/27 2022/10/03 2022/10/12 | |
| | DRAFT WHERE APPLICABLE MUST REMAIN WITHIN DIMENSIONS | | THIRD ANGLE PROJECTION | | DRAWING SERIES D-SIZE 74750 | |
| MOLEX | | | QSFP+ 1X1 CAGE ASSEMBLY WITH SUS TAB TYPE SPRING FINGER | | | |
| PRODUCT CUSTOMER DRAWING | | | DOCUMENT NUMBER 747503021 | | | |
| DOCUMENT STATUS P1 RELEASE DATE 2022/10/12 10:55:32 | | DOC TYPE PSD ASY B | | DOC PART REVISION 2 OF 11 | | |

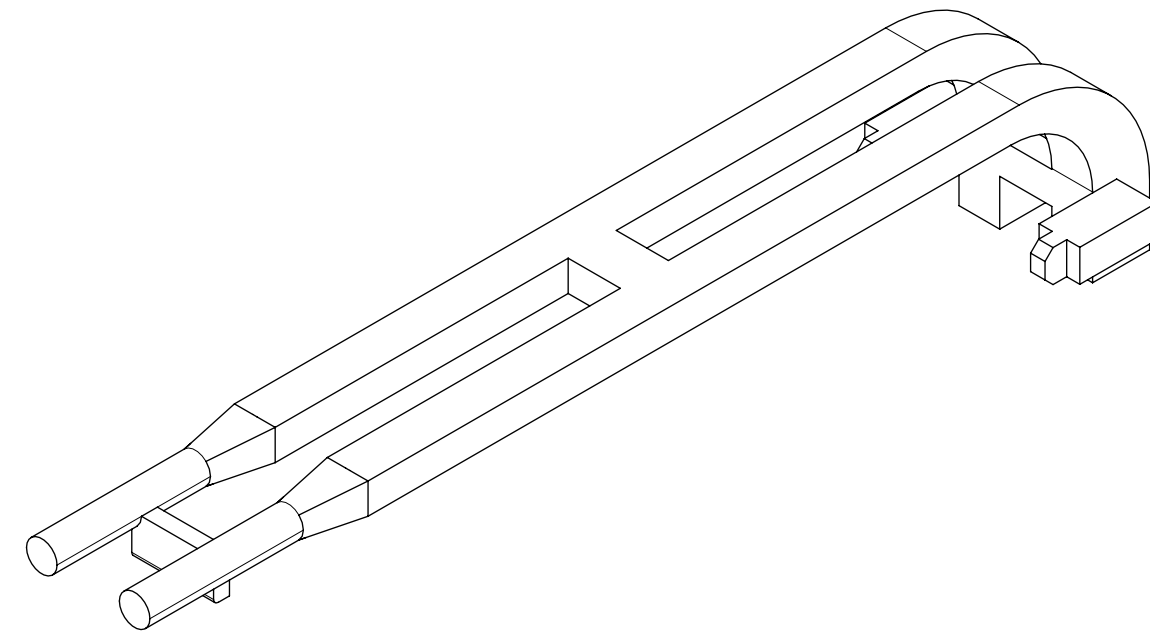
1 HEIGHT OF HEATSINK WITH MODULE INSERTED. DIMENSION MAY BE LESS DUE TO MODULE AND HEATSINK VARIATIONS.

CAGE ASSEMBLY OPTIONS (CONT.)

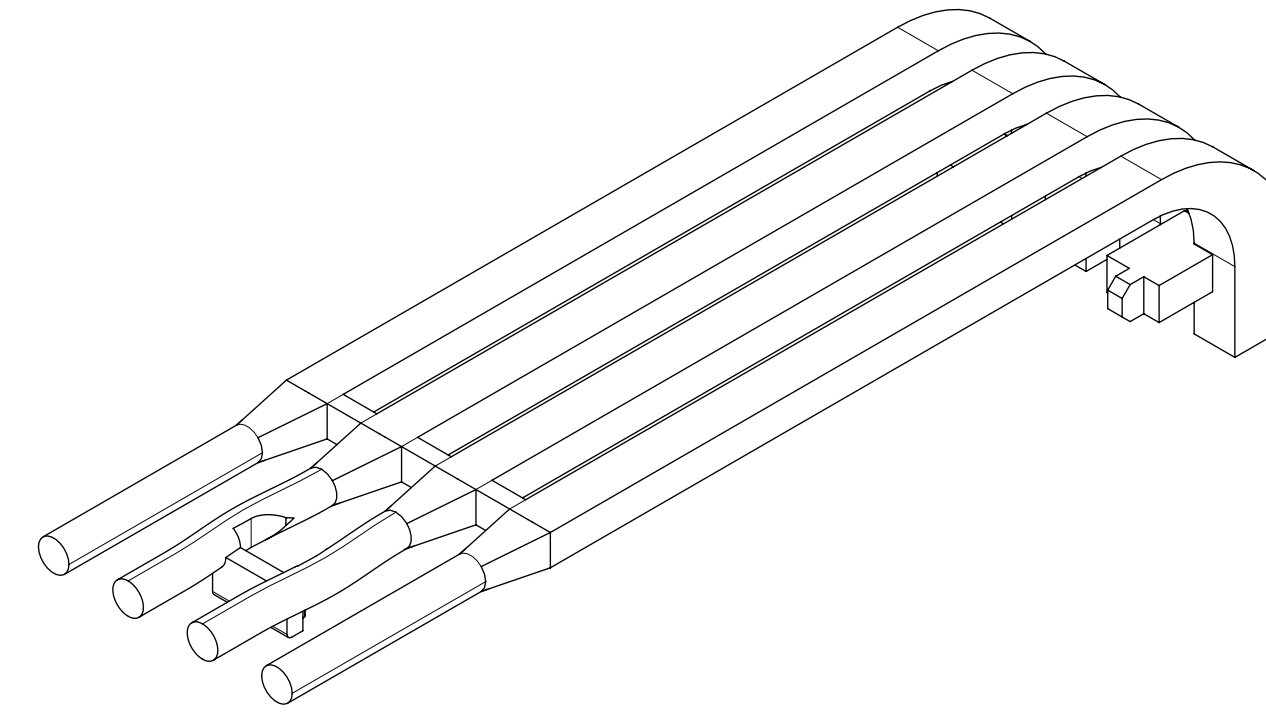
SINGLE LIGHT PIPE



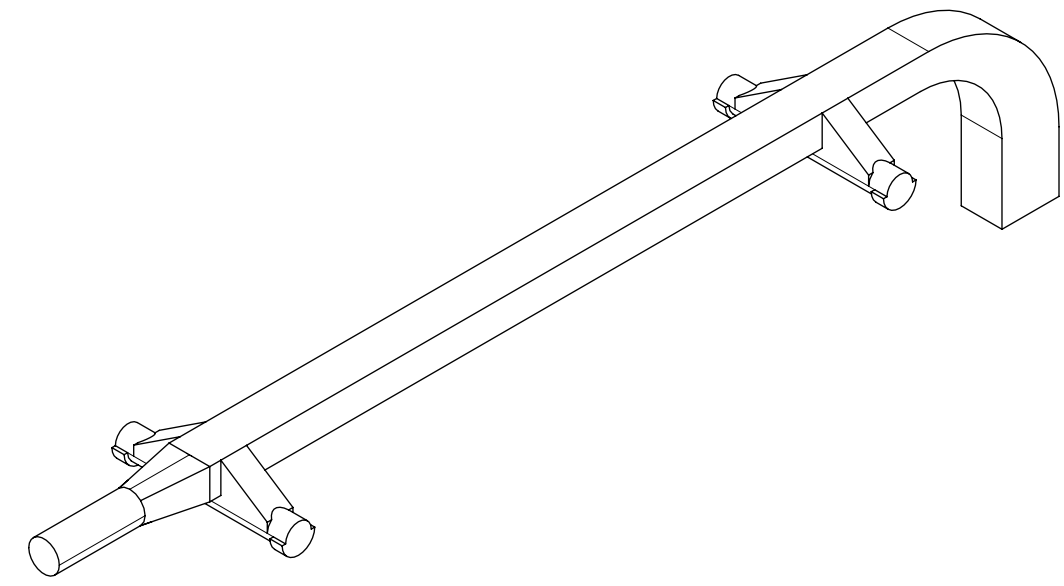
DUAL LIGHT PIPE



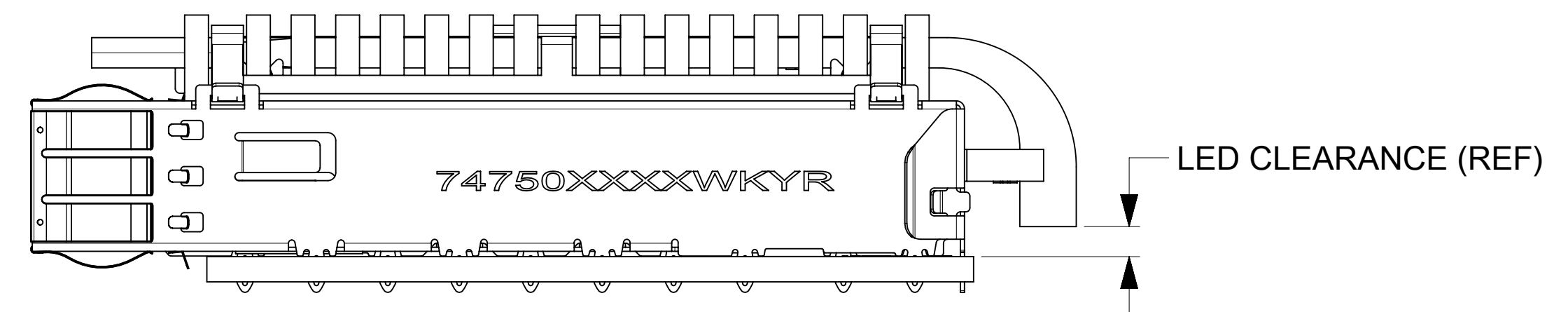
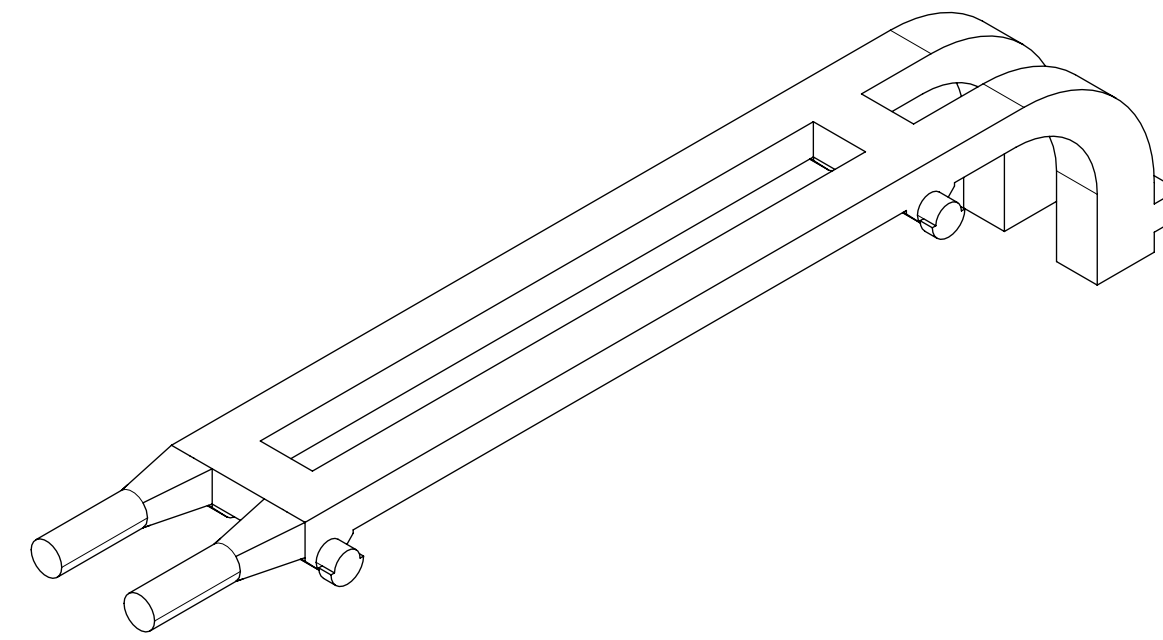
QUAD LIGHT PIPE



SINGLE LIGHT PIPE



DUAL LIGHT PIPE



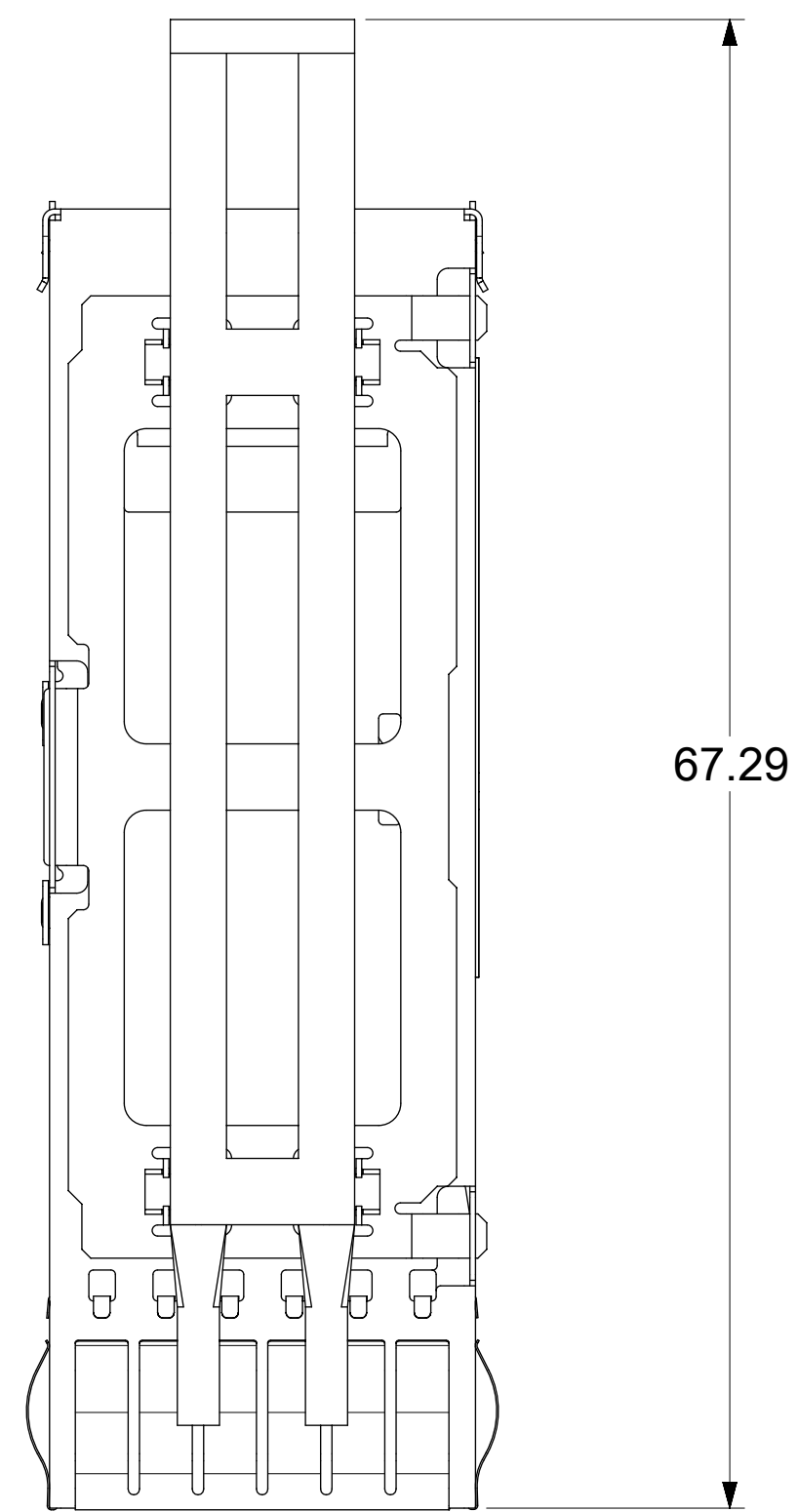
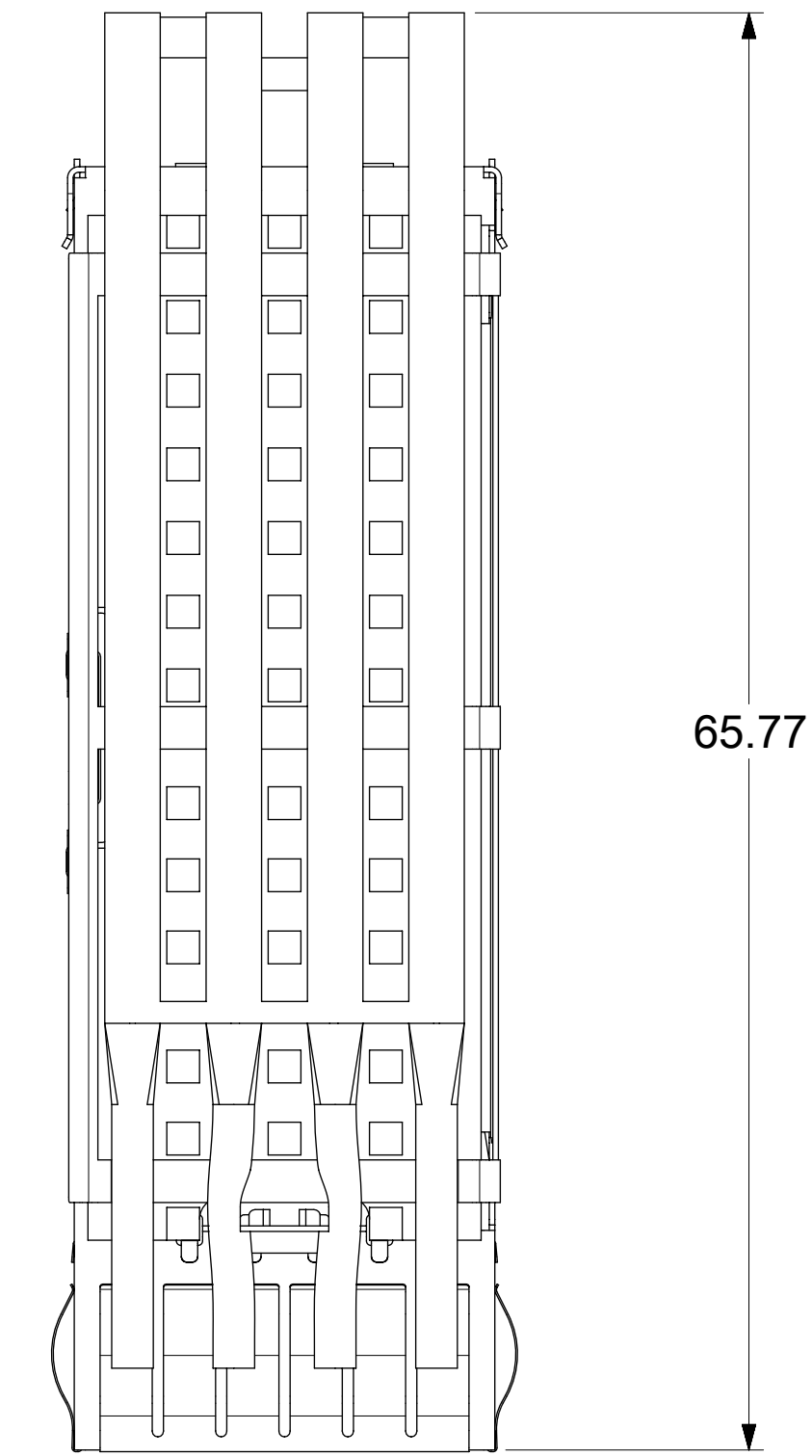
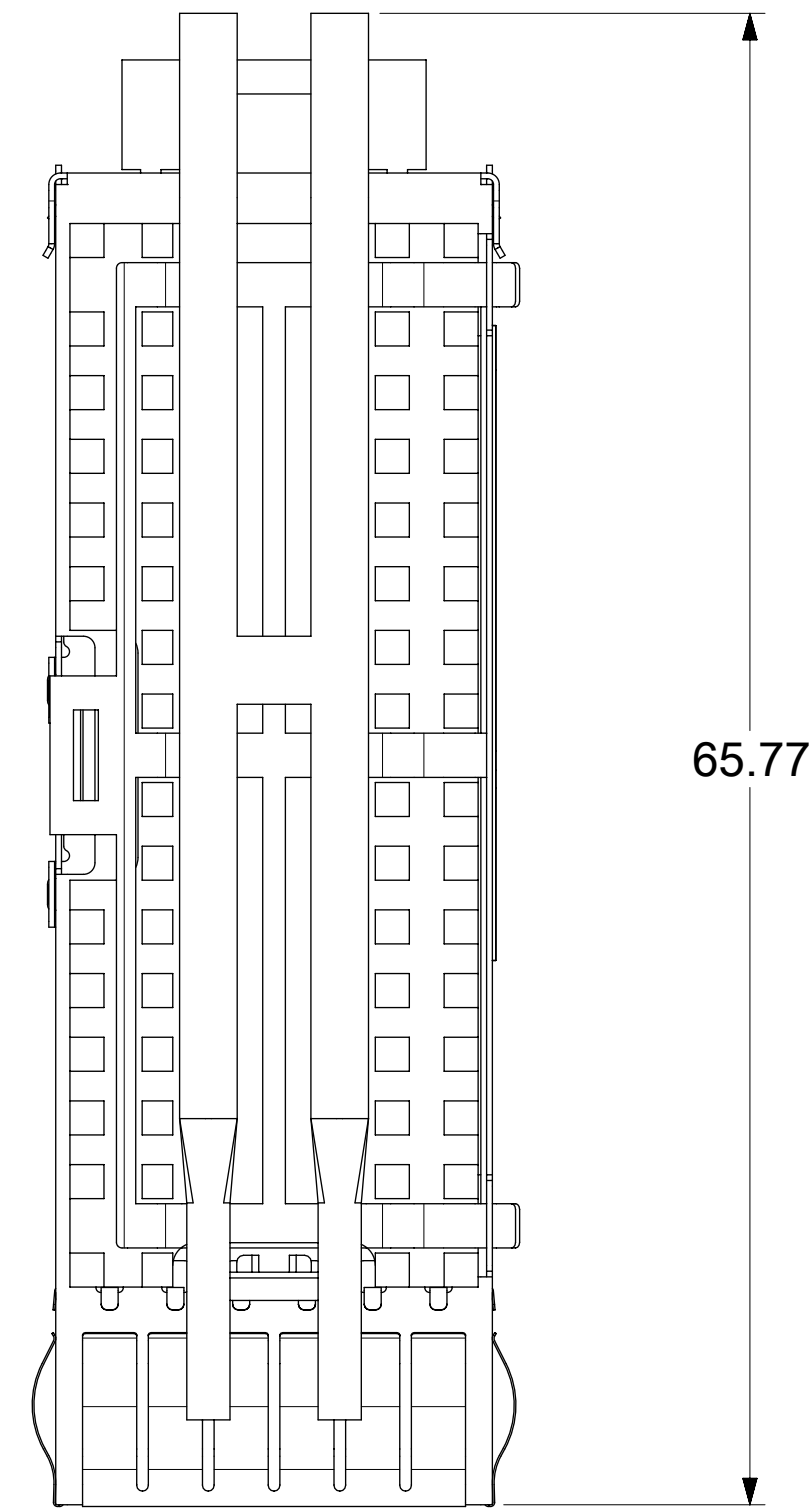
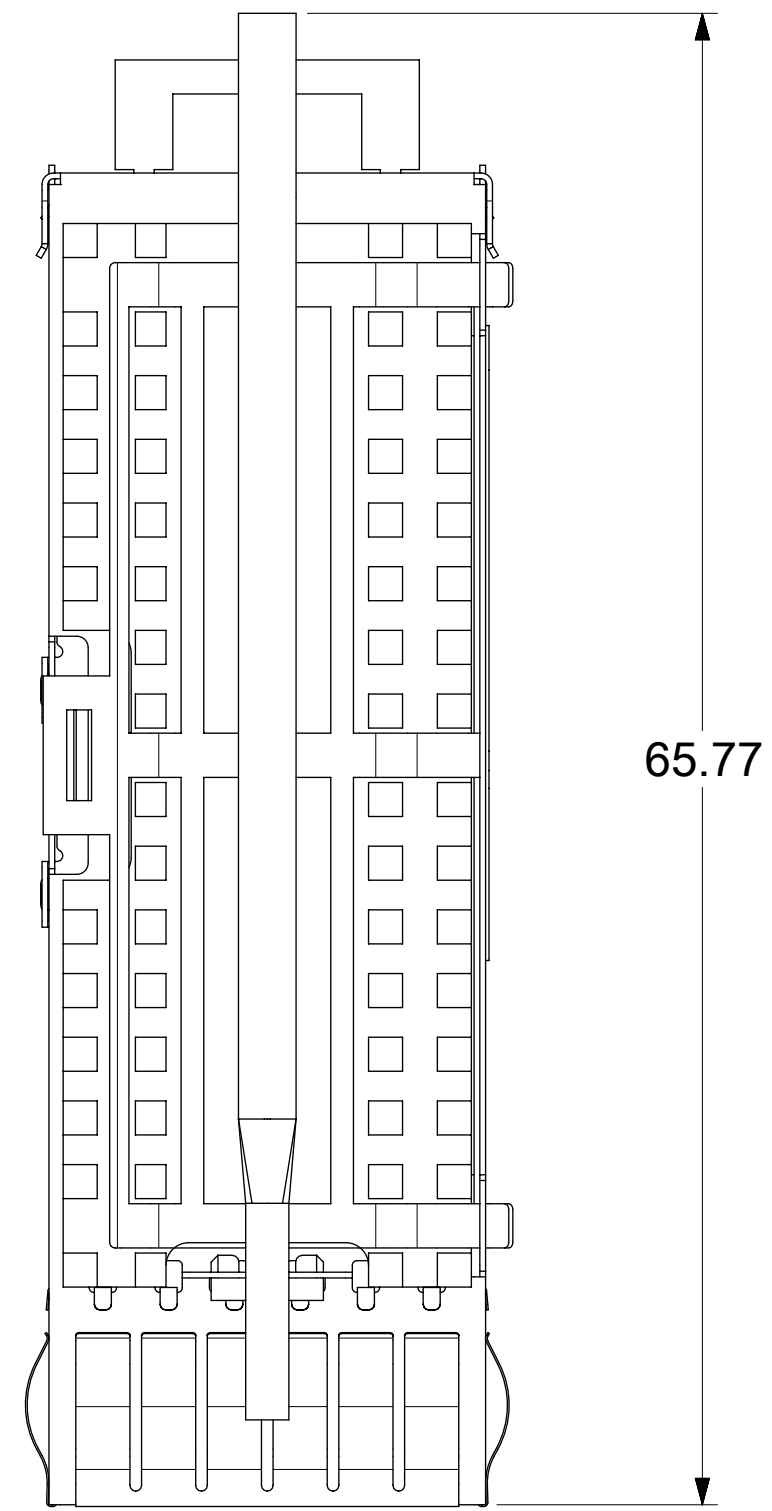
| LIGHT PIPE | LED CLEARANCE (REF) |
|------------|---------------------|
| SINGLE | 1.86 |
| SINGLE | 1.86 |
| DUAL | 1.86 |
| DUAL | 1.86 |
| QUAD | 1.86 |

| | | | | | | | | |
|---|---|--|----------------------------------|--|----------------------|-----------------------------------|----------------------|----------------------|
| FUNCTIONAL SYMBOLS $\nabla_A = 0$ $\nabla_C = 0$ $\nabla_D = 0$ | THIS DRAWING CONTAINS INFORMATION THAT IS PROPRIETARY TO MOLEX ELECTRONIC TECHNOLOGIES, LLC AND SHOULD NOT BE USED WITHOUT WRITTEN PERMISSION | | CURRENT REV DESC: SEE REV TABLE. | | | | | |
| | DIMENSION UNITS: mm SCALE: 3:1 | GENERAL TOLERANCES (UNLESS SPECIFIED) ANGULAR TOL $\pm 1.0^\circ$ | | | | | | |
| | DIVISIONAL SYMBOLS 4 PLACES \pm 3 PLACES \pm 2 PLACES ± 0.13 1 PLACE ± 0.25 0 PLACES \pm | EC NO: 723392 DRWN: VISHNM2 CHK'D: DKUMARG APPR: SCHIEN | | 2022/09/27 2022/10/03 2022/10/12 | | PRODUCT CUSTOMER DRAWING | | |
| | DRAFT WHERE APPLICABLE MUST REMAIN WITHIN DIMENSIONS | THIRD ANGLE PROJECTION | | DRAWING: D-SIZE | SERIES: 74750 | DOCUMENT NUMBER: 747503021 | DOC TYPE: PSD | DOC PART: ASY |

NOTE:
1) FOR HEATSINK OPTIONS SEE SHEET 2.

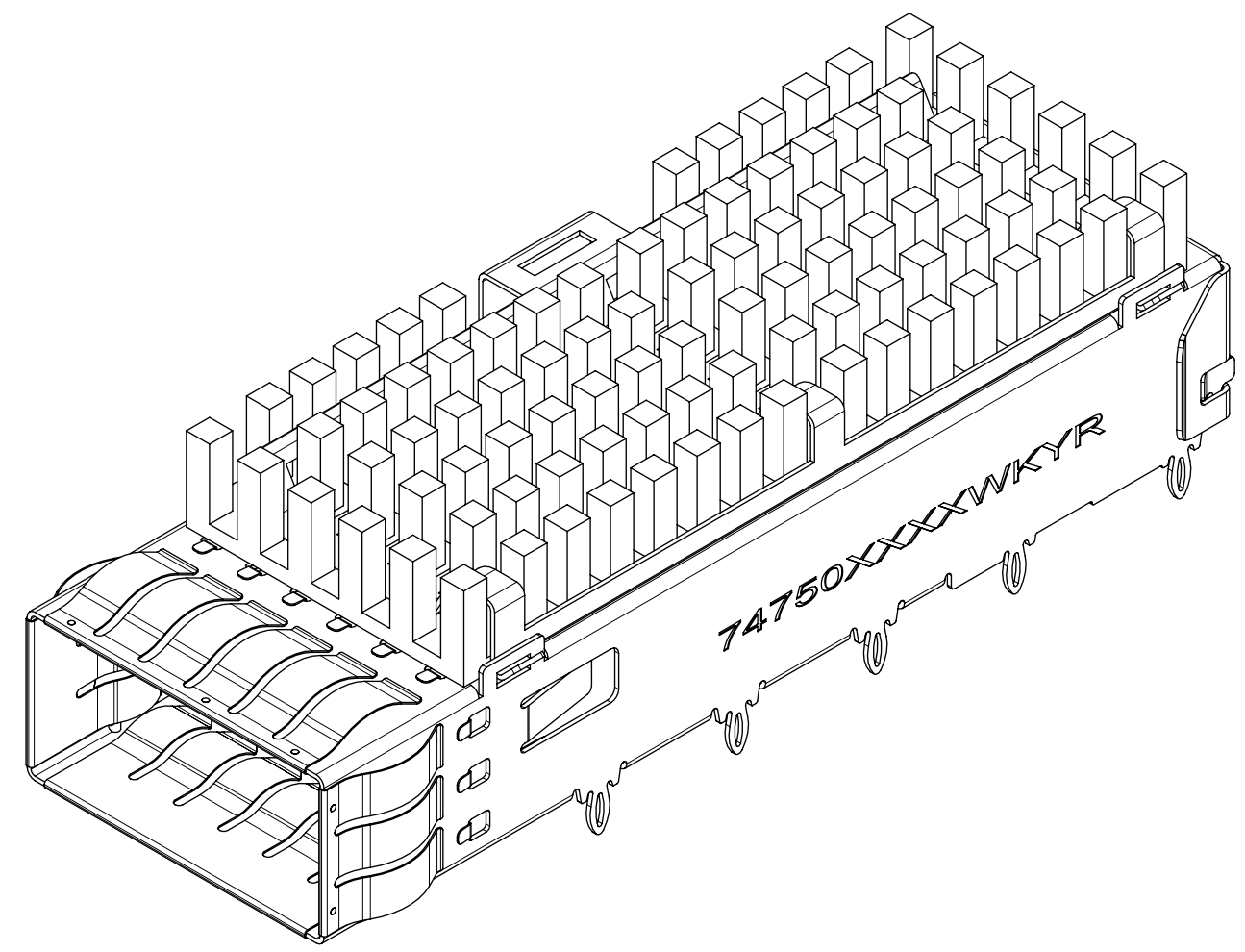
| | | | | |
|-----------------|----|--------------|------------|----------|
| DOCUMENT STATUS | P1 | RELEASE DATE | 2022/10/12 | 10:55:32 |
|-----------------|----|--------------|------------|----------|

CAGE ASSEMBLY OPTIONS (CONT.)

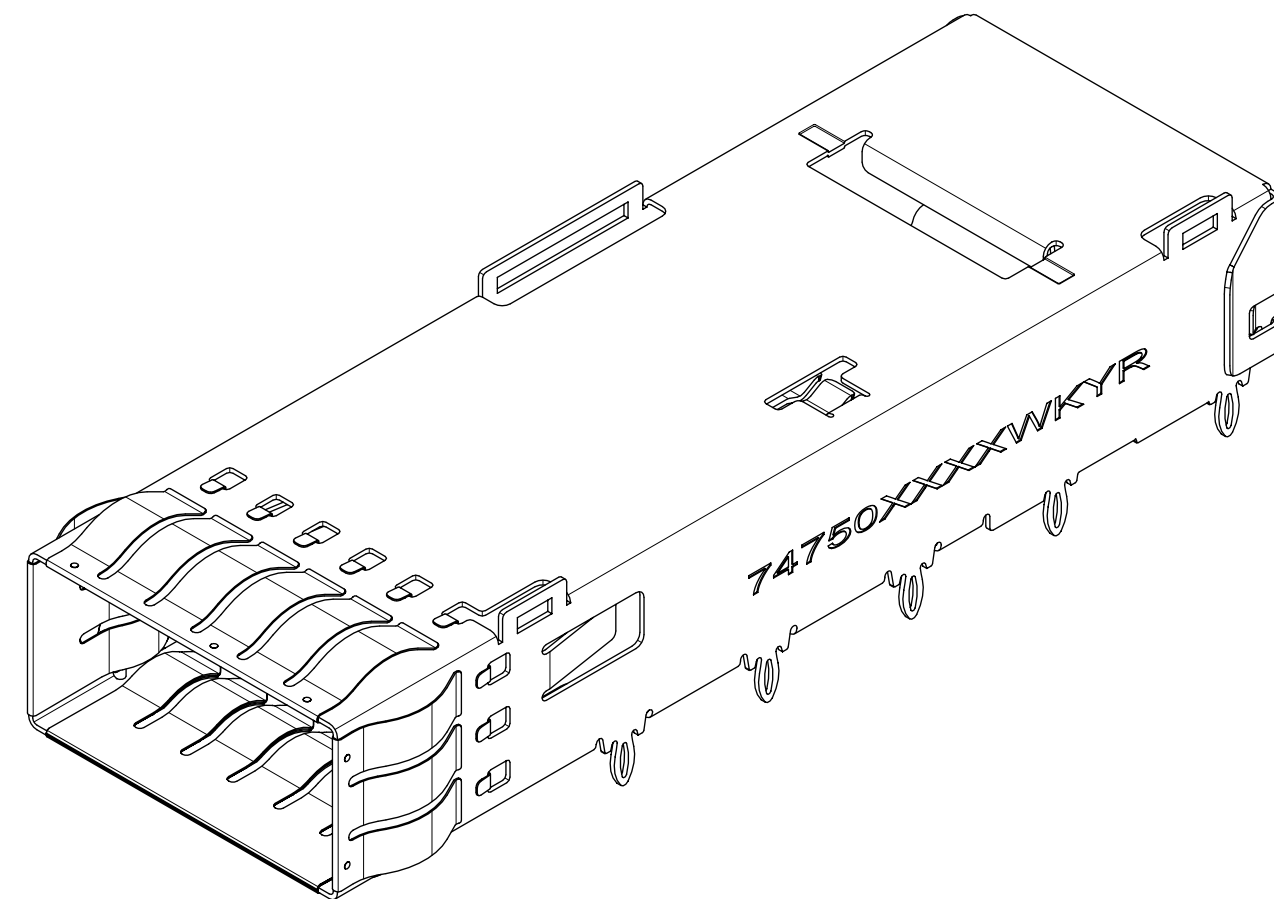


| | | | | | | | |
|--------------------|---|--------|--|--|---|--|--|
| FUNCTIONAL SYMBOLS | THIS DRAWING CONTAINS INFORMATION THAT IS PROPRIETARY TO MOLEX ELECTRONIC TECHNOLOGIES, LLC AND SHOULD NOT BE USED WITHOUT WRITTEN PERMISSION | | CURRENT REV DESC: SEE REV TABLE. | | | | |
| | DIMENSION UNITS | SCALE | | | | | |
| $\nabla_A = 0$ | mm | 3:1 | GENERAL TOLERANCES (UNLESS SPECIFIED) | | EC NO: 723392 DRWN: VISHNM2 2022/09/27 CHK'D: DKUMARG 2022/10/03 APPR: SCHIEN 2022/10/12 | | |
| $\nabla_C = 0$ | ANGULAR TOL $\pm 1.0^\circ$ | | | | | | |
| $\nabla_D = 0$ | 4 PLACES \pm | | INITIAL REVISION: | | DOCUMENT NUMBER: 747503021 DOC TYPE: PSD DOC PART: ASY REVISION: B | | |
| DIVISIONAL SYMBOLS | 3 PLACES \pm | | | | | | |
| | 2 PLACES ± 0.13 | | DRWN: CHETHH2 2022/02/17 APPR: JCHIANG 2022/03/28 | | MATERIAL NUMBER: 74750 CUSTOMER: GENERAL MARKET | | |
| | 1 PLACE ± 0.25 | | | | | | |
| | 0 PLACES \pm | | DRAFT WHERE APPLICABLE MUST REMAIN WITHIN DIMENSIONS | | SHEET NUMBER: 4 OF 11 | | |
| | THIRD ANGLE PROJECTION | | | | | | |
| DRAWING | | SERIES | D-SIZE | | SEE P/N TABLE | | |

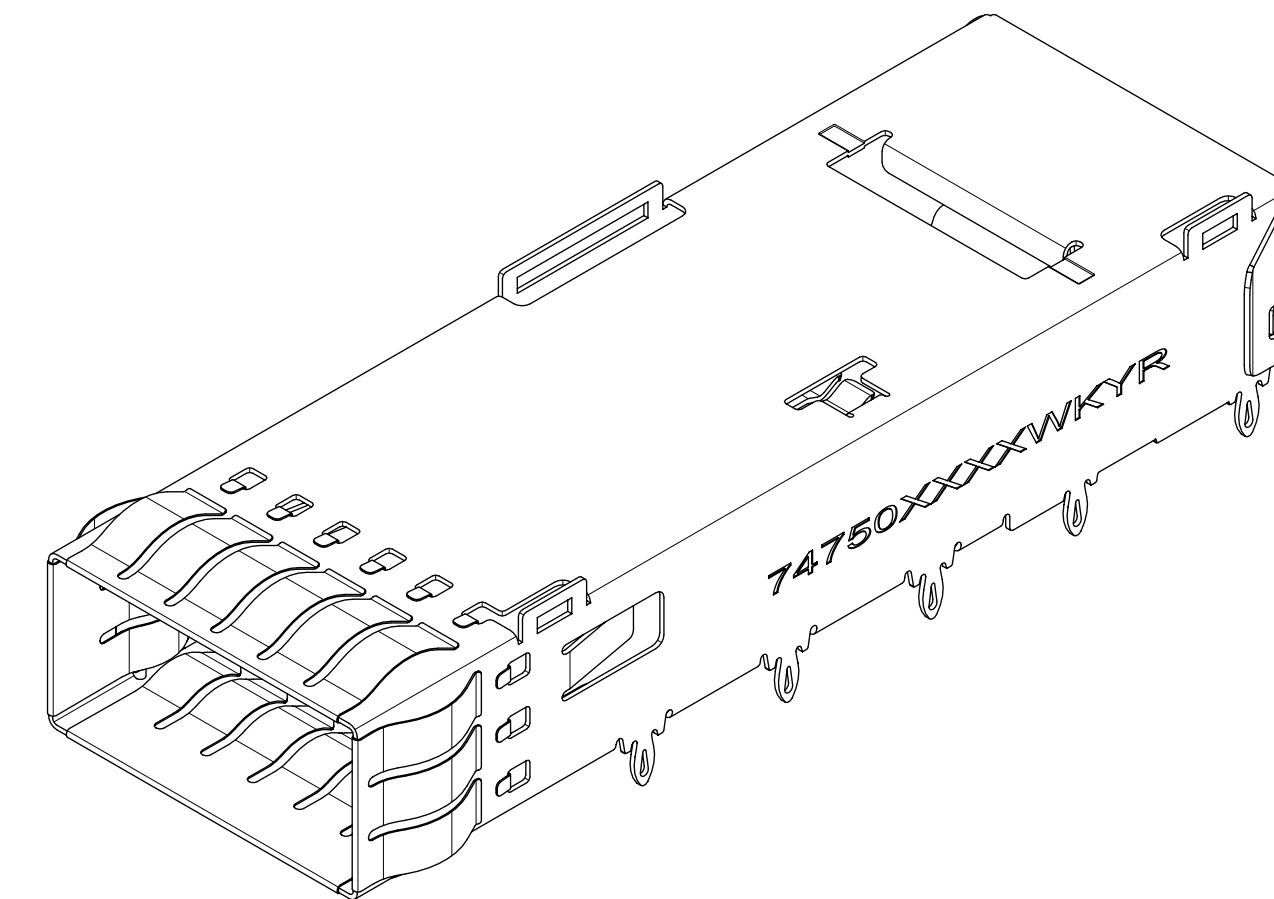
PART NUMBER SELECTION



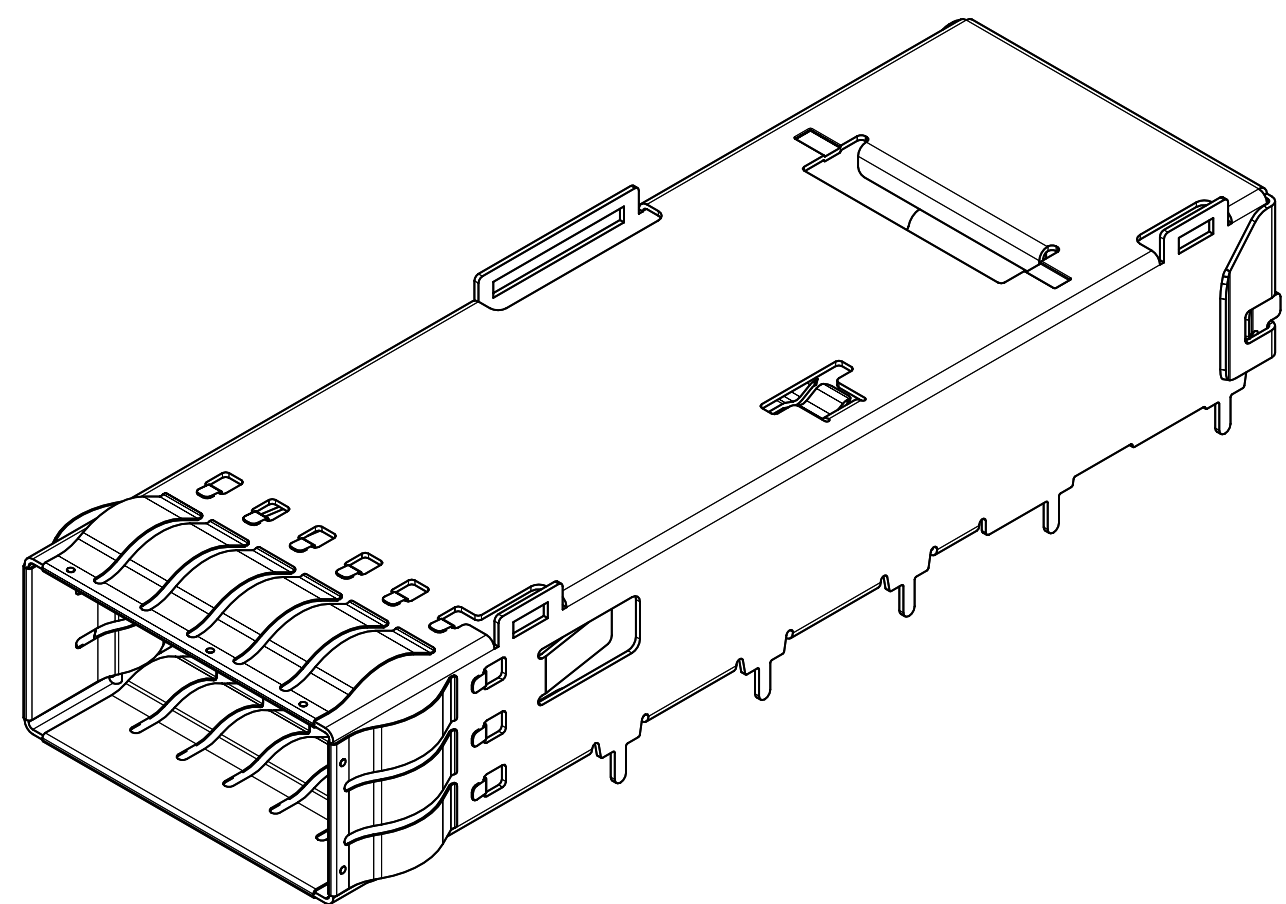
| MOLEX P/N | HS | # OF REAR LEGS PER PORT | LEG TYPE | DIM "A" | PLATING |
|-----------|-----|-------------------------|---------------|---------|---------|
| 747503040 | SAN | 2 | PRESS FIT-EON | 2.28 | NICKEL |
| 747503044 | PCI | 2 | PRESS FIT-EON | 2.28 | NICKEL |
| 747503046 | NET | 2 | PRESS FIT-EON | 2.28 | NICKEL |



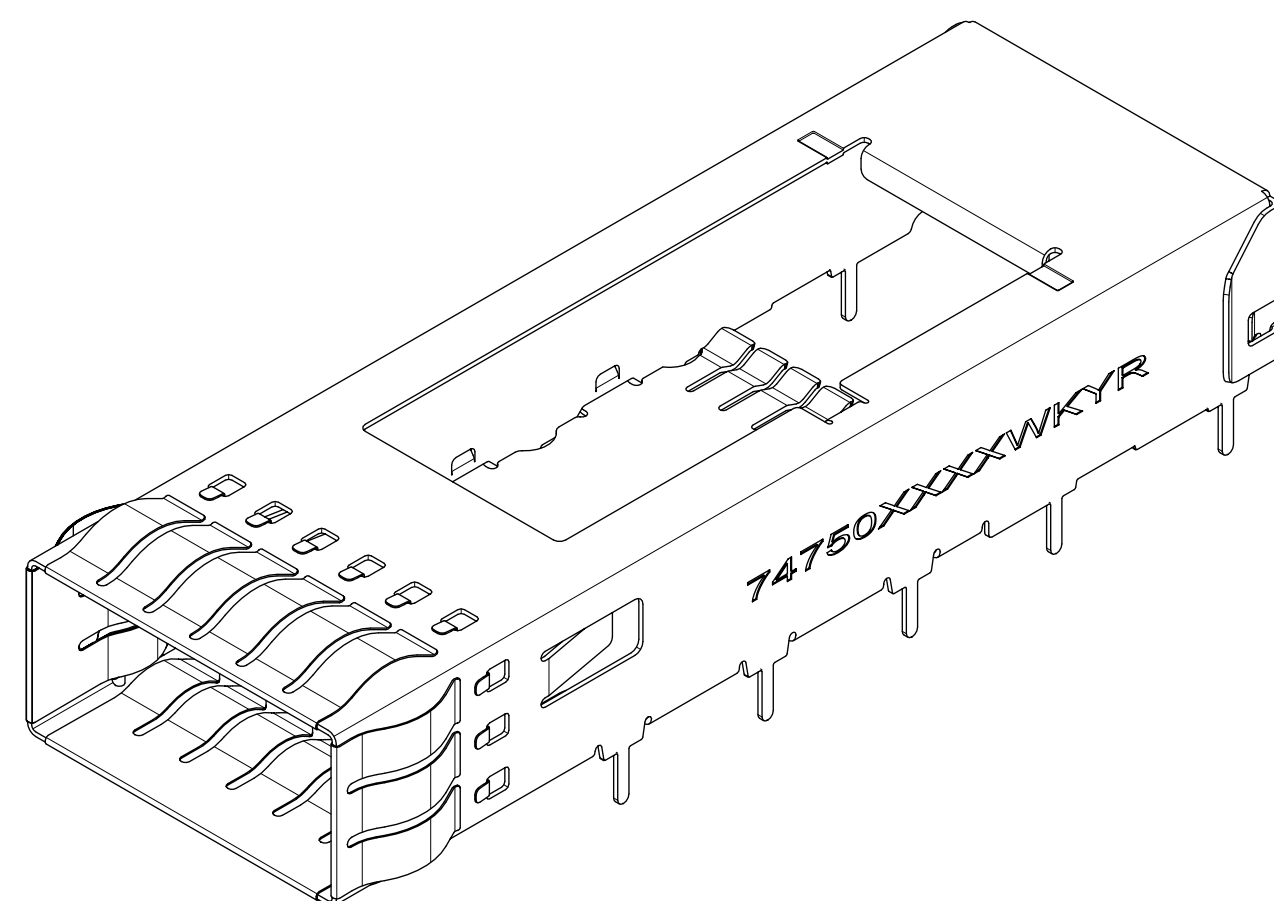
| MOLEX P/N | # OF REAR LEGS PER PORT | LEG TYPE | DIM "A" | PLATING |
|-----------|-------------------------|---------------|---------|---------|
| 747503024 | 2 | PRESS FIT-EON | 2.28 | NICKEL |



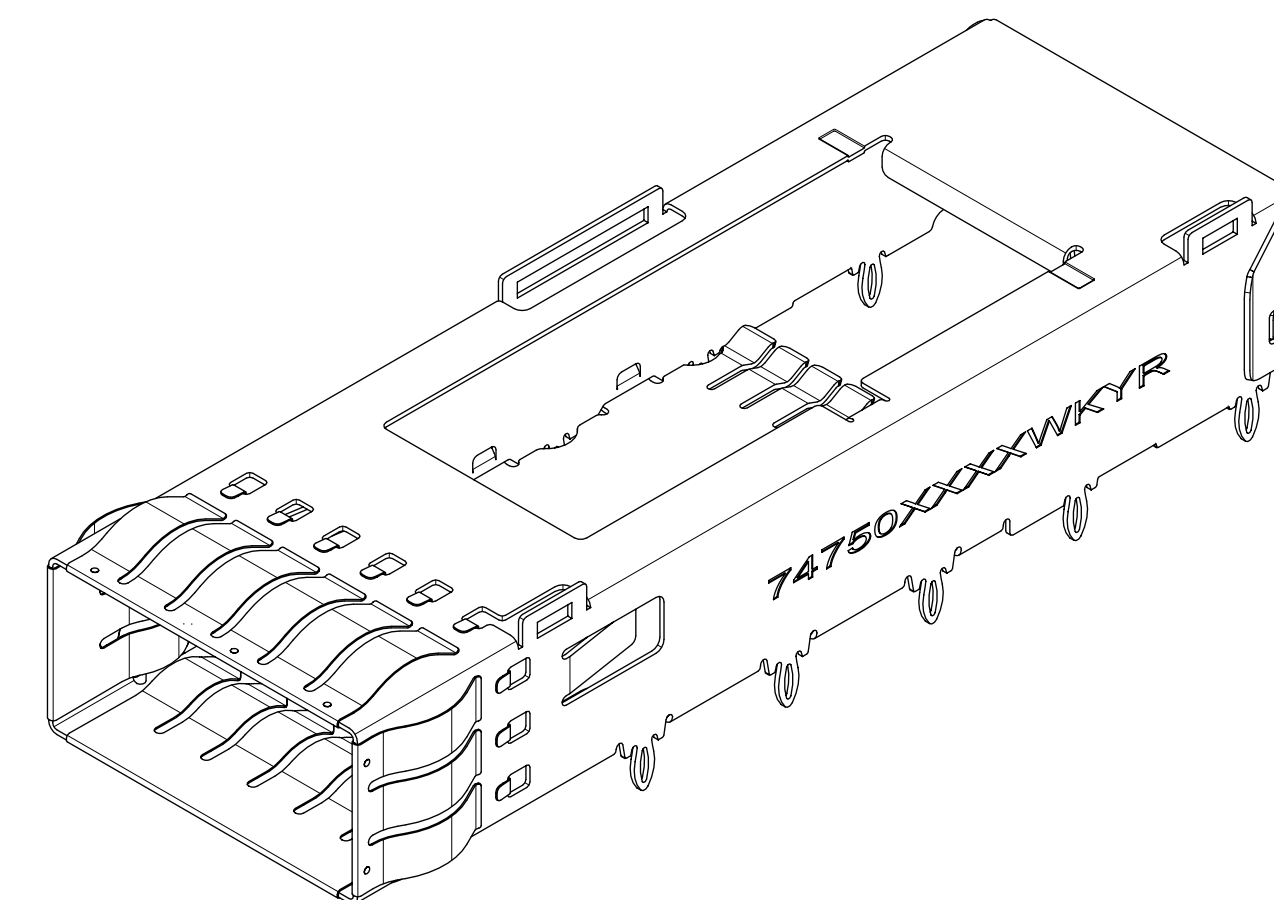
| MOLEX P/N | # OF REAR LEGS PER PORT | LEG TYPE | DIM "A" | PLATING |
|-----------|-------------------------|--------------|---------|---------|
| 747503102 | 2 | PRESS FIT-TD | 2.28 | NICKEL |



| MOLEX P/N | # OF REAR LEGS PER PORT | LEG TYPE | DIM "A" | PLATING |
|-----------|-------------------------|-------------|---------|---------|
| 747503051 | 2 | SOLDER POST | 1.90 | NICKEL |



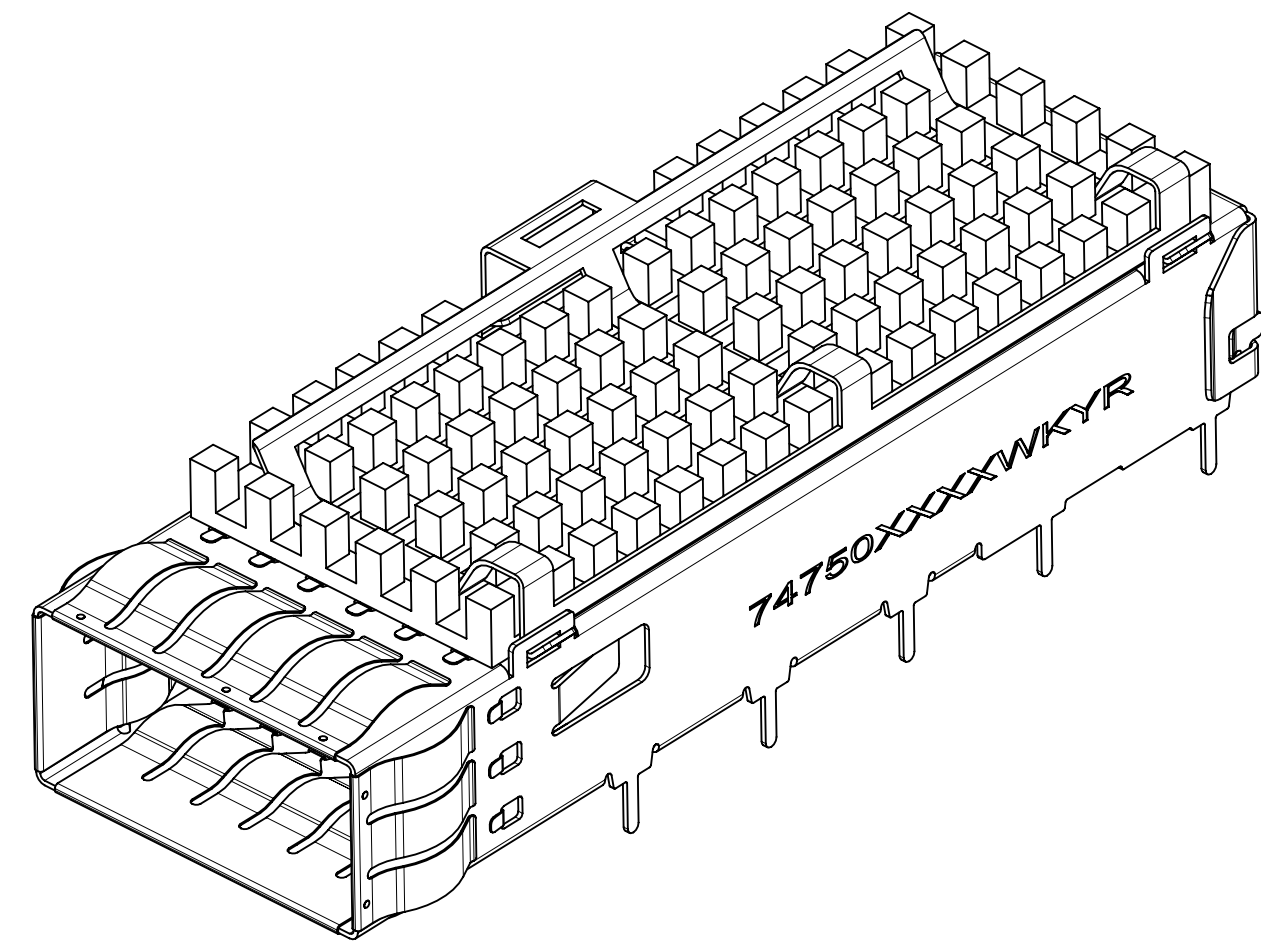
| MOLEX P/N | # OF REAR LEGS PER PORT | LEG TYPE | DIM "A" | PLATING |
|-----------|-------------------------|-------------|---------|---------|
| 747503062 | 2 | SOLDER POST | 2.90 | NICKEL |



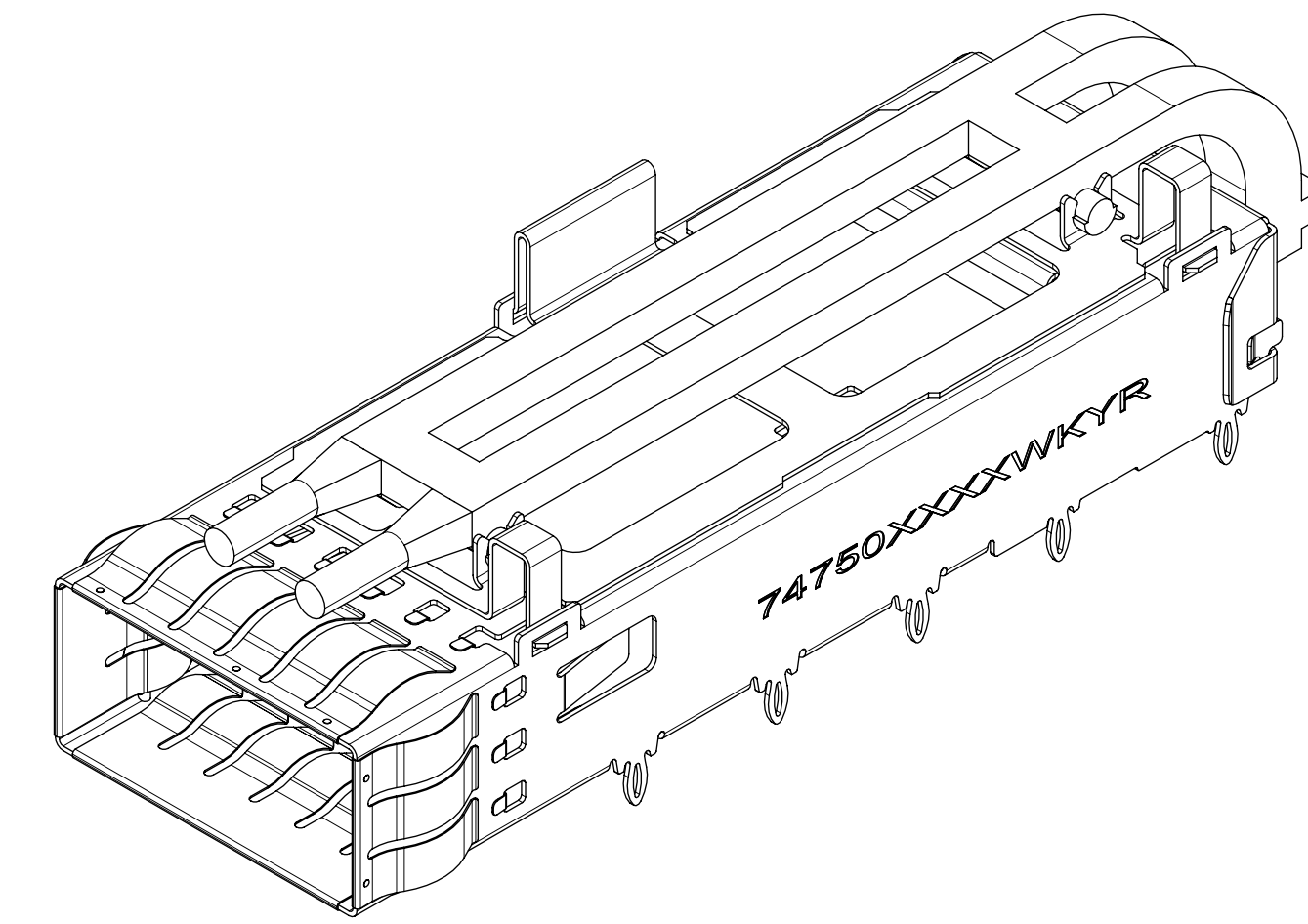
| MOLEX P/N | # OF REAR LEGS PER PORT | LEG TYPE | DIM "A" | PLATING |
|-----------|-------------------------|---------------|---------|---------|
| 747503021 | 2 | PRESS FIT-EON | 2.28 | NICKEL |
| 747503023 | 0 | PRESS FIT-EON | 2.28 | NICKEL |

| | | | | | |
|--|---|--------|----------------------------------|----------------|--|
| FUNCTIONAL SYMBOLS FA = 0 FC = 0 FD = 0 | THIS DRAWING CONTAINS INFORMATION THAT IS PROPRIETARY TO MOLEX ELECTRONIC TECHNOLOGIES, LLC AND SHOULD NOT BE USED WITHOUT WRITTEN PERMISSION | | CURRENT REV DESC: SEE REV TABLE. | | molex |
| | DIMENSION UNITS | SCALE | | | |
| | mm | 3:1 | | | QSFP+ 1X1 CAGE ASSEMBLY WITH SUS TAB TYPE SPRING FINGER |
| GENERAL TOLERANCES (UNLESS SPECIFIED) | | | | | |
| ANGULAR TOL ± 1.0° | | | | | PRODUCT CUSTOMER DRAWING |
| 4 PLACES ± | | | EC NO: 723392 | | |
| 3 PLACES ± | | | DRWN: VISHNM2 2022/09/27 | | |
| 2 PLACES ± 0.13 | | | CHK'D: DKUMARG 2022/10/03 | | |
| 1 PLACE ± 0.25 | | | APPR: SCHIEN 2022/10/12 | | |
| 0 PLACES ± | | | INITIAL REVISION: | | |
| DRAFT WHERE APPLICABLE MUST REMAIN WITHIN DIMENSIONS | | | DRWN: CHETHH2 2022/02/17 | | |
| THIRD ANGLE PROJECTION | | | APPR: JCHIANG 2022/03/28 | | |
| DRAWING | | SERIES | MATERIAL NUMBER | CUSTOMER | SHEET NUMBER |
| D-SIZE | | 74750 | SEE P/N TABLE | GENERAL MARKET | 5 OF 11 |

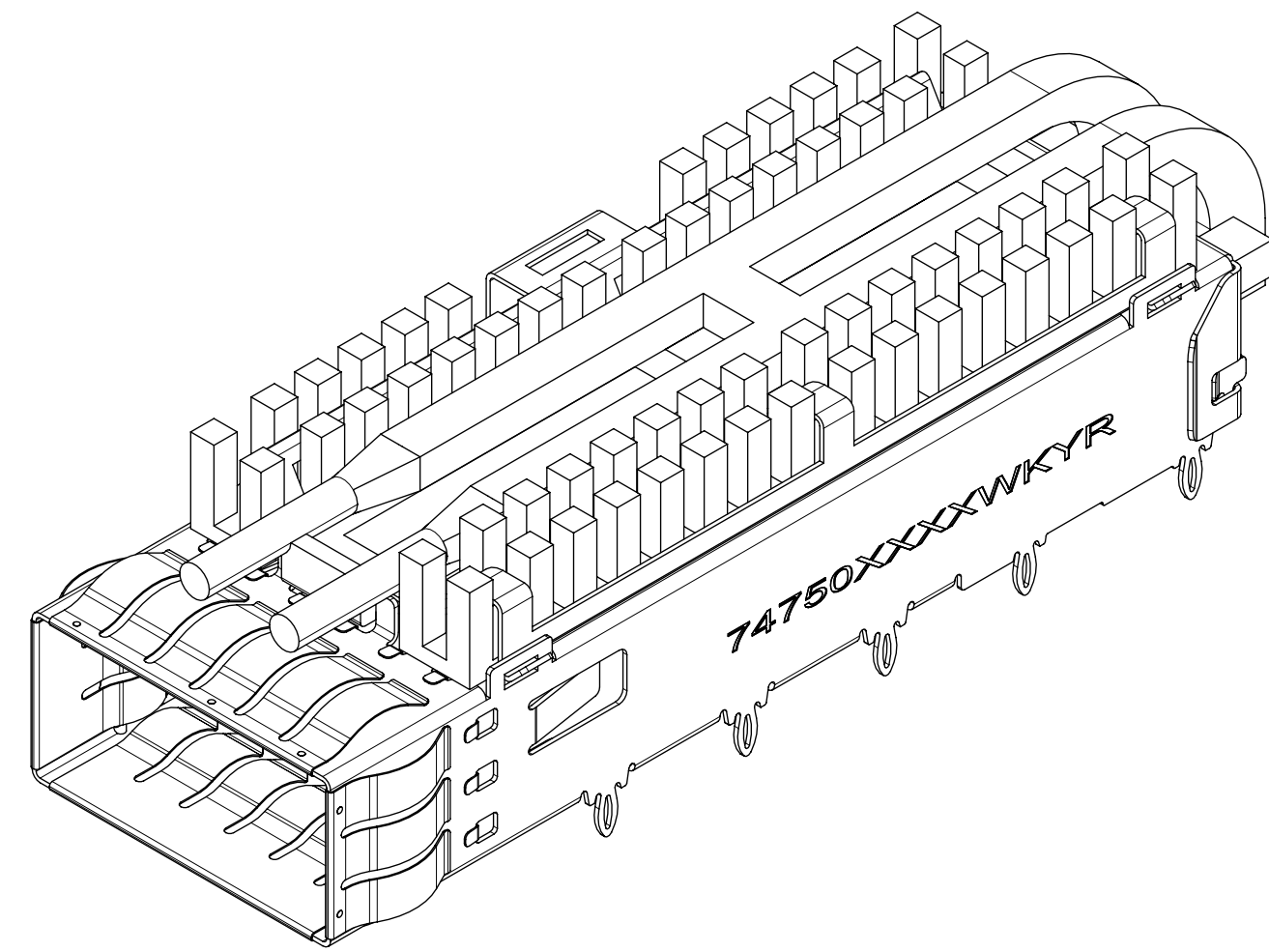
PART NUMBER SELECTION (CONT)



| MOLEX P/N | HS | # OF REAR LEGS PER PORT | LEG TYPE | DIM "A" | PLATING |
|-----------|-----|-------------------------|-------------|---------|---------|
| 747503057 | PCI | 2 | SOLDER POST | 2.90 | NICKEL |



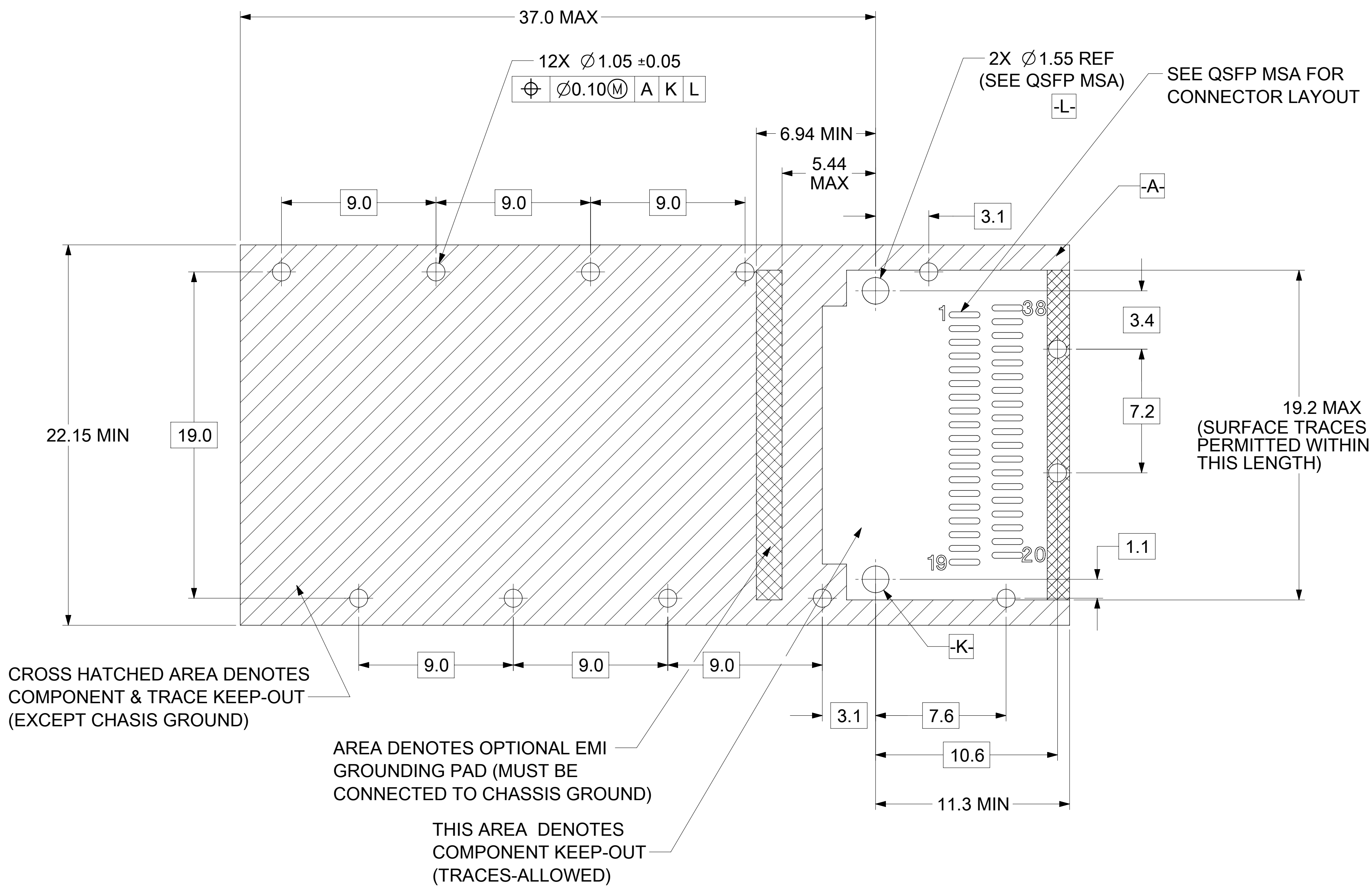
| MOLEX P/N | MOLEX CAGE W/O HS ASSEMBLY P/N | LIGHT PIPE ASSEMBLY P/N | TIP STYLE | # OF REAR LEGS PER PORT | LEG TYPE | DIM "A" | DIM "B" | PLATING |
|-----------|--------------------------------|-------------------------|-----------|-------------------------|---------------|---------|---------|---------|
| 747503586 | 747503024 | 747500031 | ROUND | 2 | PRESS FIT-EON | 2.28 | 60.25 | NICKEL |



| MOLEX P/N | MOLEX CAGE W/O HS ASSEMBLY P/N | LP SINGLE(747500403) DUAL(747500404) | TIP STYLE | HS | # OF REAR LEGS PER PORT | LEG TYPE | DIM "A" | DIM "B" | PLATING |
|-----------|--------------------------------|--------------------------------------|-----------|-----|-------------------------|---------------|---------|---------|---------|
| 747503082 | 747500092 | DUAL | ROUND | SAN | 2 | PRESS FIT-EON | 2.28 | 60.25 | NICKEL |
| 747503083 | 747500092 | DUAL | ROUND | NET | 2 | PRESS FIT-EON | 2.28 | 60.25 | NICKEL |
| 747503088 | N/A | DUAL | ROUND | NET | 2 | PRESS FIT-TD | 2.28 | 60.25 | NICKEL |

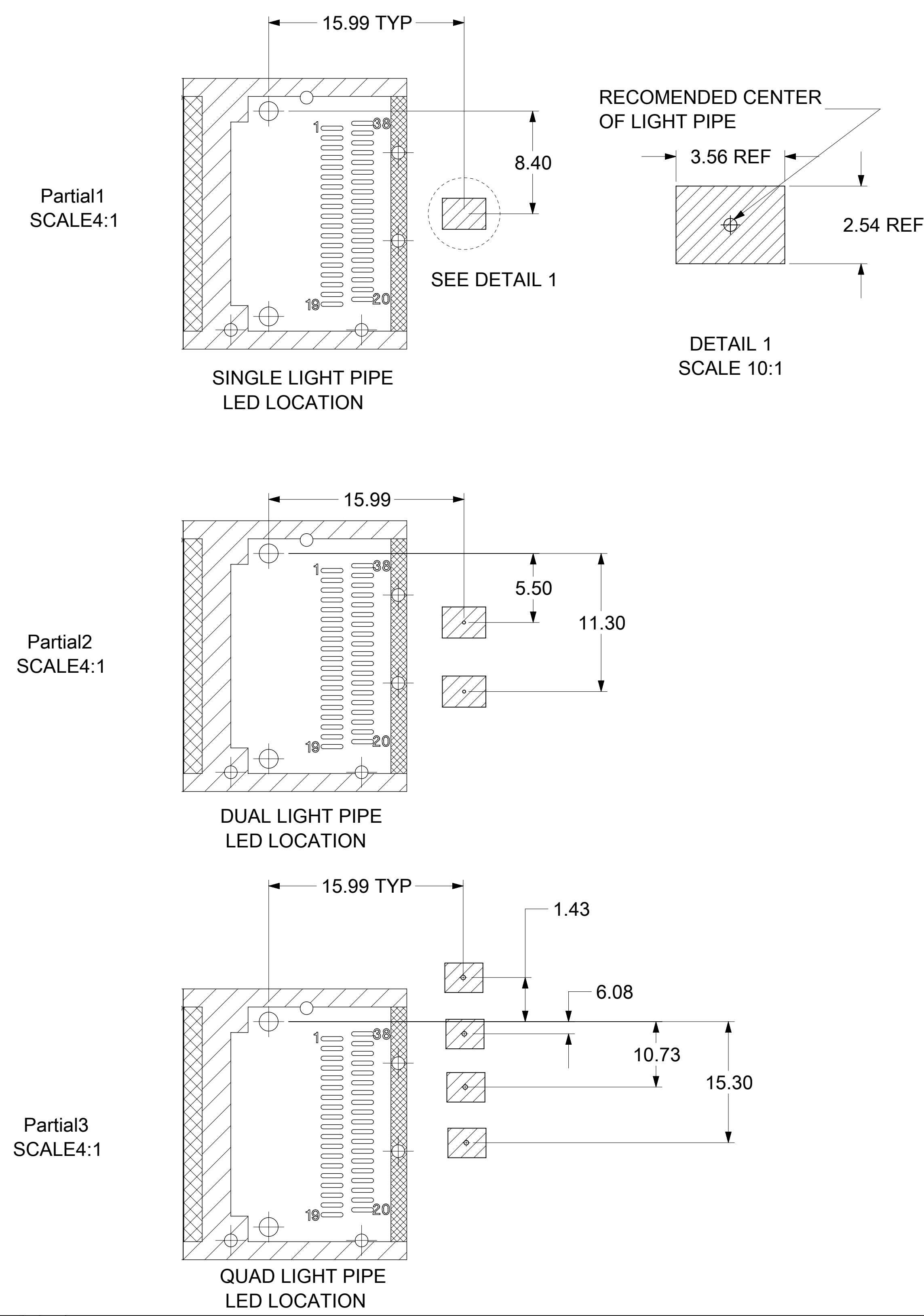
| | | | | | | | |
|--|---|--|----------------------------------|-----------------|--|----------------|----------|
| FUNCTIONAL SYMBOLS $\nabla_A = 0$ $\nabla_C = 0$ $\nabla_D = 0$ DIVISIONAL SYMBOLS | THIS DRAWING CONTAINS INFORMATION THAT IS PROPRIETARY TO MOLEX ELECTRONIC TECHNOLOGIES, LLC AND SHOULD NOT BE USED WITHOUT WRITTEN PERMISSION | | CURRENT REV DESC: SEE REV TABLE. | | <p>QSFP+ 1X1 CAGE ASSEMBLY WITH SUS TAB TYPE SPRING FINGER</p> <p>PRODUCT CUSTOMER DRAWING</p> | | |
| | DIMENSION UNITS | SCALE | EC NO: 723392 | | | | |
| | mm | 3:1 | DRWN: VISHNM2 2022/09/27 | | | | |
| | GENERAL TOLERANCES (UNLESS SPECIFIED) | | CHK'D: DKUMARG 2022/10/03 | | | | |
| ANGULAR TOL $\pm 1.0^\circ$ | | APPR: SCHIEN 2022/10/12 | | DOCUMENT NUMBER | DOC TYPE | DOC PART | REVISION |
| 4 PLACES \pm | | INITIAL REVISION: | | 747503021 | PSD | ASY | B |
| 3 PLACES \pm | | DRWN: CHETHH2 2022/02/17 | | SEE P/N TABLE | | GENERAL MARKET | |
| 2 PLACES ± 0.13 | | APPR: JCHIANG 2022/03/28 | | MATERIAL NUMBER | | CUSTOMER | |
| 1 PLACE ± 0.25 | | DRAFT WHERE APPLICABLE MUST REMAIN WITHIN DIMENSIONS | | D-SIZE | | 74750 | |
| 0 PLACES \pm | | THIRD ANGLE PROJECTION | | SERIES | | 6 OF 11 | |

PCB LAYOUT FOR SINGLE SIDED MOUNTING



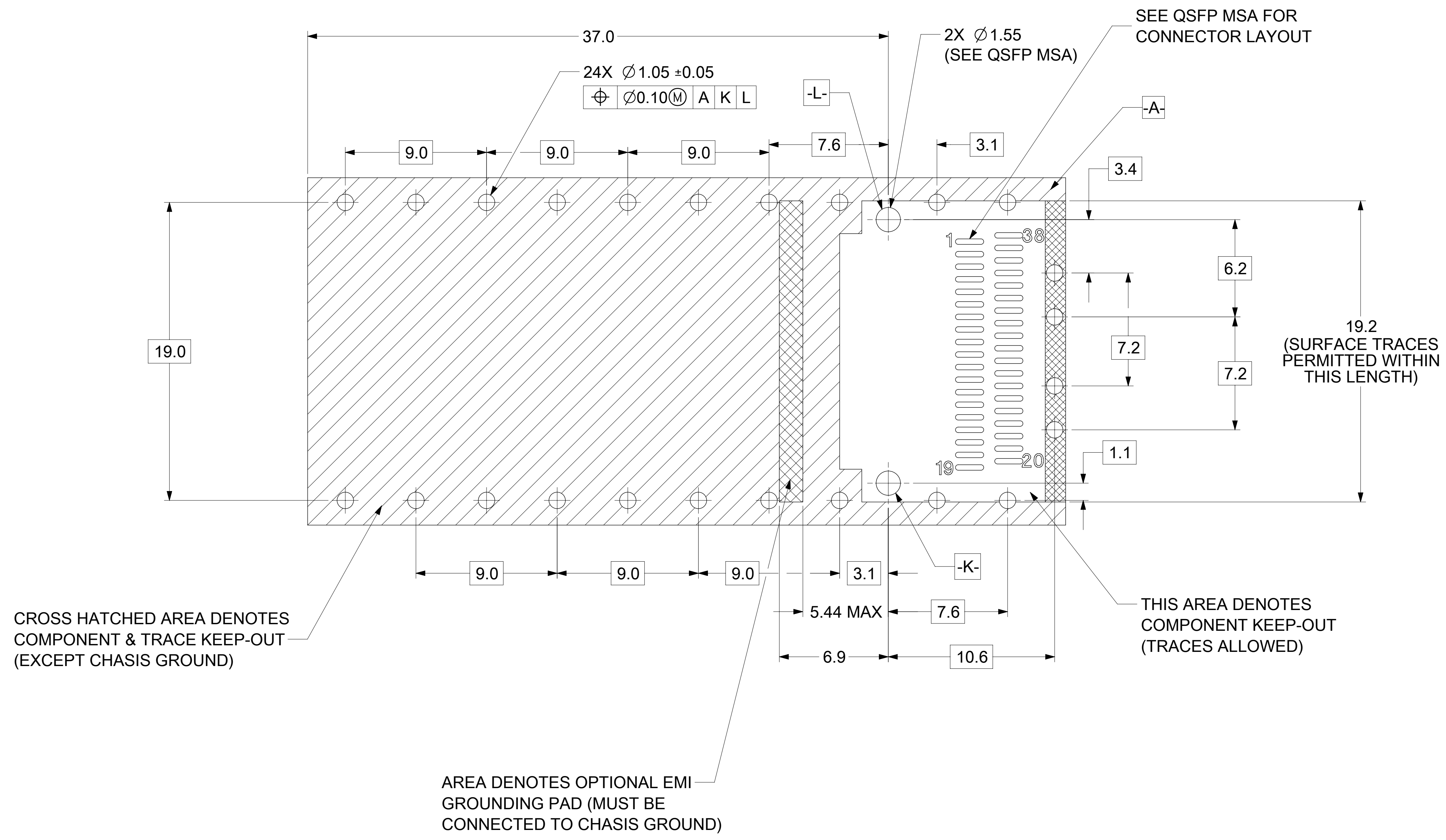
- NOTES:**
- DATUM -A- IS TOP SURFACE OF HOST BOARD PER MSA
 - FINISHED HOLE SIZE (AFTER PLATING)
 - DATUM -K- IS HOST BOARD THRU HOLE #1 TO ACCEPT CONNECTOR GUIDE POST PER MSA
 - DATUM -L- IS HOST BOARD THRU HOLE #2 TO ACCEPT CONNECTOR GUIDE POST PER MSA
 - SINGLE SIDED BOARD THICKNESS
MINIMUM: 1.57 [0.061"] FOR 3.05MM & 2.90MM LEGS.
MINIMUM: 1.44 [0.057"] FOR 2.28MM & 1.90MM LEGS.
 - LED SHOULD BE PLACED RELATIVE TO THE QSFP CONNECTOR POST HOLES.

HOST CONNECTOR DETAIL



| | | | | | | | | | | | | | | | | | | | |
|--------------------|--|--|--|------------------------|--|----------------------------------|--|--------------|--|---|--|-----------------|--|---------------|--|----------------|--|----------------------|--|
| FUNCTIONAL SYMBOLS | | | | | | | | | | THIS DRAWING CONTAINS INFORMATION THAT IS PROPRIETARY TO MOLEX ELECTRONIC TECHNOLOGIES, LLC AND SHOULD NOT BE USED WITHOUT WRITTEN PERMISSION | | | | | | | | | |
| FA = 0 | | mm | | SCALE 6:1 | | CURRENT REV DESC: SEE REV TABLE. | | | | | | | | | | | | | |
| FC = 0 | | GENERAL TOLERANCES (UNLESS SPECIFIED) | | | | | | | | EC NO: 723392 | | 2022/09/27 | | | | | | | |
| FD = 0 | | ANGULAR TOL ± 1.0° | | 4 PLACES ± | | DRWN: VISHNM2 | | 2022/10/03 | | | | | | | | | | | |
| DIVISIONAL SYMBOLS | | 3 PLACES ± | | 2 PLACES ± 0.13 | | APPR: SCHIEN | | 2022/10/12 | | PRODUCT CUSTOMER DRAWING | | DOCUMENT NUMBER | | DOC TYPE | | DOC PART | | REVISION | |
| | | 1 PLACE ± 0.25 | | 0 PLACES ± | | INITIAL REVISION: | | 2022/02/17 | | 747503021 | | PSD | | ASY | | B | | | |
| | | DRAFT WHERE APPLICABLE MUST REMAIN WITHIN DIMENSIONS | | THIRD ANGLE PROJECTION | | DRAWING D-SIZE | | SERIES 74750 | | MATERIAL NUMBER | | CUSTOMER | | SEE P/N TABLE | | GENERAL MARKET | | SHEET NUMBER 7 OF 11 | |

PCB LAYOUT FOR BELLY TO BELLY MOUNTING



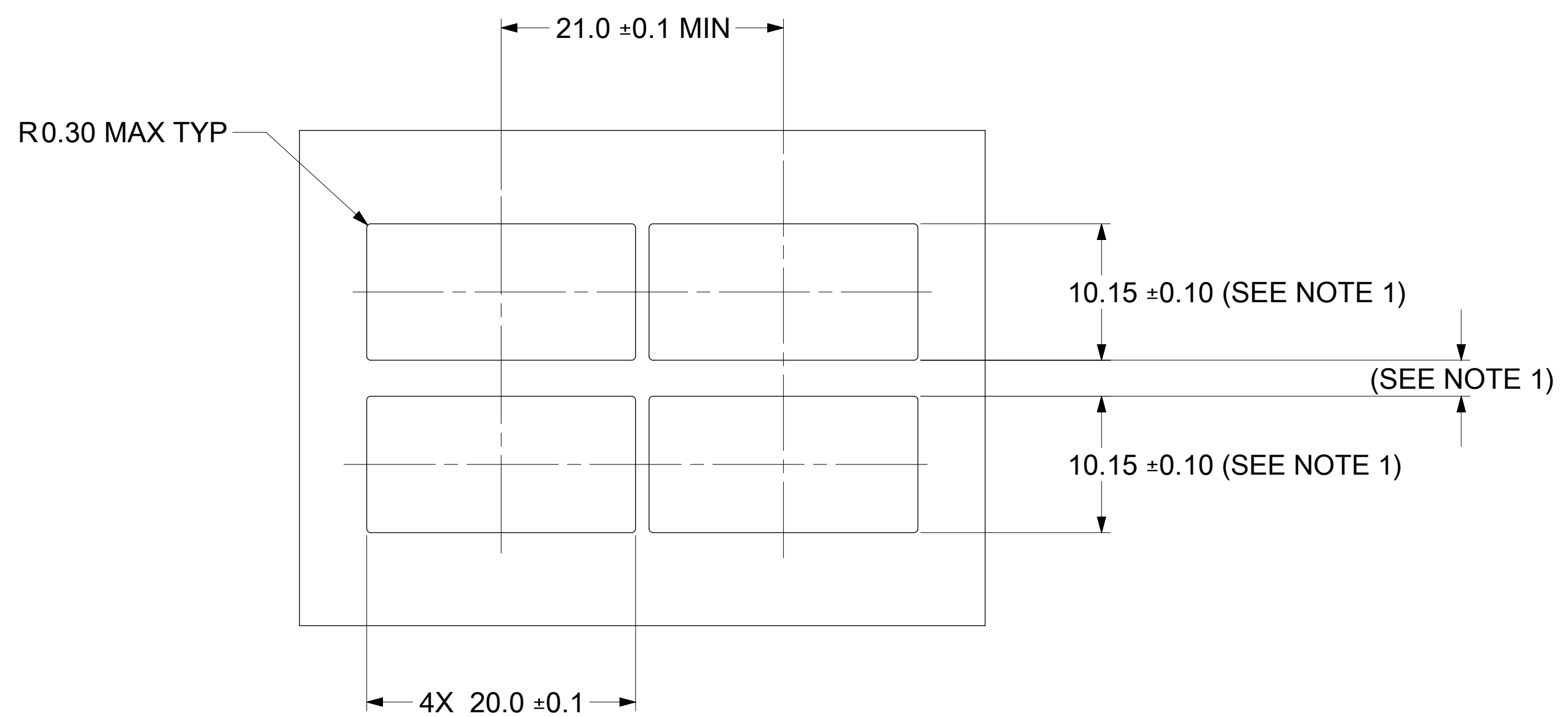
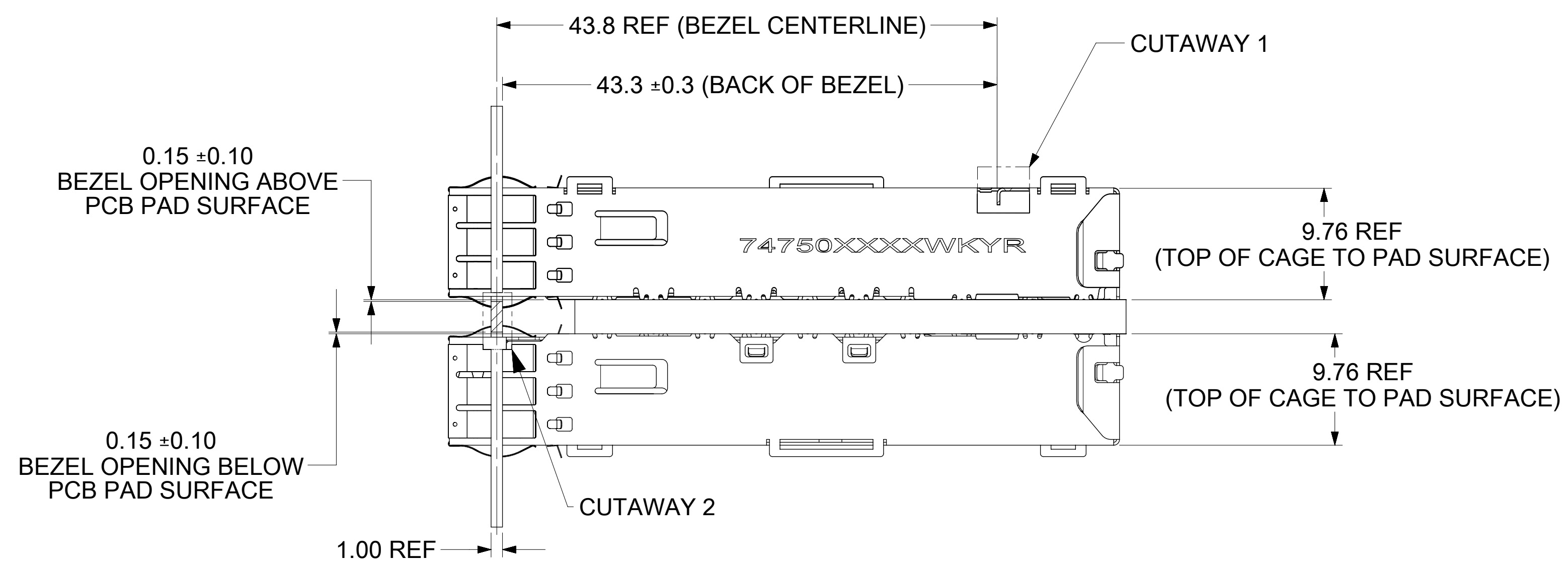
NOTE:
SEE PREVIOUS SHEET FOR
HOST CONNECTOR DETAIL
AND LED LOCATION DETAILS

NOTES:

- DATUM -A- IS TOP SURFACE OF HOST BOARD PER MSA.
- FINISHED HOLE SIZE (AFTER PLATING).
- DATUM -K- IS HOST BOARD THRU HOLE #1 TO ACCEPT CONNECTOR GUIDE POST PER MSA.
- DATUM -L- IS HOST BOARD THRU HOLE #2 TO ACCEPT CONNECTOR GUIDE POST PER MSA.
- BELLY TO BELLY BOARD THICKNESS:
MINIMUM: 3.00 [0.118"] FOR 3.05MM LEGS.
MINIMUM: 2.07 [0.081"] FOR 2.28MM LEGS.
1.90MM AND 2.90MM SOLDER POST LEGS CANNOT BE MOUNTED BELLY TO BELLY

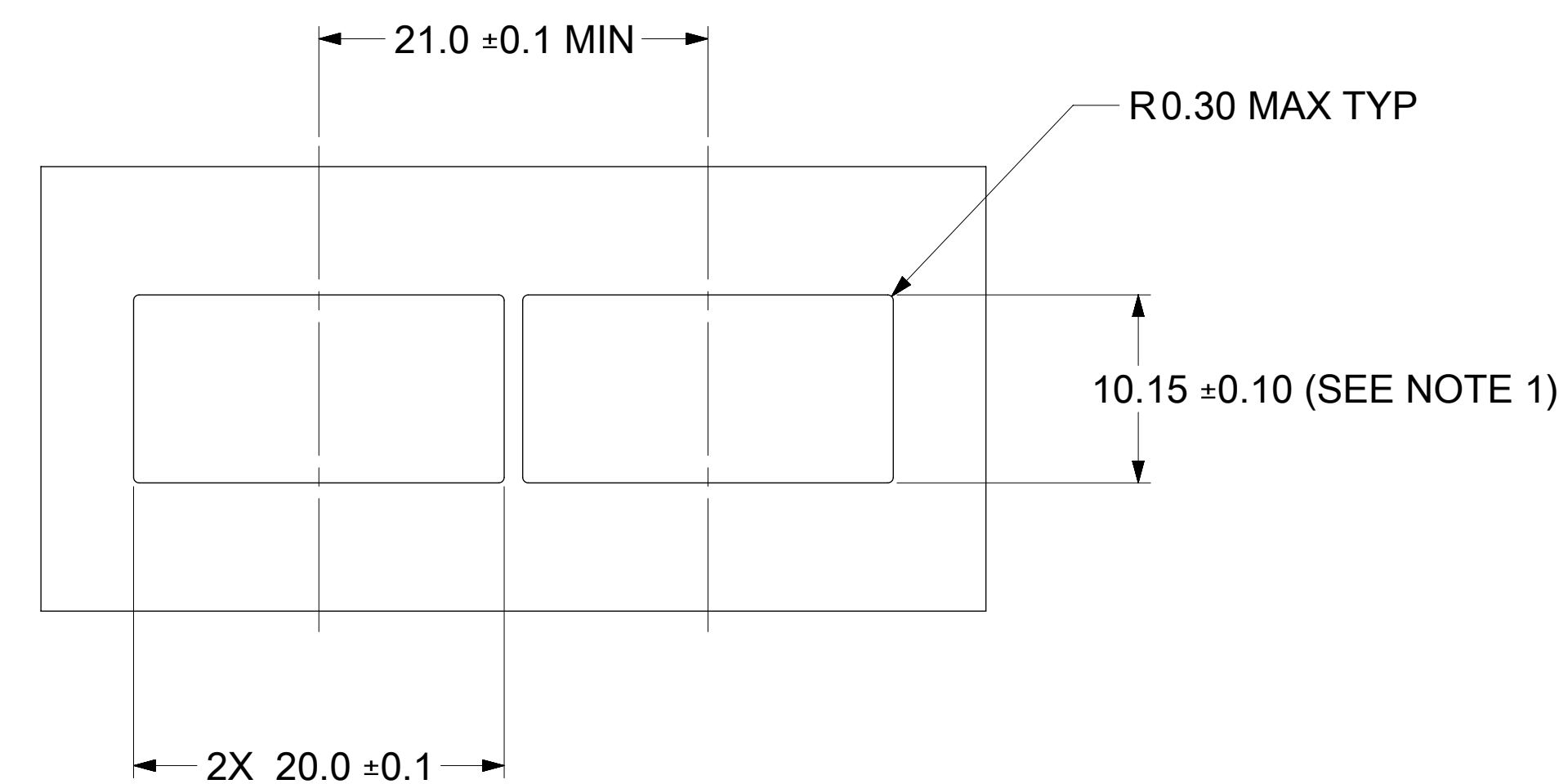
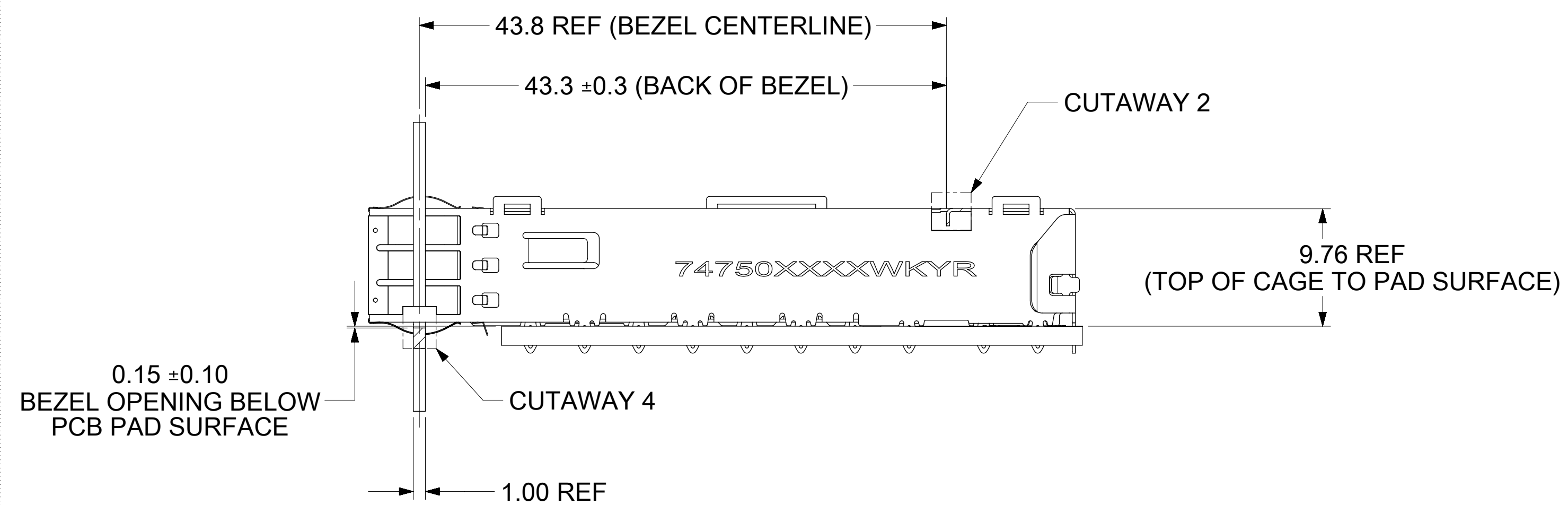
| | | | | | | | |
|--|--------------------|---|----------|---------------------------------------|----------|---------------------|---|
| FUNCTIONAL SYMBOLS | | THIS DRAWING CONTAINS INFORMATION THAT IS PROPRIETARY TO MOLEX ELECTRONIC TECHNOLOGIES, LLC AND SHOULD NOT BE USED WITHOUT WRITTEN PERMISSION | | CURRENT REV DESC: SEE REV TABLE. | | | |
| $F_A = 0$ | mm | SCALE | 6:1 | GENERAL TOLERANCES (UNLESS SPECIFIED) | | | |
| $F_C = 0$ | ANGULAR TOL | | ± | 1.0° | 4 PLACES | | ± |
| $F_P = 0$ | DIVISIONAL SYMBOLS | | 3 PLACES | | ± | 2 PLACES | |
| DRAFT WHERE APPLICABLE MUST REMAIN WITHIN DIMENSIONS | | THIRD ANGLE PROJECTION | | DRAWING | | SERIES | |
| D-DRAWING | | D-SIZE | | 74750 | | MATERIAL NUMBER | |
| P1 | | RELEASE DATE | | 2022/10/12 10:55:32 | | CUSTOMER | |
| DOCUMENT STATUS | | P1 | | RELEASE DATE | | 2022/10/12 10:55:32 | |
| 747503021 | | PSD ASY B | | 8 OF 11 | | GENERAL MARKET | |

BOARD POSITION AND BEZEL DIMENSIONS FOR BELLY TO BELLY MOUNTING



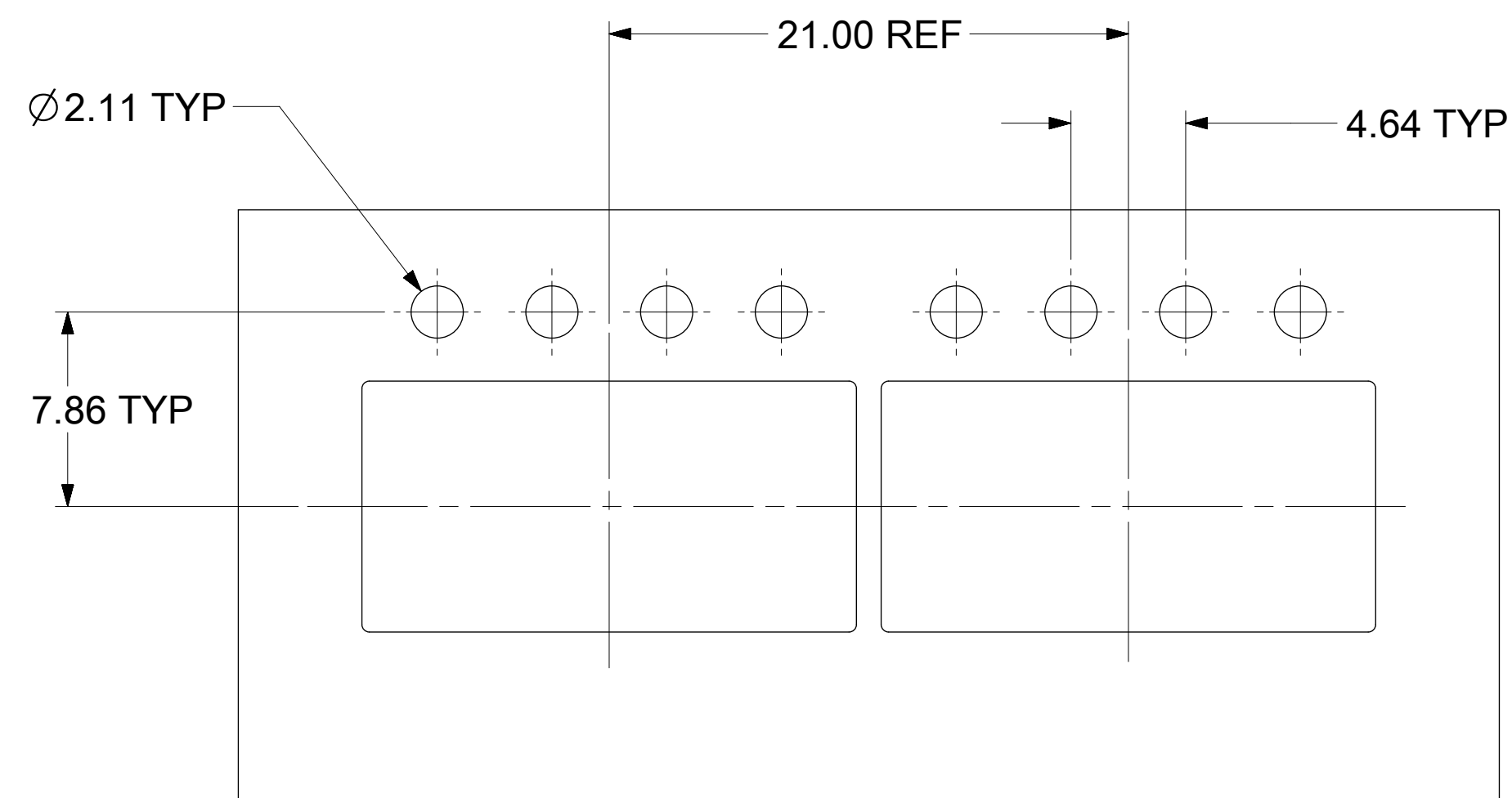
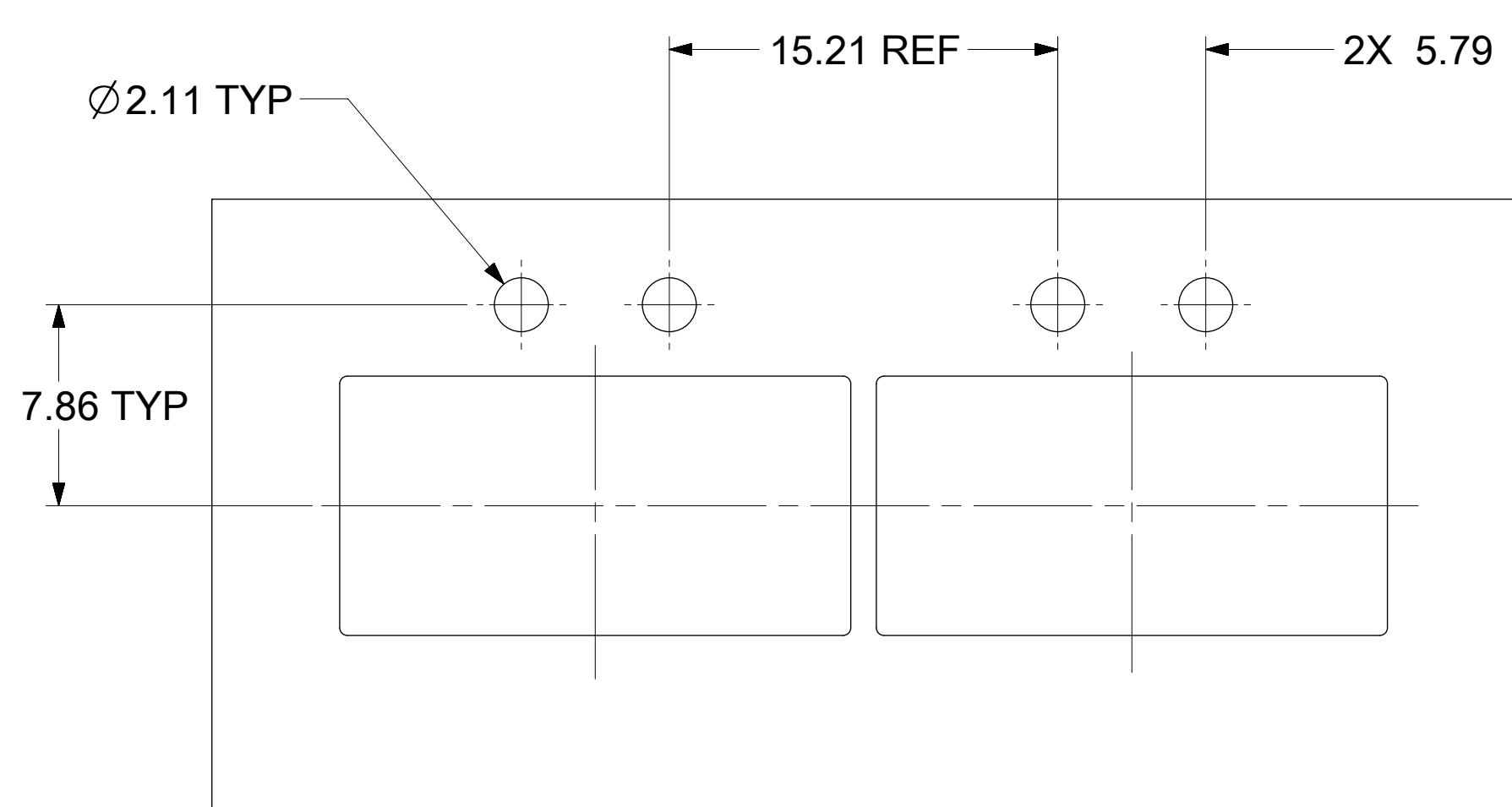
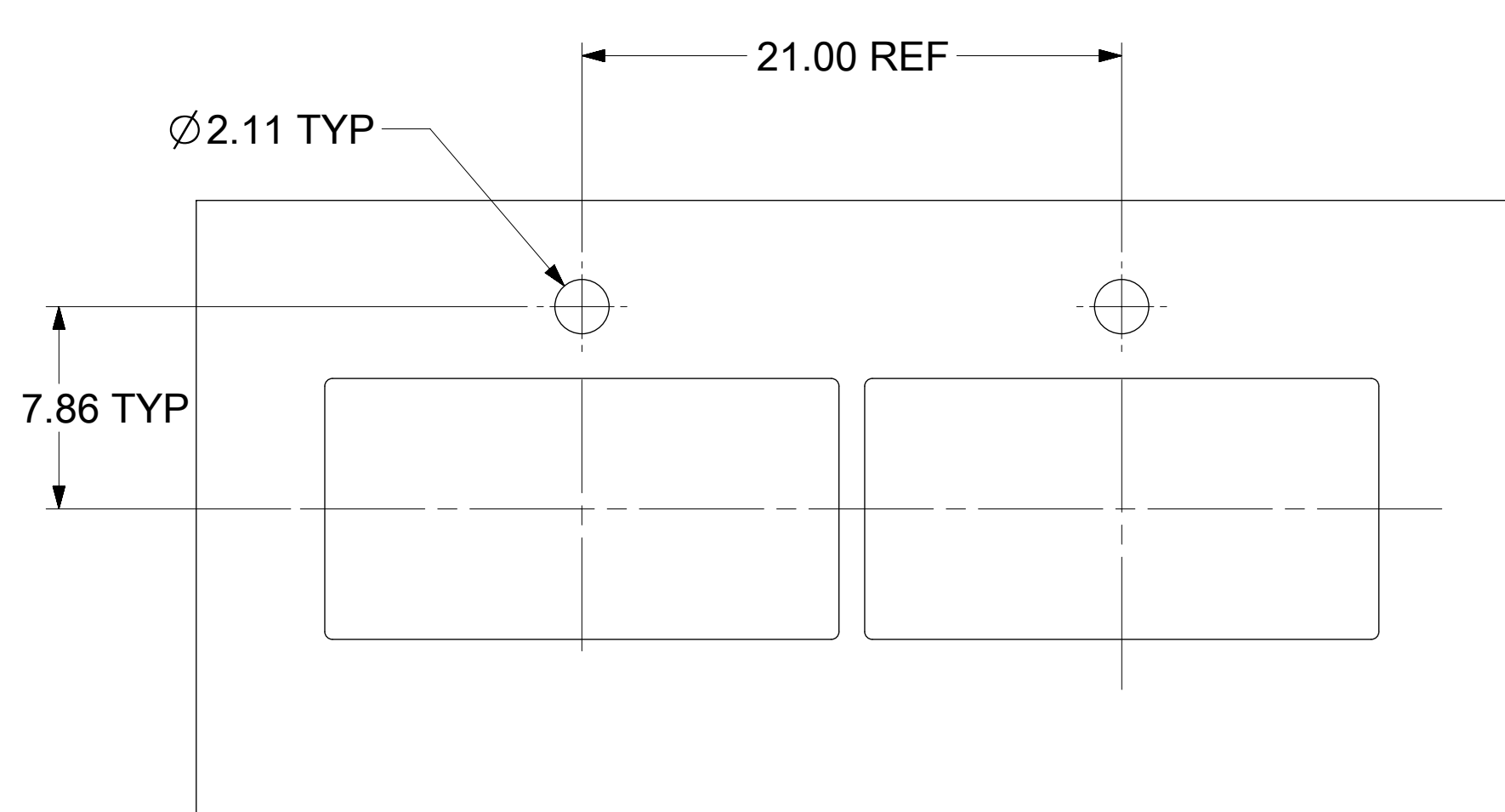
NOTE:
 1. PCB THICKNESS VARIATION MUST BE CONSIDERED WHEN DETERMINING BEZEL OPENING, SIZE, AND LOCATION.
 2. SEE QSFP MSA SPECIFICATION FOR BEZEL LOCATION TOLERANCE.

BOARD POSITION AND BEZEL DIMENSIONS FOR SINGLE SIDE MOUNTING



| | | | | | | |
|---|---|---|--|------------------------------|-------------------------|-----------------|
| FUNCTIONAL SYMBOLS $F_A = 0$ $F_C = 0$ $F_P = 0$ | THIS DRAWING CONTAINS INFORMATION THAT IS PROPRIETARY TO MOLEX ELECTRONIC TECHNOLOGIES, LLC AND SHOULD NOT BE USED WITHOUT WRITTEN PERMISSION | | CURRENT REV DESC: SEE REV TABLE. | | | |
| | DIMENSION UNITS mm | SCALE 3:1 | GENERAL TOLERANCES (UNLESS SPECIFIED) ANGULAR TOL $\pm 1.0^\circ$ | | | |
| DIVISIONAL SYMBOLS | 4 PLACES \pm | INITIAL REVISION: DRWN: CHETHH2 2022/02/17 APPR: JCHIANG 2022/03/28 | | DOCUMENT NUMBER 747503021 | DOC TYPE PSD | DOC PART ASY |
| | 3 PLACES \pm 2 PLACES ± 0.13 1 PLACE ± 0.25 0 PLACES \pm | DRAFT WHERE APPLICABLE MUST REMAIN WITHIN DIMENSIONS | | THIRD ANGLE PROJECTION | DRAWING D-SIZE | SERIES 74750 |
| DOCUMENT STATUS P1 RELEASE DATE 2022/10/12 10:55:32 | | | SHEET NUMBER 9 OF 11 | | SHEET NUMBER 9 OF 11 | |

LIGHT PIPE CUTOUT DIMENSIONS



| | | | |
|--|---|------------------------|--|
| FUNCTIONAL SYMBOLS | THIS DRAWING CONTAINS INFORMATION THAT IS PROPRIETARY TO MOLEX ELECTRONIC TECHNOLOGIES, LLC AND SHOULD NOT BE USED WITHOUT WRITTEN PERMISSION | | |
| | DIMENSION UNITS | SCALE | CURRENT REV DESC: SEE REV TABLE. |
| $\nabla_A = 0$ | mm | 4:1 | EC NO: 723392 DRWN: VISHNM2 2022/09/27 CHK'D: DKUMARG 2022/10/03 APPR: SCHIEN 2022/10/12 INITIAL REVISION: DRWN: CHETHH2 2022/02/17 APPR: JCHIANG 2022/03/28 |
| $\nabla_C = 0$ | GENERAL TOLERANCES (UNLESS SPECIFIED) | | |
| $\nabla_D = 0$ | ANGULAR TOL $\pm 1.0^\circ$ | | |
| DIVISIONAL SYMBOLS | 4 PLACES | \pm | |
| | 3 PLACES | \pm | |
| | 2 PLACES | ± 0.13 | |
| | 1 PLACE | ± 0.25 | |
| | 0 PLACES | \pm | |
| DRAFT WHERE APPLICABLE MUST REMAIN WITHIN DIMENSIONS | | THIRD ANGLE PROJECTION | DRAWING D-SIZE SERIES 74750 MATERIAL NUMBER SEE P/N TABLE CUSTOMER GENERAL MARKET SHEET NUMBER 10 OF 11 |

molex

QSFP+ 1X1 CAGE ASSEMBLY WITH SUS TAB TYPE SPRING FINGER

PRODUCT CUSTOMER DRAWING

| | | | |
|-----------------|----------|----------|----------|
| DOCUMENT NUMBER | DOC TYPE | DOC PART | REVISION |
| 747503021 | PSD | ASY | B |

| REV | DATE | DESCRIPTION |
|-----|------------|--|
| A | 2022/02/17 | 1. INITIAL RELEASE |
| A1 | 2022/06/27 | SHEET 02: C17: CORRECTED THE LEG OPTIONS DETAIL VIEW'S TO HIDE UNWANTED LEGS. SHEET 09: J06 : HIDE UNWANTED LEGS FROM THE VIEW. |
| B | 2022/10/03 | SHEET 06: J17 : ADDED P/N TABLE & ISO VIEW OF P/N 747503057. SHEET 09: H16 : CAGE ASSEMBLY ERROR CORRECTED. |
| | | |
| | | |
| | | |
| | | |

| | | | |
|--------------------|---|----------------------------|---|
| FUNCTIONAL SYMBOLS | THIS DRAWING CONTAINS INFORMATION THAT IS PROPRIETARY TO MOLEX ELECTRONIC TECHNOLOGIES, LLC AND SHOULD NOT BE USED WITHOUT WRITTEN PERMISSION | | |
| | DIMENSION UNITS | SCALE | CURRENT REV DESC: SEE REV TABLE. |
| $\nabla_A = 0$ | mm | 1:1 | EC NO: 723392 DRWN: VISHNM2 2022/09/27 CHK'D: DKUMARG 2022/10/03 APPR: SCHIEN 2022/10/12 |
| $\nabla_C = 0$ | GENERAL TOLERANCES (UNLESS SPECIFIED) | | |
| $\nabla_P = 0$ | ANGULAR TOL \pm 1.0° | | INITIAL REVISION: DRWN: CHETHH2 2022/02/17 APPR: JCHIANG 2022/03/28 |
| DIVISIONAL SYMBOLS | 4 PLACES | \pm | |
| | 3 PLACES | \pm | DOCUMENT NUMBER 747503021 DOC TYPE PSD DOC PART ASY REVISION B |
| | 2 PLACES | \pm 0.13 | |
| | 1 PLACE | \pm 0.25 | MATERIAL NUMBER SEE P/N TABLE CUSTOMER GENERAL MARKET SHEET NUMBER 11 OF 11 |
| | 0 PLACES | \pm | |
| | DRAFT WHERE APPLICABLE MUST REMAIN WITHIN DIMENSIONS | THIRD ANGLE PROJECTION | DRAWING D-SIZE SERIES 74750 |

molex

QSFP+ 1X1 CAGE ASSEMBLY
WITH SUS TAB TYPE SPRING FINGER

PRODUCT CUSTOMER DRAWING

DOCUMENT NUMBER: 747503021
DOC TYPE: PSD
DOC PART: ASY
REVISION: B

MATERIAL NUMBER: SEE P/N TABLE
CUSTOMER: GENERAL MARKET
SHEET NUMBER: 11 OF 11