

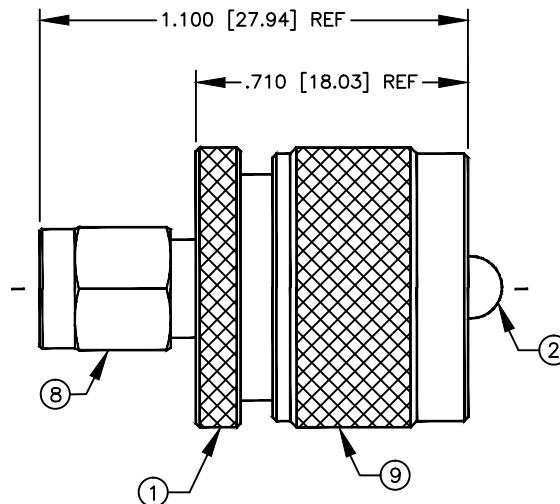
SPECIFICATION CONTROL DRAWING

THIS DRAWING CONTAINS INFORMATION PROPRIETARY TO RF INDUSTRIES, LTD. ANY UNAUTHORIZED USE OF THIS DRAWING IS EXPRESSLY PROHIBITED. ANY VIOLATION IS PUNISHABLE UNDER U.S. COPYRIGHT LAWS.

| REV | DESCRIPTION | DWN | DATE | APPROVED |
|-----|---------------------|-----|----------|----------|
| A | ENGINEERING RELEASE | CZS | 12/23/97 | R. RICE |
| | | | | |
| | | | | |

ALL DIMENSIONS ARE REFERENCE ONLY

008974



SPECIFICATIONS:

IMPEDANCE: 50 OHMS
 WORKING VOLTAGE: 335 VRMS @ SEA LEVEL
 FREQUENCY RANGE: 0-300 MHz

| ITEM | DESCRIPTION | QTY | MATERIAL | FINISH |
|------|----------------|-----|-------------|--------|
| 10 | SHELL | 1 | BRASS | NICKEL |
| 9 | RETAINING RING | 1 | BRASS | NICKEL |
| 8 | SHELL | 1 | BRASS | NICKEL |
| 7 | RETAINING RING | 1 | BeCu | NONE |
| 6 | GASKET | 1 | S.I. RUBBER | RED |
| 5 | DIELECTRIC | 1 | PTFE | NONE |
| 4 | DIELECTRIC | 1 | PTFE | NONE |
| 3 | PIN | 1 | BRASS | GOLD |
| 2 | PIN | 1 | BRASS | GOLD |
| 1 | BODY | 1 | BRASS | NICKEL |

| | |
|--|----------|
| DIMENSIONS ARE IN INCHES AND [MILLIMETERS] | |
| UNLESS OTHERWISE NOTED TOLERANCES ARE: | |
| DECIMALS | DIAMETER |
| DRAWN C. ZUNIGA | 12/23/97 |
| CHECKED | |
| ORJ DRAWN C. ZUNIGA | 12/23/97 |
| APPROVALS | DATE |



7610 MIRAMAR RD
 SAN DIEGO, CA 92126
 (619)549-6340
 (619)549-6345 FAX

RSA-3456

SMA MALE TO UHF MALE ADAPTOR

| | | | |
|------------|--------------------|------------------|--------------|
| SIZE A | CABLE GROUP N/A | DWG NO. 8828 | REV A |
| SCALE: 2:1 | | CAD FILE 13ARC B | SHEET 1 OF 1 |