

Description: 1005 5GNR-n79 Band Pass Filter

PART NUMBER: BPF1005LRPQR4700L

Features:

- Compact size : 1.0x0.5x0.32mm
- RoHS compliant

Applications:

- WWAN
- 5GNR

ELECTRICAL SPECIFICATIONS

DESCRIPTION	Value
Pass Band	4400~5000 MHz
Insertion Loss	1.74 (typ.) 2.5 dB max.
Return Loss	17.5 (typ.) 14 dB (Min.)
Attenuation	42.2dB Typ./ 30dB Min.@ 600~960 MHz 38.5dB Typ./ 33dB Min.@ 1164~1300 MHz 39.9dB Typ./ 30dB Min.@ 1476~1511 MHz 39.6dB Typ./ 30dB Min.@ 1559~1610 MHz 39.9dB Typ./ 30dB Min.@ 1805~2200 MHz 51.4dB Typ./ 37dB Min.@ 2300~2690 MHz 35.2dB Typ./ 25dB Min.@ 3055~3490 MHz 29.6dB Typ./ 15dB Min.@ 3490~3600 MHz -dB Typ./ 3 dB Min.@ 5490~5670 MHz 3 dB Typ./ 6 dB Min.@ 5670~5875 MHz 13.8dB Typ./ 7 dB Min.@ 5875~6100 MHz 22.5dB Typ./ 15dB Min.@ 6100~6980 MHz 39.1dB Typ./ 25dB Min.@ 8800~10000 MHz 22.4dB Typ./ 15dB Min.@ ref 13200~15000 MHz
Operating Temperature	-40 ~ +85°C

In the effort to improve our products, we reserve the right to make changes judged to be necessary.

CONFIDENTIAL AND PROPRIETARY INFORMATION

This document contains confidential and proprietary information of Pulse Electronics, Inc. (Pulse) and is protected by copyright, trade secret and other state and federal laws. Its receipt or possession does not convey any rights to reproduce, disclose its contents, or to manufacture, use or sell anything it may describe. Reproduction, disclosure or use without specific written authorization of Pulse is strictly forbidden.

For more information:

Pulse Worldwide Headquarters
 15255 Innovation Drive #100
 San Diego, CA 92128
 USA
 Tel:1-858-674-8100

Pulse/Larsen Antennas
 18110 SE 34th St Bldg 2 Suite 250
 Vancouver, WA 98683
 USA
 Tel: 1-360-944-7551

Europe Headquarters
 Pulse GmbH & Do, KG
 Zeppelinstrasse 15
 Herrenberg, Germany
 Tel: 49 7032 7806 0

Pulse (Suzhou) Wireless Products Co, Inc.
 99 Huo Ju Road(#29 Bldg,4th Phase
 Suzhou New District
 Jiangsu Province, Suzhou 215009 PR China
 Tel: 86 512 6807 9998

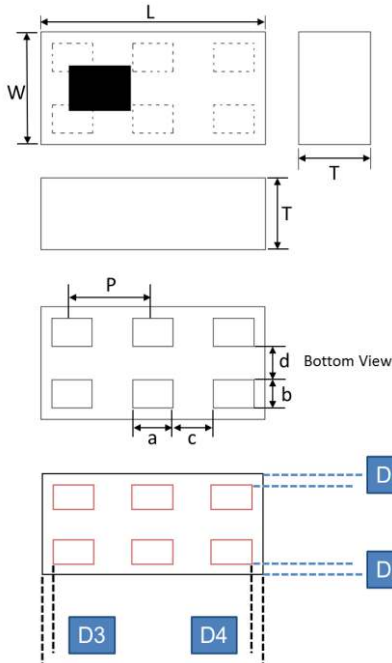


Description: 1005 5G NR-n79 Band Pass Filter

PART NUMBER: BPF1005LRPQR4700L

MECHANICAL DIMENSION

Outline

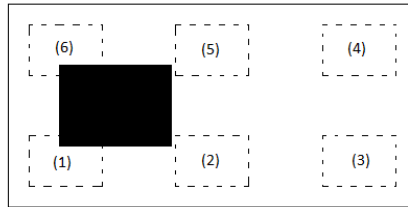


Termination

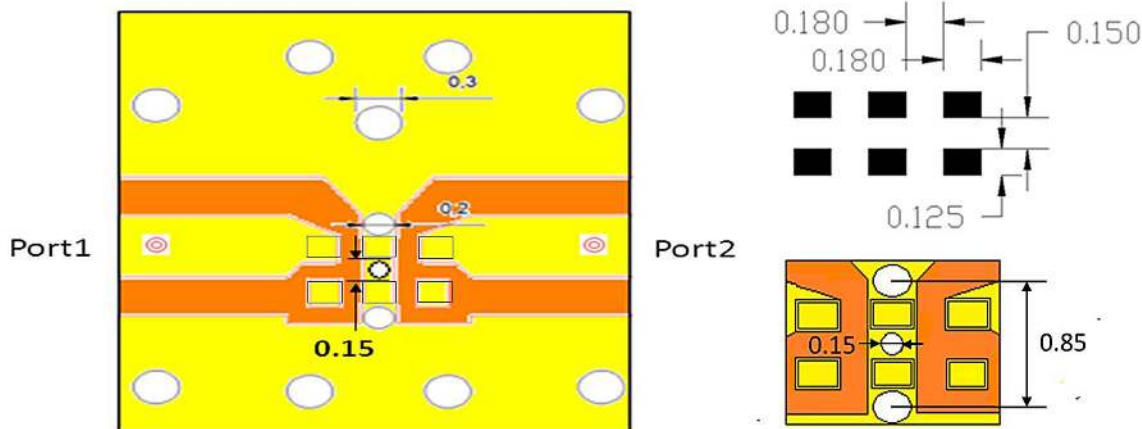
Terminal name	Function
P1	Input
P2	GND
P3	Output
P4	NC
P5	GND
P6	NC

Mechanical

Dimension	Dimension
L (mm)	1.00±0.05
W (mm)	0.50±0.05
T (mm)	0.32(Max.)
a (mm)	0.18±0.05
b (mm)	0.125±0.05
c (mm)	0.18±0.05
d (mm)	0.15±0.05
e (mm)	0.36±0.05
D1-D2	0±0.04
D3-D4	0±0.04



Reference design of EVB



The via can suppress harmonics

Unit : mm

Line width should be designed to match 50Ω characteristic impedance, depending on PCB material and thickness.

In the effort to improve our products, we reserve the right to make changes judged to be necessary.

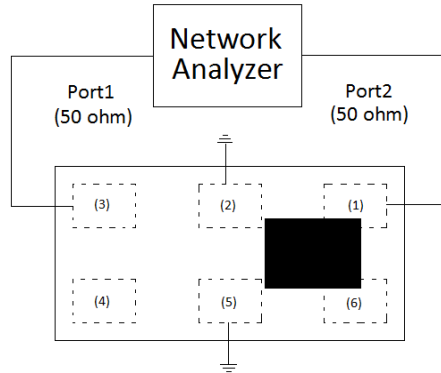
CONFIDENTIAL AND PROPRIETARY INFORMATION

This document contains confidential and proprietary information of Pulse Electronics, Inc. (Pulse) and is protected by copyright, trade secret and other state and federal laws. Its receipt or possession does not convey any rights to reproduce, disclose its contents, or to manufacture, use or sell anything it may describe. Reproduction, disclosure or use without specific written authorization of Pulse is strictly forbidden.

Description: 1005 5GNR-n79 Band Pass Filter

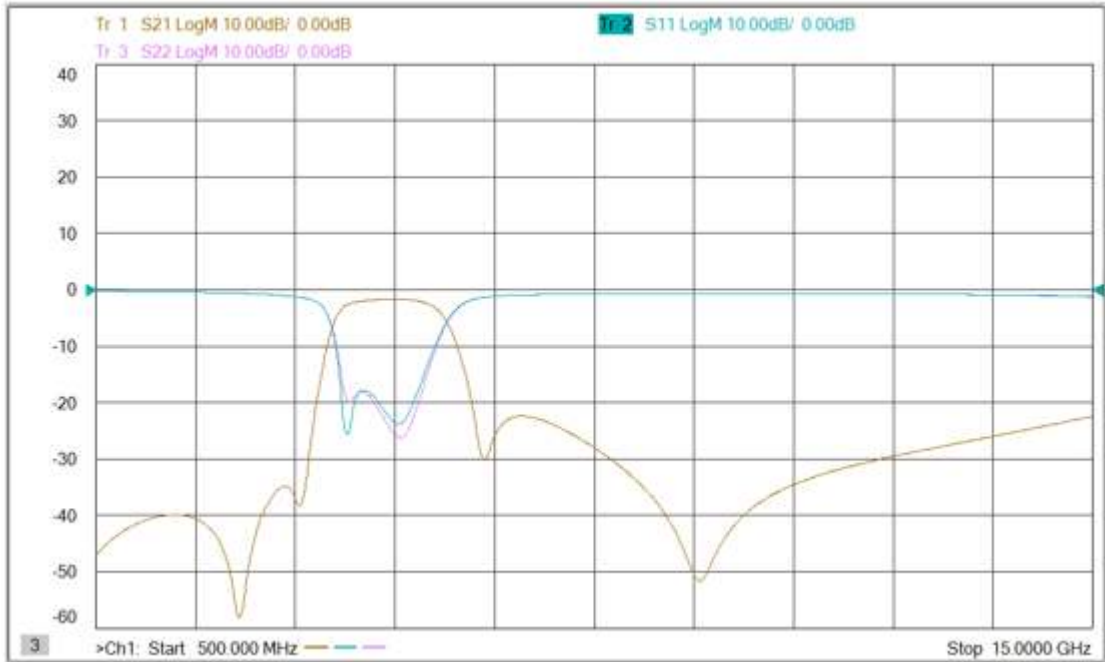
PART NUMBER: BPF1005LRPQR4700L

MEASURING DIAGRAM



Test Instrument :
Agilent E5071A Network
Analyzer.

ELECTRICAL PERFORMANCES



- Measured on Agilent E5071C Network Analyzer

Frequency Characteristics

Description: 1005 5G NR-n79 Band Pass Filter

PART NUMBER: BPF1005LRPQR4700L

REVISION HISTORY

Revision	Date	Description
Version 1	Dec. 29, 2021	- New issue