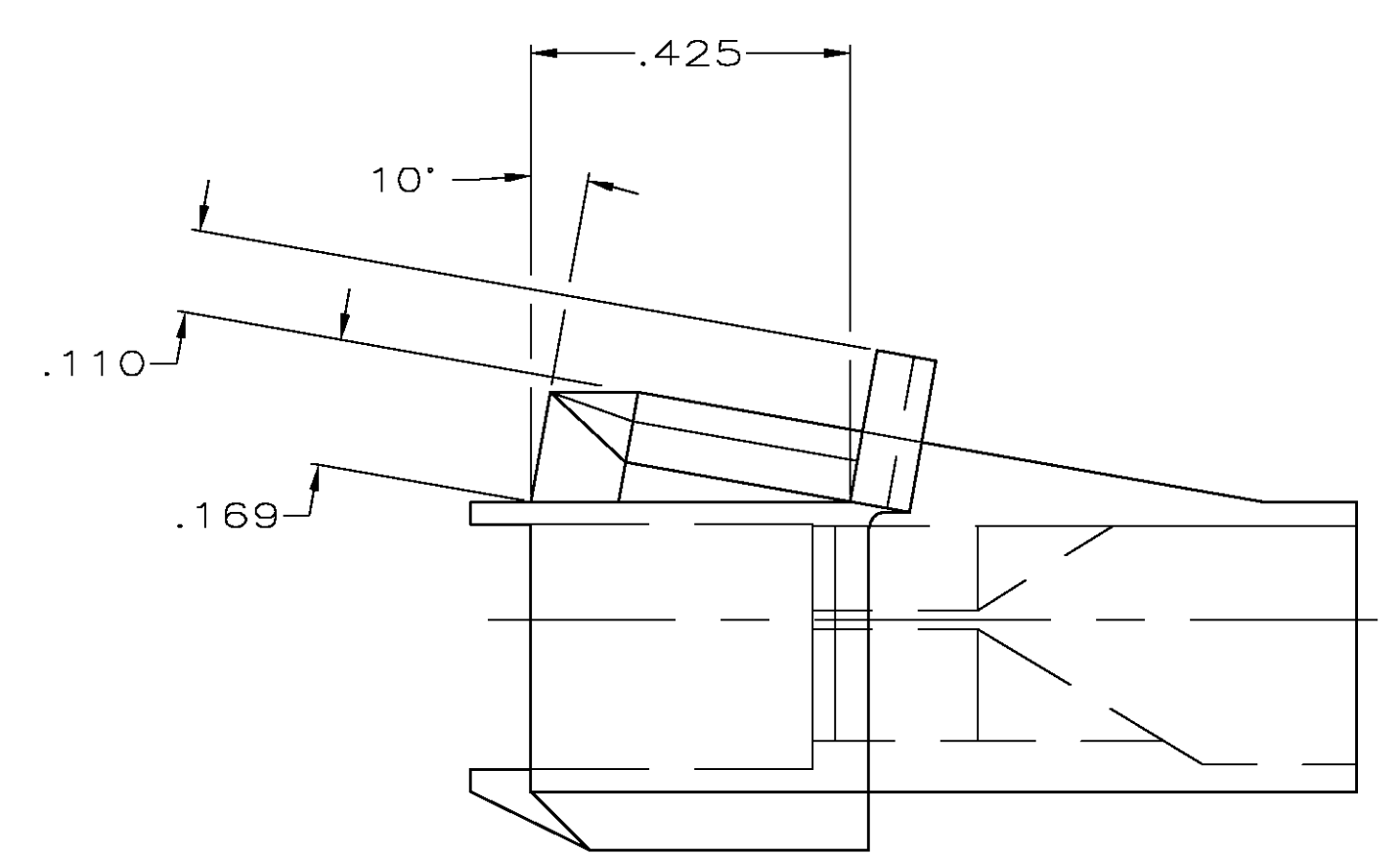
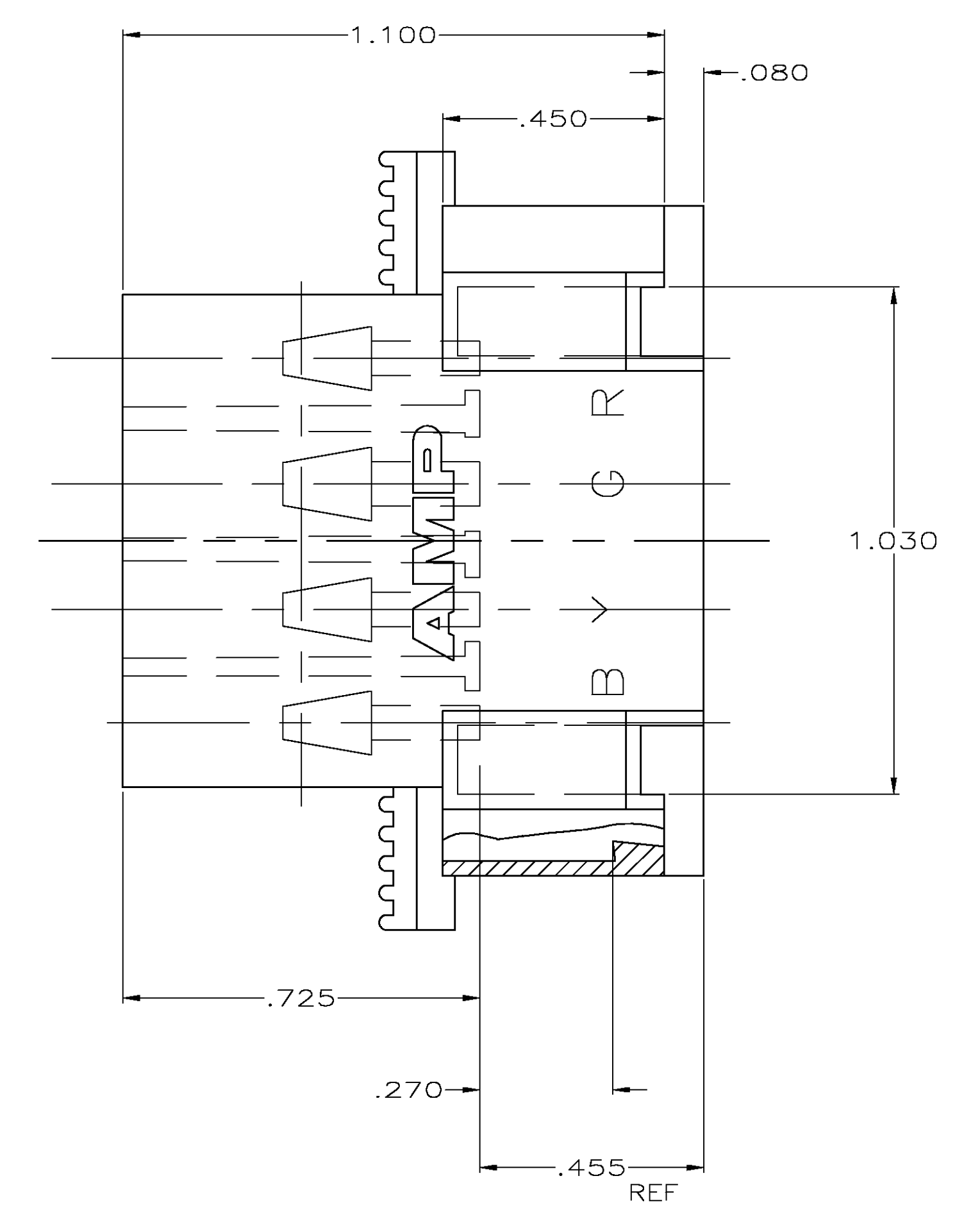
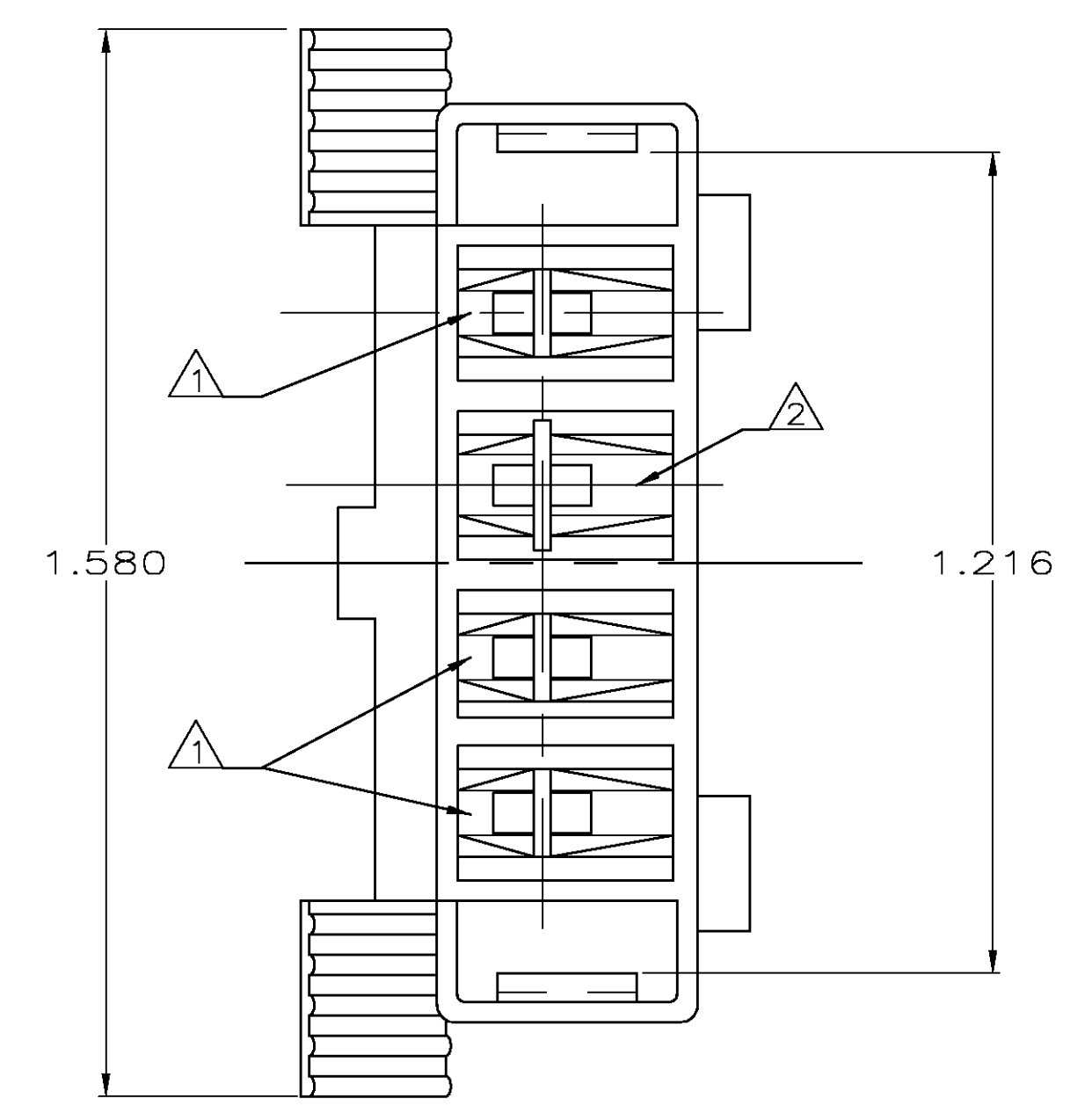
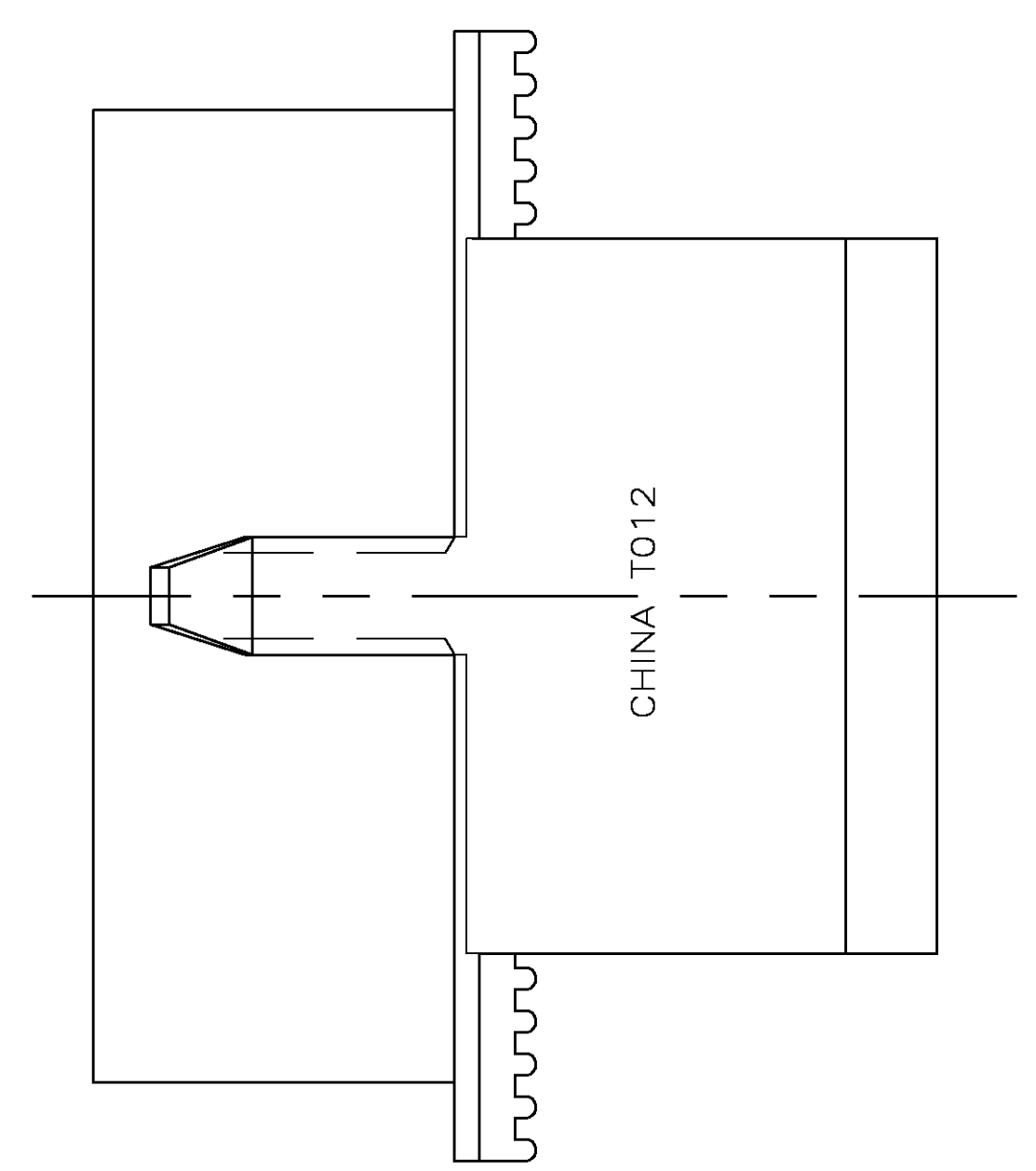
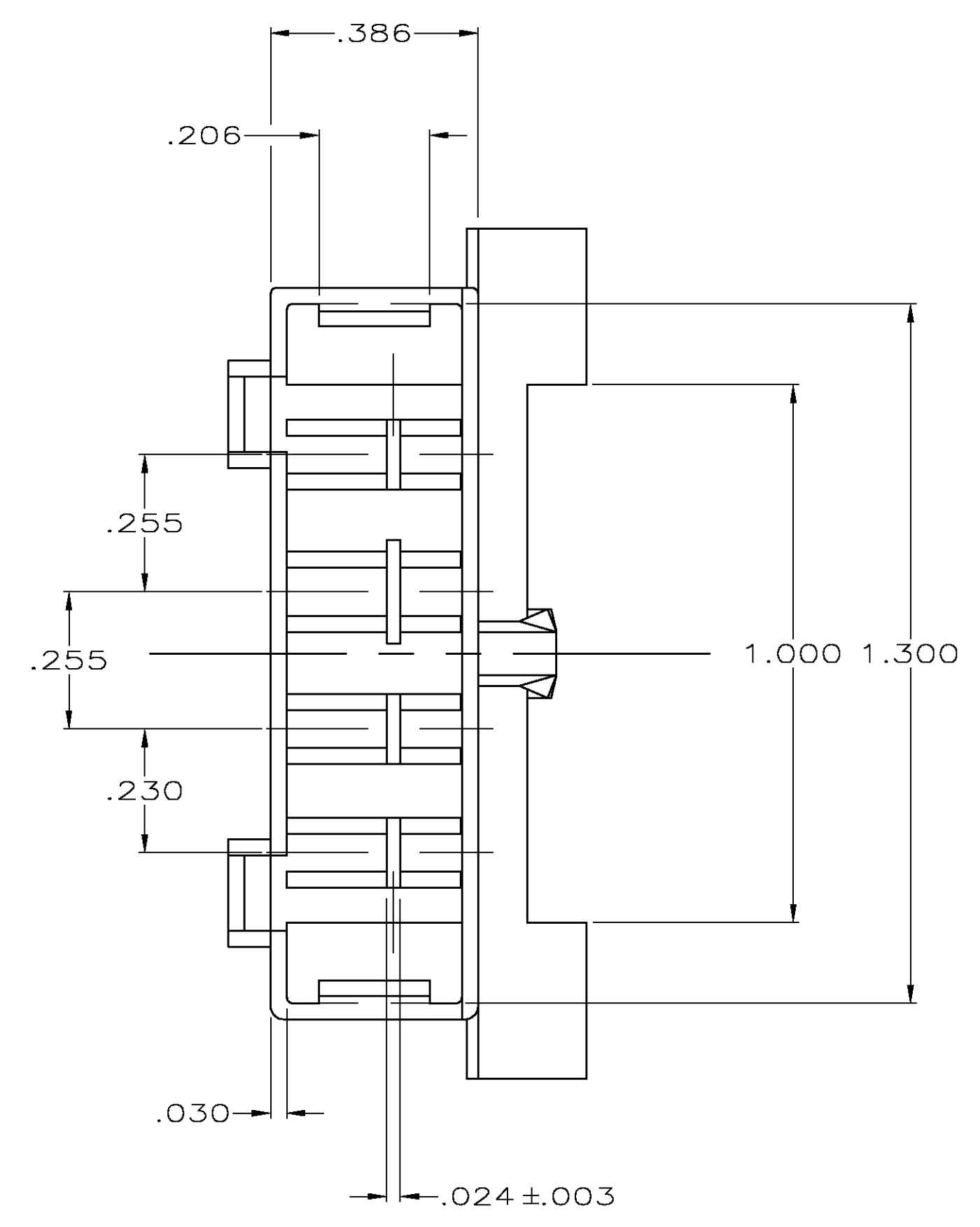
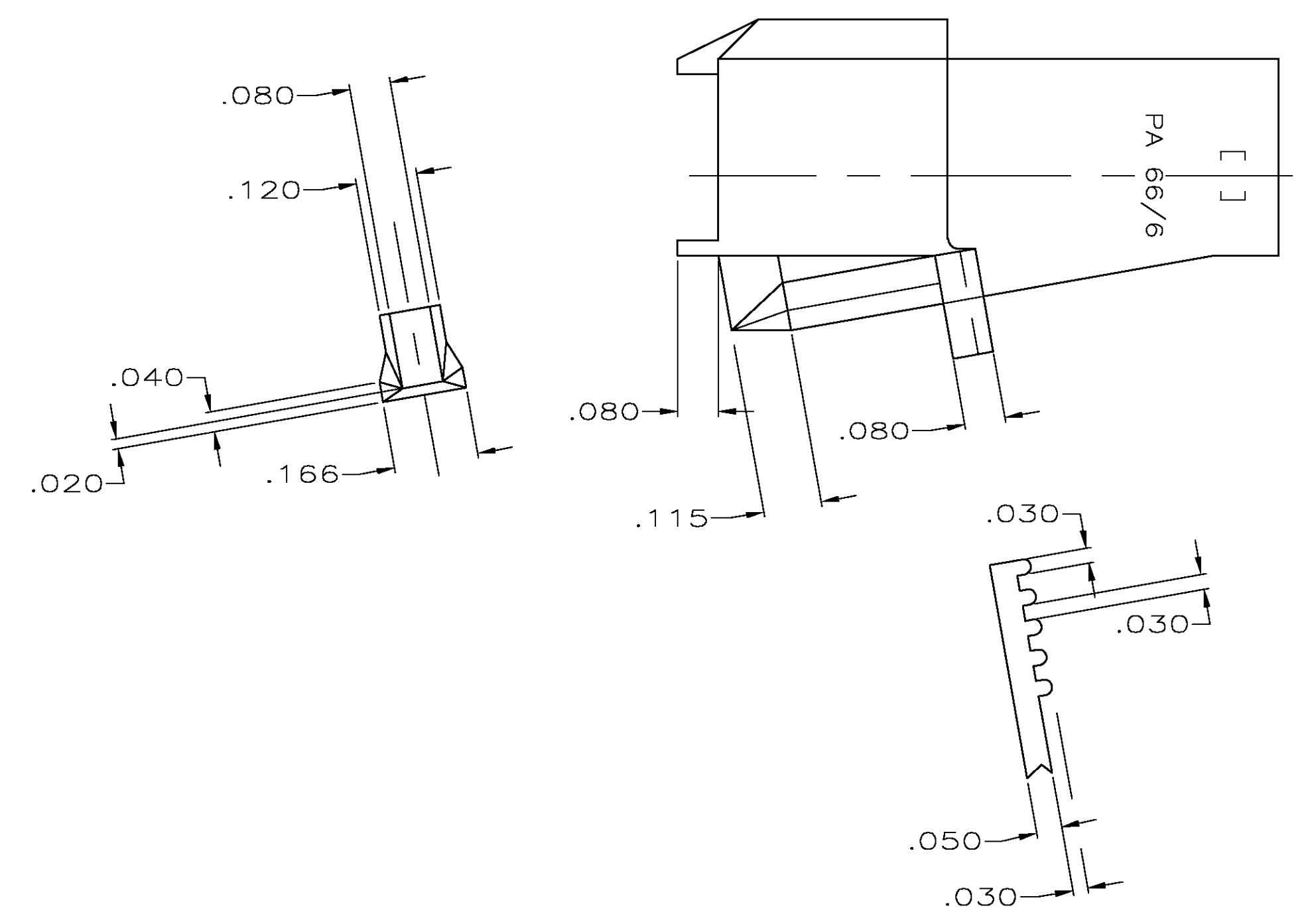


- ① CAVITY ACCEPTS TIMER BLADE PART NUMBER 1217071-1.
- ② CAVITY ACCEPTS TIMER BLADE PART NUMBER 1217716-1.
- 3 PART MATES WITH PLUG HOUSING PART NUMBER 521434-1.
- ④ THIS MATERIAL HAS A '110 C' ELECTRICAL TEMPERATURE INDEX RATING BY U.L. AND A 94V-0 FLAMMABILITY RATING.



521429-1  
PART NUMBER

THIS DRAWING IS A CONTROLLED DOCUMENT.		DMN MICHAEL S. FEHNER 28SEP2001	Tyco Electronics Corporation Harrisburg, Pa 17105-3608
DIMENSIONS: INCHES		CHK DONALD DECKER 28SEP2001	
TOLERANCES UNLESS OTHERWISE SPECIFIED:		APVD DONALD DECKER 28SEP2001	NAME
0 PLC ± -			PRODUCT SPEC
1 PLC ± -			APPLICATION SPEC
2 PLC ± -			SIZE
3 PLC ± .010			CAUSE CODE
4 PLC ± -			DRAWING NO
ANGLES ± -			RESTRICTED TO
MATERIAL 66/6 NYLON	FINISH COLOR : WHITE	WEIGHT	A1 00779 C=521429
		CUSTOMER DRAWING	SCALE 4:1 SHEET 1 OF 1 REV G