

HIT-W101C

10.1" Healthcare/Hospitality Information Terminal



Features

- Freescale iMX6 A9 Quad Core All-in-One computer
- 10.1" 16:10 display with P-Cap multi-touch operation
- 2MP camera for VOIP application
- High quality integrated microphone with Acoustic Echo Cancellation (AEC)
- Supports Power-over-Ethernet (PoE)
- Supports Android operating systems
- Available wall mount kit for various embedded applications
- Equipped with DeviceOn/iService software for remote device management



Introduction

HIT-W101C is an 10.1" all-in-one infotainment terminal for healthcare and iServices. It can also be used to authenticate hospital staff and patients through RFID and Smart Card Reader modules. HIT-W101C is ideal for applications within hospitals, such as nurse calls or bedside information terminals.

Moreover, HIT-W101C is equipped with Advantech's DeviceOn/iService software, which is a next-generation unified device management solution based on the WISE-DeviceOn platform. With support for batch operations and multi-device control, DeviceOn/iService enables easy device configuration and deployment for convenient remote device management.

Specifications

Computing System	CPU	Freescale iMX6 A9 QC 1GHz
	Memory	2GB DDR3
Display	Screen Size	10.1" TFT LCD
	Resolution	1280 x 800
	Touch Type	Projective capacitive multi-touch screen
Storage	Internal	8GB eMMC NAND Flash
	External	Micro SD, up to 64GB (Optional)
Audio	ECHO Cancellation	Highly integrated single chip AEC (acoustic echo cancellation) solution
Network	Wifi and Bluetooth	802.11 b/g/n and BT 4.0 or 802.11 ac/b/g/n and BT4.0 (All by Project Request Only)
Interface	Front	1 x 2MP Web Camera. (Optional change to RFID module) 1 x Microphone 2 x Speaker
	Rear	1 x USB 1 x Mini USB 1 x 1 x RJ45 with PoE Support (10/100/1000 Mbps) 1 x Micro SD slot 1 x DC-in Jack 1 x Reset button
Power	AC Adaptor	DC 12V / 2A
Environment	Temperature	Operating: 0 ~ +40 °C Storage: -20 ~ +60 °C
	Humidity	Operating: 10 ~ 95% @ 40 °C non-condensing Storage: 10 ~ 95% @ 40 °C non-condensing
	IP Rating	Front Panel: IP65
Physical Characteristics	Dimensions (W x H x D)	247 x 189 x 22 mm (9.72" x 7.44" x 0.87")
	Weight	740g (1.63 lb)
Operating System		Android 5.1 (Linux by Request)

DeviceOn/iService Specifications

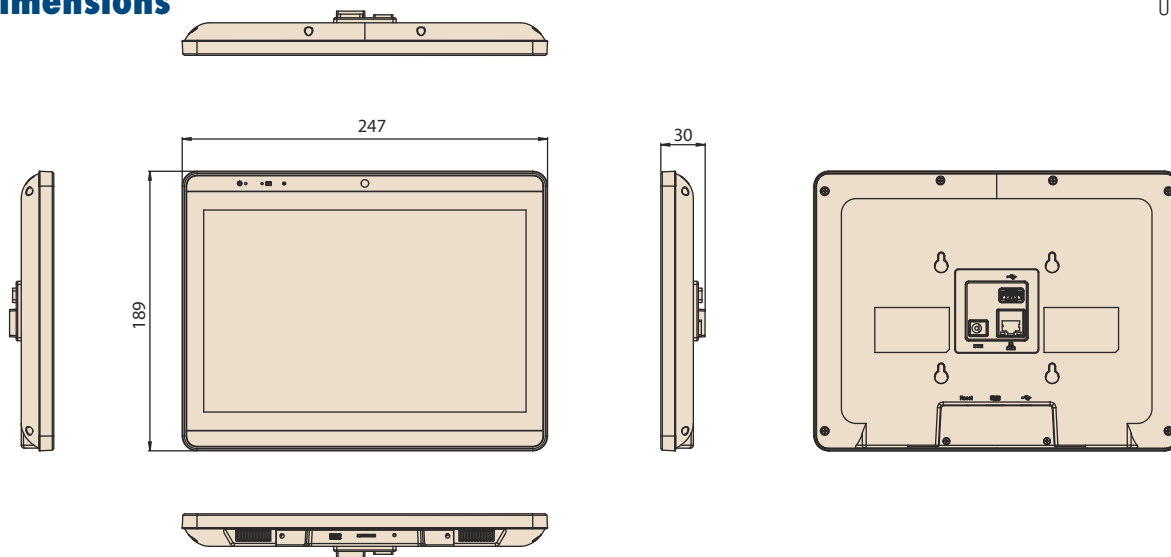
DeviceOn/iService Remote Device Management	Operating System	Android 6
	Common Controls (Reboot, Shutdown)	✓
	Remote desktop	✓(VNC)
	Device-Specific Controls (Audio, Backlight)	✓*
	Connection Status	✓
	Hardware Status	✓*
	Hard Disk Status	
	Batch Operation Support	✓
	OTA Storage Management	Local blob
	OTA Software Updates	✓
	Software Watchlist	✓
	Software Start/Stop	✓
	Kiosk Mode	✓
	Peripherals Watchlist	✓*

*Dependant on device model

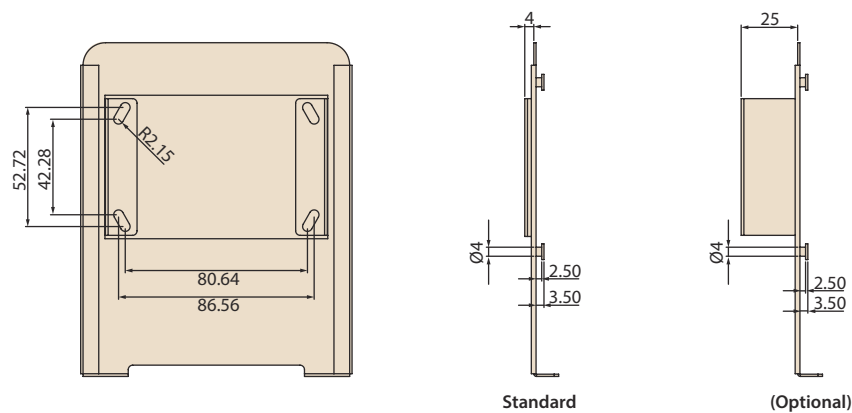
"Note: DeviceOn/iService software must be downloaded from the Advantech website at <https://www.advantech.com/search/?q=DeviceOn%2FiService&st=support&sst=Utility>

Dimensions

Unit: mm



Wall Mount Plate



Ordering Information

Part Number	CPU	Display/ Touch	Memory
HIT-W101CP-ATW1E	QC 1GHz	10.1" TFT 1280 x 800, P-CAP Multi-Touch w/ITE Adapter, w/CAM, w/Android 5.1	2GB

Wall Mount Plate

Part Number	Description	Qty
1960068243N001	Wall Mount Plate	1
1930002536-11	Screw M2.6*4L ST BZn NK	4
1930006775-01	Screw T#7-16*30L ST Ni	2

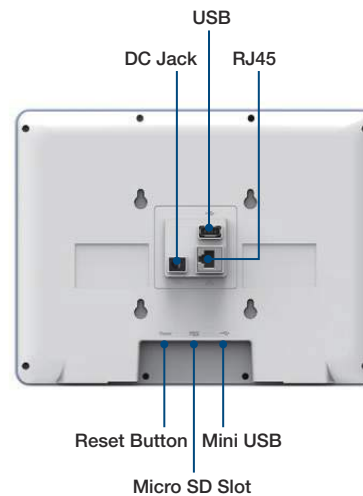
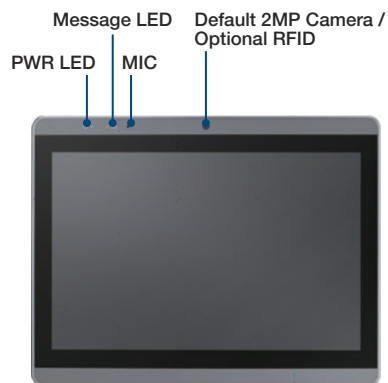
Accessories

Part Number	Description
HIT-W101-HSKE	Optional hand set kit for HIT-W101

Peripherals for HIT-W101C Series

Part Number	Description
TBSD-WS1502	Table Stands
TBSD-WS1510	
TBSD-WS1702	
TBSD-WS2710	
MNT-MMWB8615	ARMs & Mounting
MNT-MTWHM03	
ARM-MBWHA306	
ARM-MBWHA506	
ARM-MBWHA621	Keyboards/Mouses/Scanners
KBD-MCWU1020	
KBD-MCWU1010	
MOU-MCWU1001	
SCN-MCWIG829	

Front/Rear View



DeviceOn/iService

Unified Remote Device Management Software



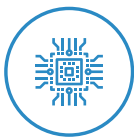
Features

- Supports Advantech devices equipped with Windows, Android, and Linux OS
- Flexible device, location, user, and permissions management
- Enables remote monitoring and control of hardware, software, and peripherals
- Supports over-the-air (OTA) firmware and software updates
- Ensures quick, easy, and secure device onboarding
- RESTful APIs for third-party system integration

Introduction

Advantech's DeviceOn/iService is a next-generation unified device management solution based on the WISE-DeviceOn platform. Designed to enable centralized monitoring and remote management, DeviceOn/iService supports Advantech devices equipped with Windows, Linux, or Android operating systems. The software also supports the management of applications and integrated peripherals, such as a barcode scanner, card reader, camera, and printer. Users can remotely access and control connected devices, take screenshots, rollout OTA upgrades, and use remote desktop capabilities for troubleshooting from any location at any time. Moreover, DeviceOn/iService supports batch operations to facilitate the management of multiple devices simultaneously for easy and convenient device configuration and deployment.

Total Management



Devices & Hardware

- Windows, Linux, Android
- Hardware, storage, battery



Software & Peripherals

- Software monitoring & access
- Screens, USB devices, printers



Open for Expansion

- Peripheral integration
- Open APIs for integration

Remote Access



Real-Time Monitoring

- Connection/hardware status
- Software/peripheral status
- Failure notifications



Remote Controls

- Power controls
- Audio, backlight controls
- Software controls



Troubleshooting

- Screenshots
- Remote desktop support

Operational Efficiency



OTA updates

- System/software updates
- File repository management
- App store



Batch Controls

- 1-to-many batch reboot, etc.
- Time-saving tasks



Setup Booster

- Software/peripheral watchlist
- Roles, rule templates

Note: Some functions may vary according to the product

System Architecture

