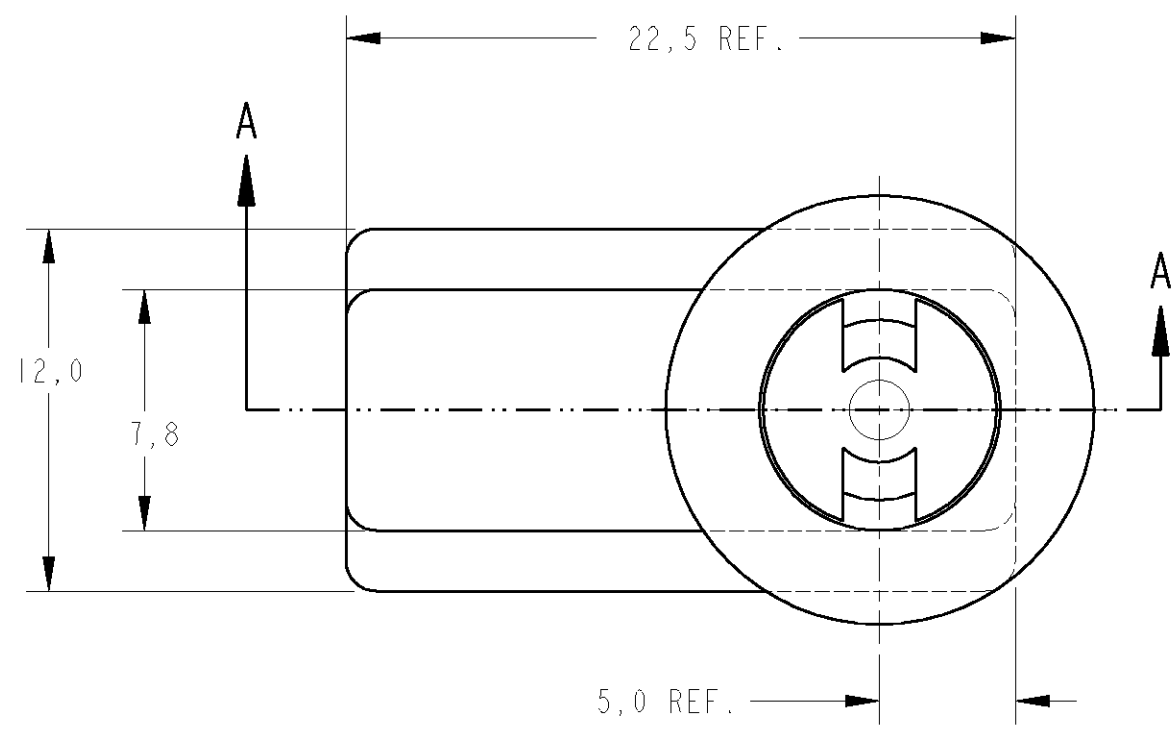


THIS DRAWING IS UNPUBLISHED. RELEASED FOR PUBLICATION .19  
 © COPYRIGHT 19 BY AMP INCORPORATED. ALL RIGHTS RESERVED.

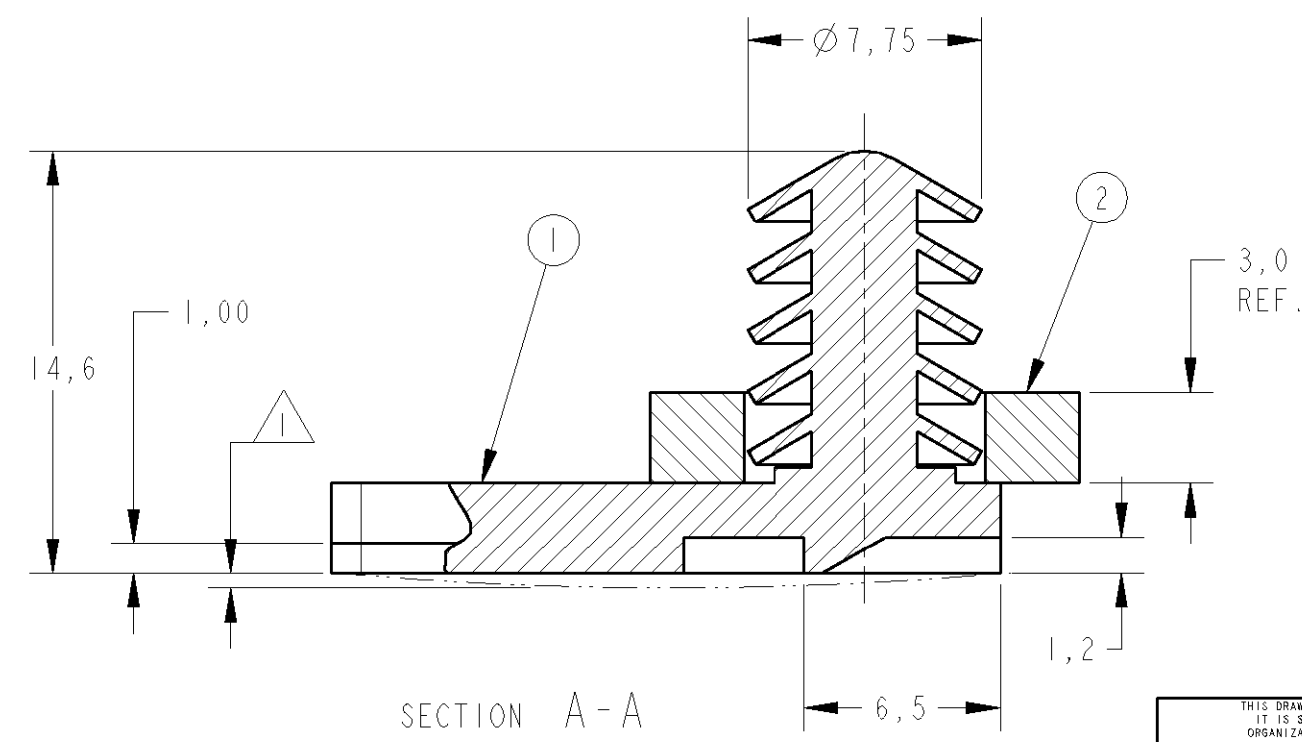
**CAD**  
Pro-E  
DO NOT REVISE EXCEPT BY CAD

LOC	DIST	REVISIONS			
P	LTR	DESCRIPTION	DATE	DWN	APVD
AP	-				
	C	REVISADO EC-301/00	02AUG00	NCL	PLF
	D	REVISED BY ECLB00428/00	11OCT00	AP	PLF



△ -0.4 MÁX. DEFORMAÇÃO PERMITIDA.  
 -SIMILAR A PEÇA AUTOLATINA 547971904 C.  
 -FURO PADRÃO DE MONTAGEM: Ø 6.5 ±0.2  
 -ESPESSURA DE CHAPA: 0,56 A 5,10

△ -WARPAGE PERMITTED 0.4 MAX.  
 -SIMILAR TO AUTOLATINA PART NUMBER 547971904 C.  
 -ASSEMBLING STANDARD HOLE Ø 6.5 ±0.2  
 -PLATE THICKNESS: 0,56 TO 5,10



REQ. PER ASSY	ITEM	DESCRIPTION	MATERIAL	FINISH
1	2	GASKET	EPDM	PRETO / BLACK
1	1	CRISTMAS TREE WITHOUT GASKET	PA 6.6	PRETO / BLACK
-	1	CRISTMAS TREE WITHOUT GASKET	PA 6.6	NATURAL
D	D	D		
-3	-2	-1		

THIS DRAWING IS A CONTROLLED DOCUMENT FOR AMP INCORPORATED. IT IS SUBJECT TO CHANGE AND THE CONTROLLING ENGINEERING ORGANIZATION SHOULD BE CONTACTED FOR THE LATEST REVISION.

DIMENSIONS: mm	TOLERANCES UNLESS OTHERWISE SPECIFIED: 0 PLC ± 1 PLC ±0.3 2 PLC ± 3 PLC ± 4 PLC ± ANGLES ±	DWN F.S.MARTINS 15SEP98 CHK P.L.FARIA 21SEP98 APVD F.ALEXANDRONI 21SEP98	<b>AMP</b> AMP do BRASIL LTDA. São Paulo, Brasil
MATERIAL SEE TABLE	FINISH SEE TABLE	PRODUCT SPEC -	NAME CHRISTMAS TREE
		APPLICATION SPEC -	SIZE A3
		WEIGHT -	CAGE CODE 00779
		CUSTOMER DRAWING	DRAWING NO C-626897
			RESTRICTED TO -
			SCALE 4:1
			SHEET 1 OF 1
			REV D