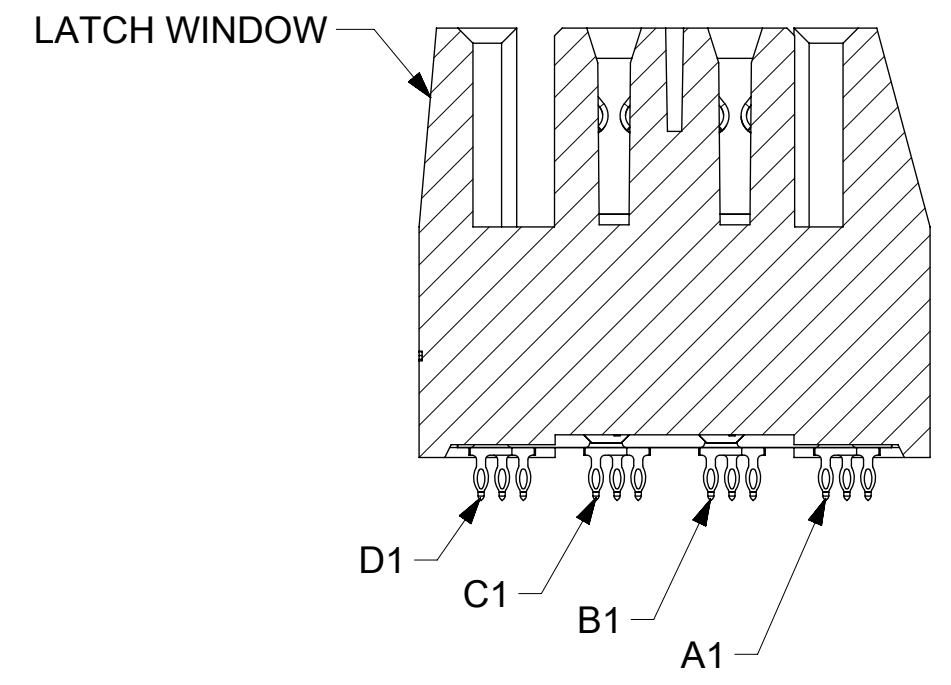
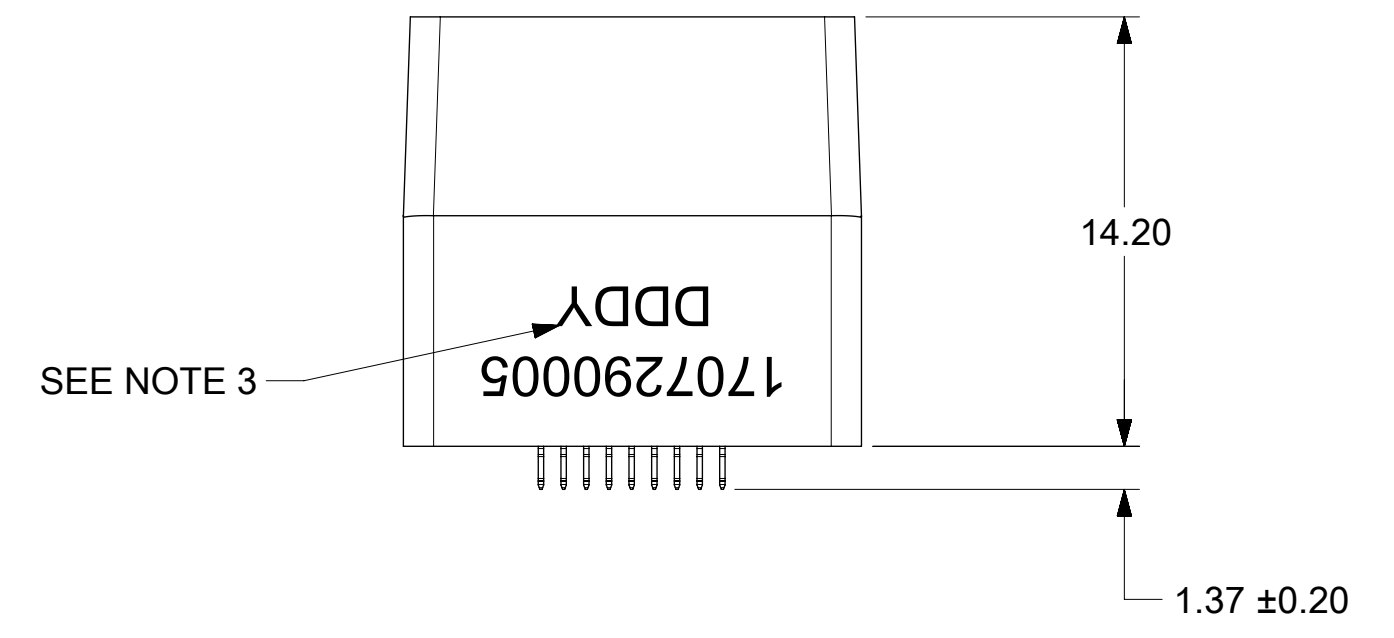
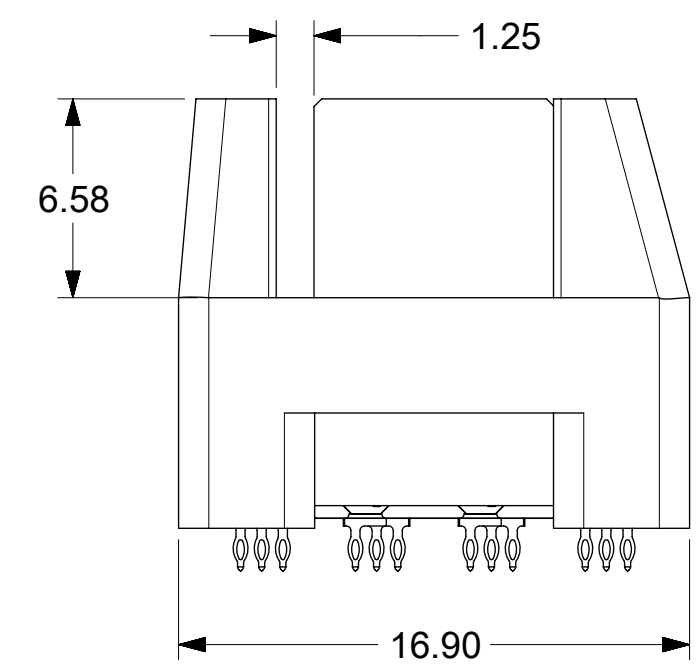
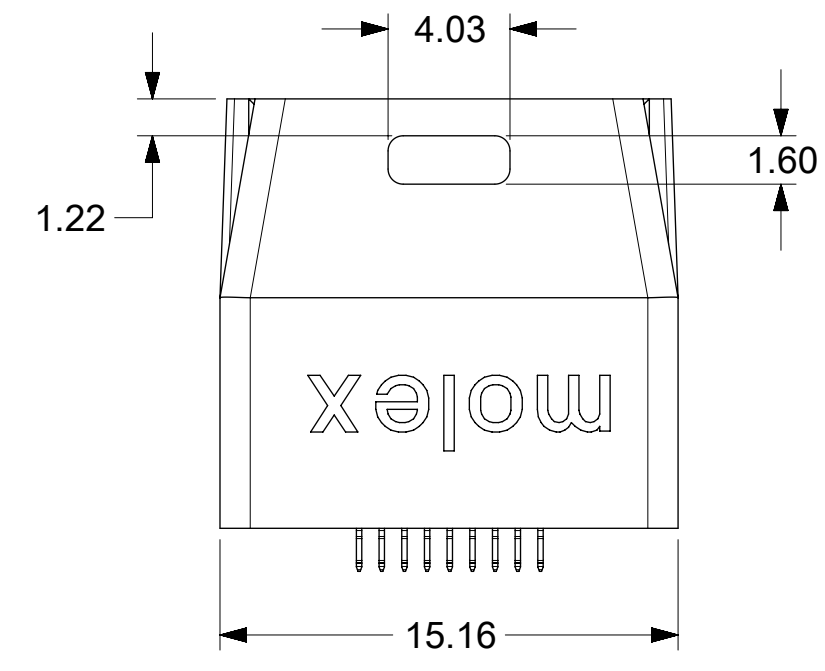


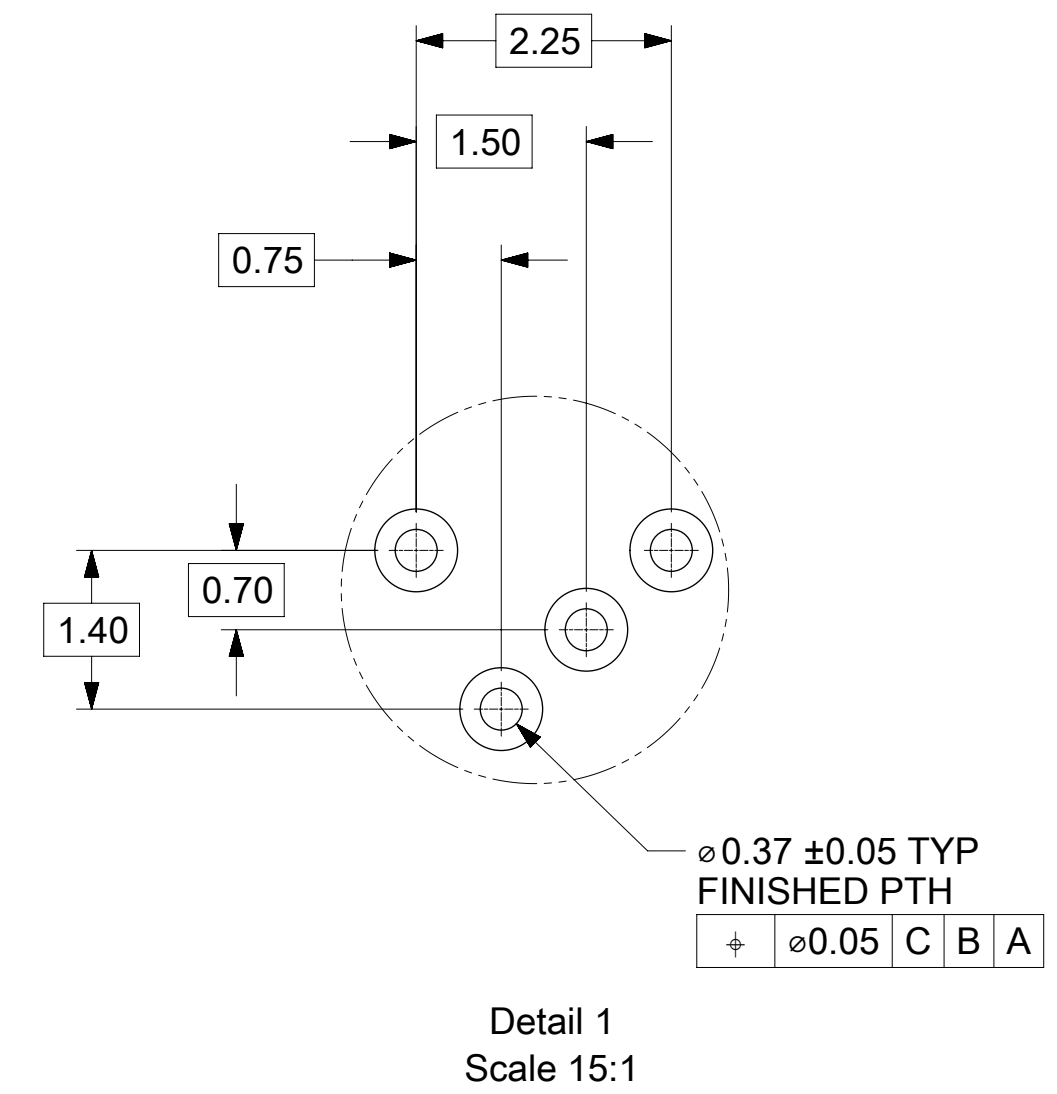
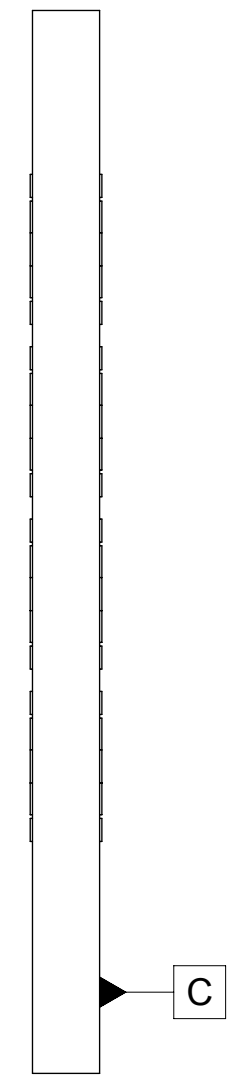
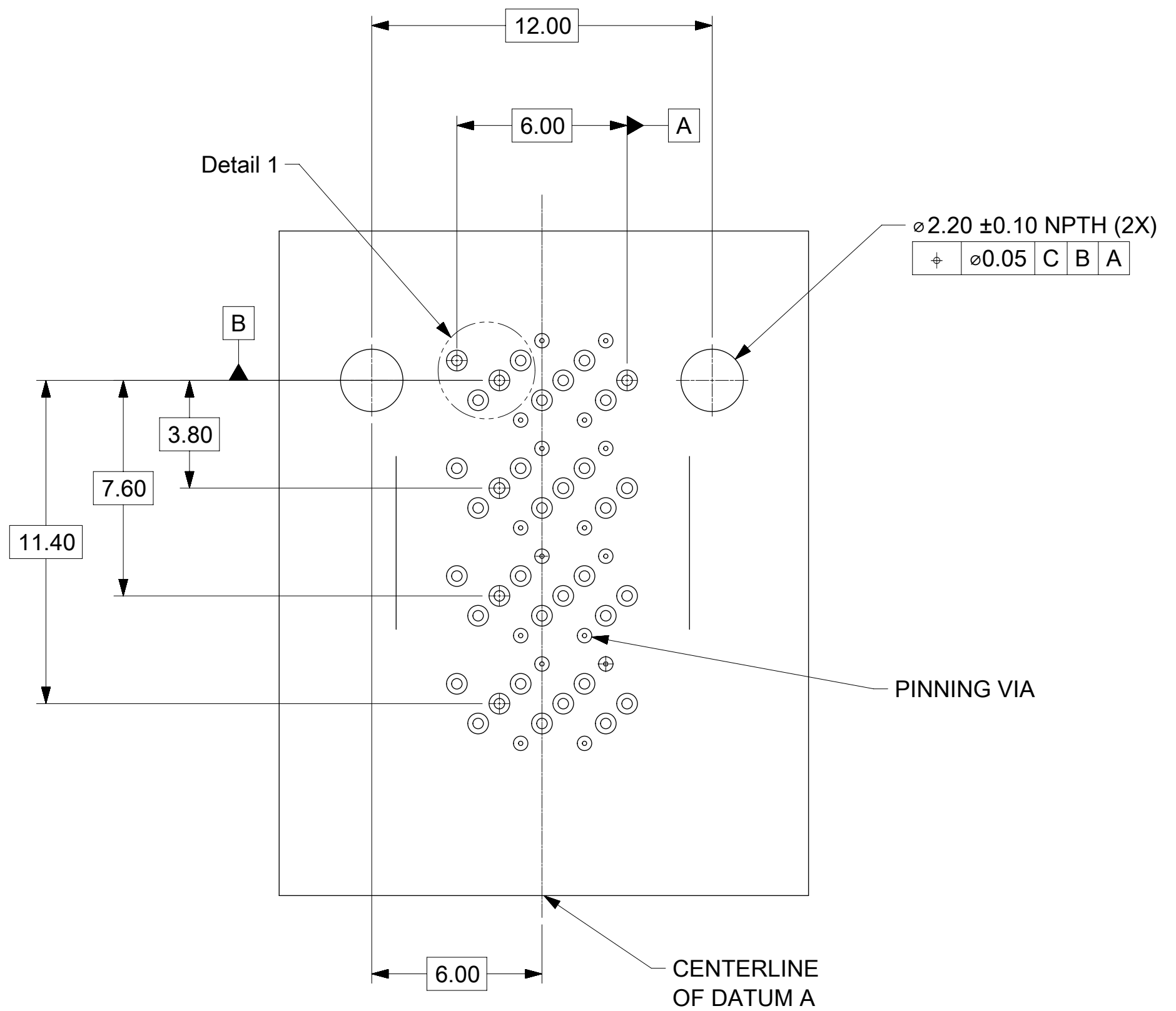
- NOTES:
1. MATERIALS:
CONNECTOR HOUSING: HIGH TEMPERATURE THERMOPLASTIC
GLASS FILLED, UL 94V-0
 2. FINISHES:
CONTACT AREA: 0.76 μM MIN GOLD OVER 3.81 μM NICKEL
COMPLIANT AREA: 0.76 μM MIN TIN (LEAD FREE)
OVER 1.27 μM MIN NICKEL
 3. MANUFACTURED DATE CODE (JULIAN CALENDAR) & PART NUMBER
 4. PRODUCT SPECIFICATION: PS-170729-001
 5. PACKAGING SPECIFICATION: PK-76867-002
 6. MATES WITH: MOLEX CABLE SERIES 111074
 7. MOUNTING HARDWARE NOT INCLUDED REFER TO APPLICATION SPECIFICATION AS-170729-0001.
 8. PLUG MODULE PCB LAYOUT REFER TO SD-76866-9900



THIS DRAWING CONTAINS INFORMATION THAT IS PROPRIETARY TO MOLEX ELECTRONIC TECHNOLOGIES, LLC AND SHOULD NOT BE USED WITHOUT WRITTEN PERMISSION											
MIGRATED EC NO: 108695 DRWN: ABN CHKD: REV / APPR: SMILLER	2016/07/16		2016/09/23		GENERAL TOLERANCES (UNLESS SPECIFIED)		DIMENSION UNITS		SCALE		
					ANGULAR TOL ± 2.0 °		MM		4:1		
	4 PLACES ±		TMCCLELL		DATE		2013/02/04		DRWN BY		
	3 PLACES ±		TMCCLELLAND		DATE		2013/02/19		CHKD BY		
	2 PLACES ± 0.13		MBANAKIS		DATE		2013/03/19		APPR BY		
	1 PLACE ± 0.25				DATE						
0 PLACES ±				DATE						PRODUCT CUSTOMER DRAWING	
DRAFT WHERE APPLICABLE MUST REMAIN WITHIN DIMENSIONS		C		THIRD ANGLE PROJECTION		DRAWING SIZE		SERIES		MATERIAL NUMBER	
								170729		170729-0005	
								DOCUMENT NUMBER		CUSTOMER	
								SD-170729-0005		GENERAL MARKET	
								DOC TYPE		SHEET NUMBER	
								PSD		1 OF 3	

RELEASE STATUS	RELEASE DATE
12	11

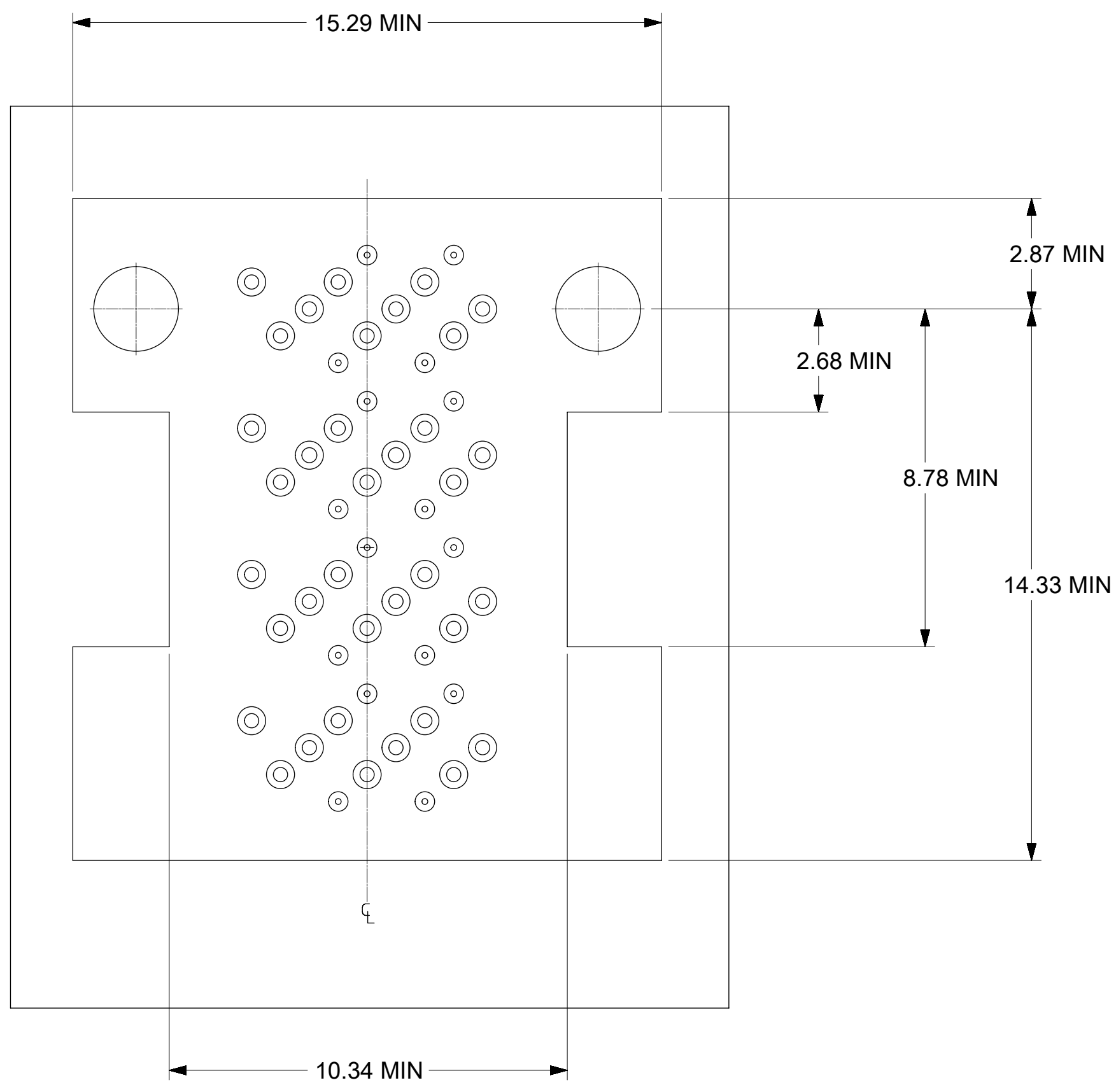
Section A-A



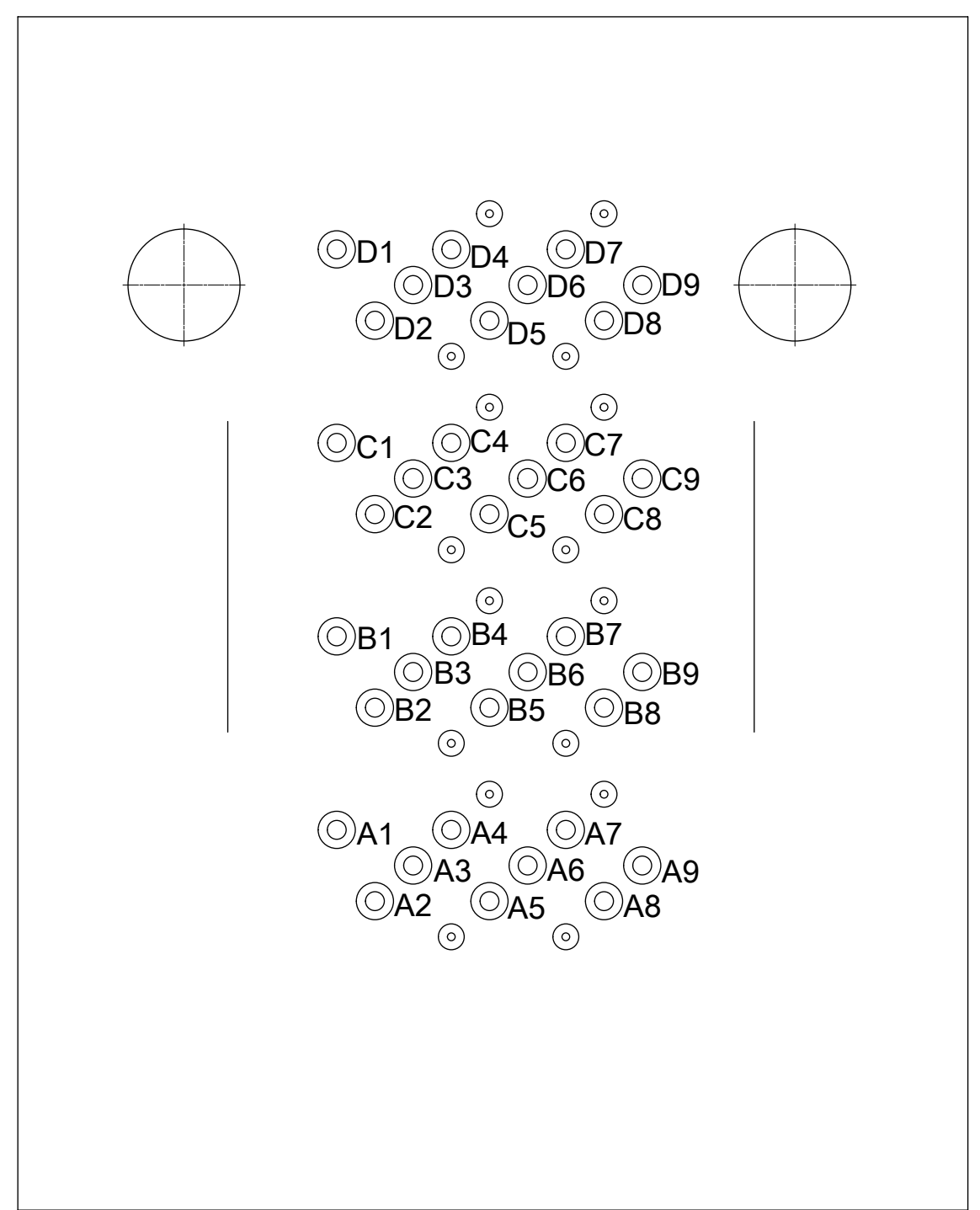
RECOMMENDED FOOTPRINT

- NOTES:
1. RECOMMENDED DRILL SIZE AND ANNULAR RING FOR $0.37\varnothing$ FINISHED PTH - REFER TO APPLICATION SPECIFICATION AS-170729-0001
 2. MINIMUM RECOMMENDED SPACING IS 16.00MM
 3. MINIMUM RECOMMENDED PCB THICKNESS: 1.57MM

THIS DRAWING CONTAINS INFORMATION THAT IS PROPRIETARY TO MOLEX ELECTRONIC TECHNOLOGIES, LLC AND SHOULD NOT BE USED WITHOUT WRITTEN PERMISSION												
MIGRATED EC NO: 108695 DRWN: ABN CHKD: REV	2016/07/16	2016/09/23	GENERAL TOLERANCES (UNLESS SPECIFIED)			DIMENSION UNITS	SCALE					
			ANGULAR TOL $\pm 2.0^\circ$			MM	6:1					
			4 PLACES	\pm		DRWN BY	DATE	IPASS ZHD VERTICAL SINGLE PIECE HOUSING ASSEMBLY				
			3 PLACES	\pm		TMCCLELL	2013/02/04					
			2 PLACES	± 0.13		CHKD BY	DATE	PRODUCT CUSTOMER DRAWING				
1 PLACE	± 0.25		TMCCLELLAND	2013/02/19								
0 PLACES	\pm		APPR BY	DATE	SERIES	MATERIAL NUMBER	CUSTOMER					
			MBANAKIS	2013/03/19	170729	170729-0005	GENERAL MARKET					
DRAFT WHERE APPLICABLE MUST REMAIN WITHIN DIMENSIONS			DRAWING SIZE	THIRD ANGLE PROJECTION	DOCUMENT NUMBER		DOC TYPE	DOC PART	SHEET NUMBER			
			C		SD-170729-0005		PSD	000	2 OF 3			



RECOMMENDED COMPONENT KEEP OUT AREA



CIRCUIT IDENTIFICATION

THIS DRAWING CONTAINS INFORMATION THAT IS PROPRIETARY TO MOLEX ELECTRONIC TECHNOLOGIES, LLC AND SHOULD NOT BE USED WITHOUT WRITTEN PERMISSION												
MIGRATED EC NO: 108895 DRWN: ABN CHKD: REV / APPR: SMILLER	GENERAL TOLERANCES (UNLESS SPECIFIED)			DIMENSION UNITS	SCALE							
	ANGULAR TOL ± 2.0 °			MM	8:1							
	4 PLACES ±	DRWN BY		DATE		IPASS ZHD VERTICAL SINGLE PIECE HOUSING ASSEMBLY						
	3 PLACES ±	TMCCLELL		2013/02/04								
	2 PLACES ± 0.13	CHKD BY		DATE		PRODUCT CUSTOMER DRAWING						
	1 PLACE ± 0.25	TMCCLELLAND		2013/02/19								
0 PLACES ±	APPR BY		DATE		SERIES		MATERIAL NUMBER		CUSTOMER			
DRAFT WHERE APPLICABLE MUST REMAIN WITHIN DIMENSIONS			DRAWING SIZE		THIRD ANGLE PROJECTION		170729		170729-0005		GENERAL MARKET	
A	C				DOCUMENT NUMBER		SD-170729-0005		DOC TYPE		PSD 000	
						SHEET NUMBER				3 OF 3		

RELEASE STATUS	RELEASE DATE
12	11