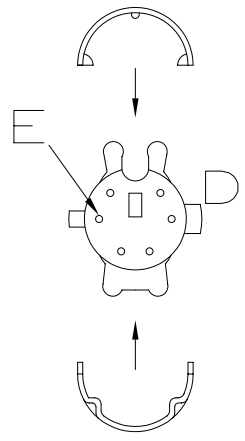
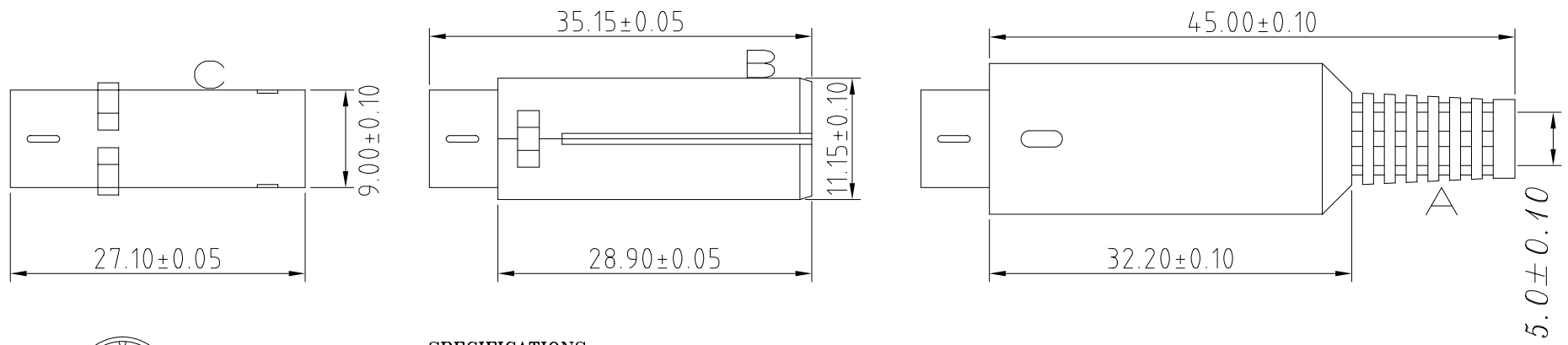
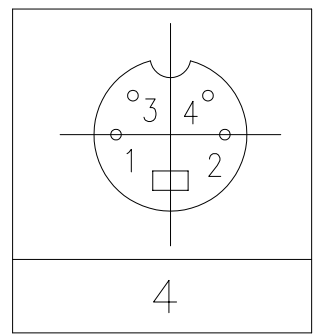


used for:



SPECIFICATIONS:

1. RATING: 11V AC 1A MAX
OR 12V DC 2A MAX.
2. INSULATION RESISTANCE:
50M OHM MIN AT 500V DC.
3. DIELECTRIC STRENGTH:
500V AC / 1 MINUTE.

MATERIAL:

- A. COVER: PE+2L
- B. SHELL: ABS
- C. METAL SHIELD: BRASS NICKEL PLATED
- D. HOUSING: NYLON66+GF
- E. CONTACT: BRASS SILVER PLATED



6.0ø	BACK SHELL
5.5ø	BACK SHELL
5.0ø	BACK SHELL (STANDARD)
4.8ø	BACK SHELL
	COVER DIM.

THIS DRAWING MAY NOT BE COPIED OR REPRODUCED IN ANY WAY, AND MAY NOT BE PASSED ON TO A THIRD PARTY WITHOUT WRITTEN PERMISSION. OWNERSHIP AND COPYRIGHT OF CONEC CORPORATION DO NOT ALTER CAD DRAWING BY HAND	tolerance		finish		Dim. in mm	scale:			
	unless otherwise specified tolerance shall be as follow					material: SEE MATERIALS			
	Decimal:	.x .xx	Angles:		2006	date	name	title: Mini Din Plug RoHS compliant	
					draw.	Aug. 22	Vincent Ke		
					appd.	Aug. 22	R. Santangelo		
					norm				
					d-old			drawing no.:	
	a	origin						AutoCAD 2005	DIN A3
	rev.	description	date	name			39K1A263	sheet 1/1	
								part no.:	301A10479X