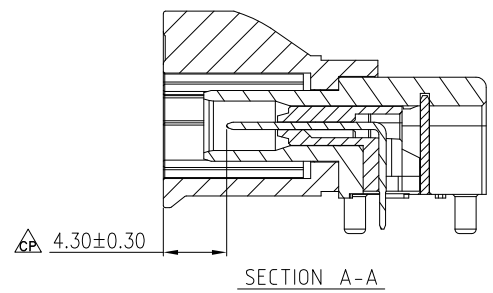
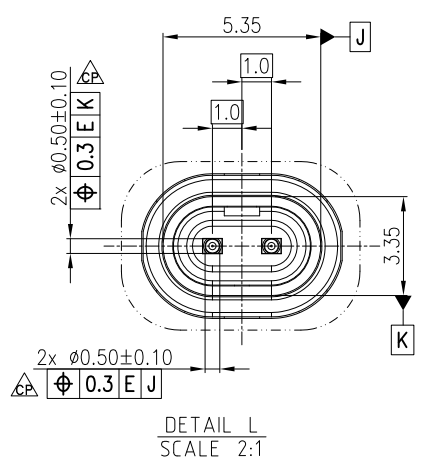
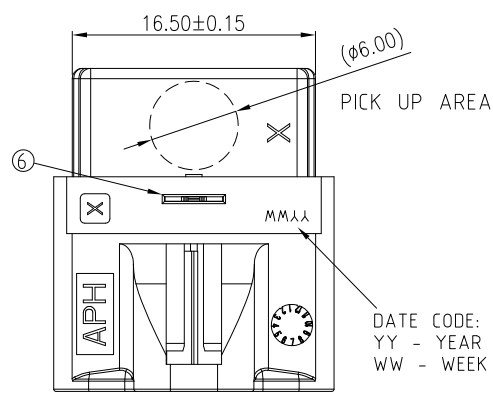


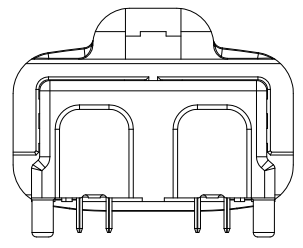
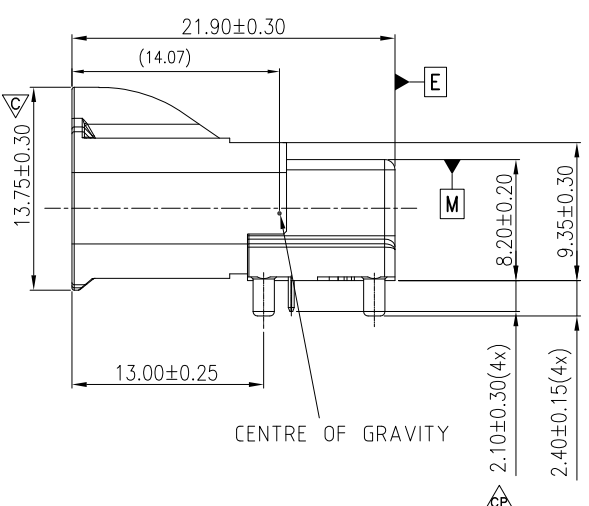
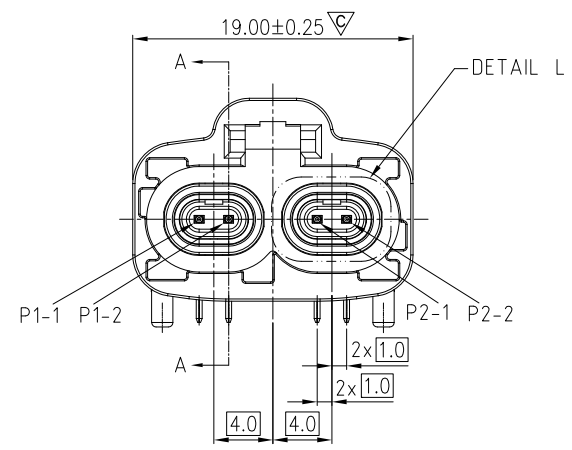
This document is the property of Amphenol Corporation and is delivered on the express condition that it is not to be disclosed, reproduced or used, in whole or in part, for manufacture or sale by anyone other than Amphenol Corporation without its prior consent, & that no right is granted to disclose or to use any information in this document.

CUSTOMER DRAWING

REVISIONS				
SYM	ECN	DESCRIPTION	DATE	APPROVED
1	N/A	FIRST RELEASE	02/07'22	DAM
2	HKXXXX	UPDATE THE LAYOUT	03/29'22	DAM
3	HKXXXX	ADD SC DEFINITION & D/C; UPDATE DIM.	06/12'22	DAM
4	HKXXXX	PIN POSITION PCB SIDE CHANGE FROM 0.3 TO 0.2	06/18'22	DAM
5	HKXXXX	UPDATE DESIGN;UPDATE DIMENSIONING	06/28'22	DAM
6	HKXXXX	UPDATE BAFFLE	08/03'22	DAM
7	HKXXXX	UPDATE BAFFLE;UPDATE DIMENSIONING	08/26'22	DAM
8	HKXXXX	UPDATE DRAWING	09/05'22	DAM
9	HKXXXX	ADD CPK DIMENSION AND UPDATE CPK SYMBOL	11/04'22	DAM
10	HKXXXX	ADD CPK DIMENSION AND UPDATE CPK SYMBOL	11/09'22	DAM
11	HKXXXX	UPDATE DIE CAST; UPDATE D/C	02/27'23	DAM



- NOTES
- MATERIAL(SEE TABLE A)
 - GENERAL SPECIFICATION:
 - CURRENT RATING: 1.5A.
 - CONTACT RESISTANCE: 20mΩ MAX.
 - INSULATOR RESISTANCE: 100MΩ MIN.AT V_{dc}=500V.T=60S
 - DIELECTRIC WITHSTANDING VOLTAGE: 500 VAC
 - OPERATION TEMPERATURE: -40°C~+105°C
 - MARKED ∇ MEANS PRODUCT SPECIAL CHARACTERISTIC. DIMENSION MARKED ∇ SHOULD CHECK THE CPK.
 - DIMENSIONING SHALL BE INTERPRETED PER ASME Y14.5M 1994.
 - COMPLIANCE WITH OPEN ALLIANCE TC9, IEEE1000BASE-T1, IEEE802.3ch-10GBASE-T1
 - BE SUITABLE FOR REFLOW SOLDERING OF JEDEC J-STD-020D STANDARD.
 - REGRIND 0% FOR PLASTIC.
 - Refer to USCAR 777-U-004-1-Z01 INTERFACE DRAWING.
 - ORDER P/N SYSTEM
VNTBR12X2001SR



CODE OPTION

A:CODE A
B:CODE B
C:CODE C
D:CODE D
...
Z:CODE Z

PACKAGE
R:TAPE REEL



HF(无卤)	√
Non-HF(有卤)	

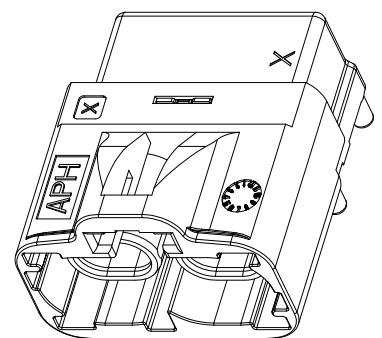
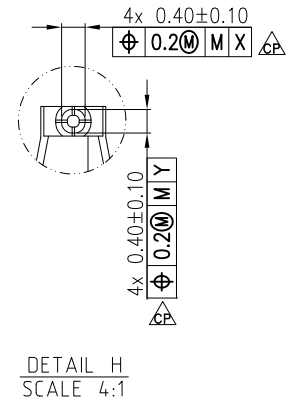
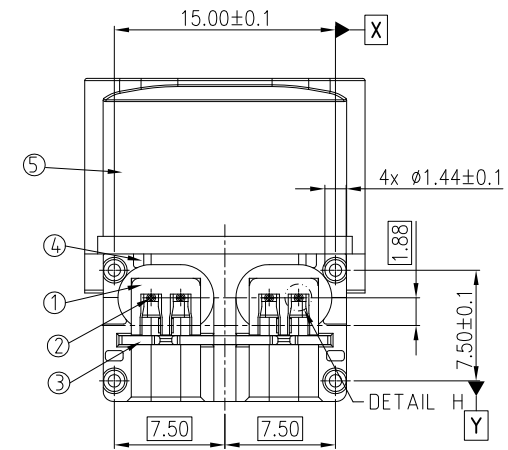


TABLE A (BOM)

ITEM	COMPONENTS	MATERIAL	QTY
6	BAFFLE	SUS304, T=0.3mm, 1/2H	1
5	HOUSING	PA10T R6130NH, UL94-V0, COLOR: SEE CODING DEFINITION	1
4	DIE CAST	ZINC ALLOY,9~15um Cu UNDER PLATED,1~3um Ni MIDDLE PLATED, 1.25~6um Sn TOP PLATED	1
3	LID	C2680, 1~3um Ni UNDER PLATED, 1.25~6um Sn TOP PLATED	1
2	CONTACT	C2680, 1~3um Ni UNDER PLATED, Au 0.15um ON MATING AREA, TIN 2~5.08um ON SOLDER AREA	4
1	HOLDER	LCP R8530, UL94-V0, BLACK	2

UNLESS OTHERWISE SPECIFIED TOLERANCES		APPROVAL	DATE	Amphenol Amphenol East Asia Limited
.X	+/- 0.50	DRAWN Jackie.Tan	02/27'23	
.XX	+/- 0.30	CHECKED Dam.He	02/27'23	TITLE Ve-NET 1X2 R/A UNSEALED CONNECTOR
.XXX	+/- 0.20	CHECKED		
FRACTIONS	+/-	DRAWING FILE :		SIZE DRAWING NO. A3 VNTBR12X2001SR
ANGLES	+/- 3°	ANGLE OF PROJECTION		
FOR MATERIALS AND FINISHES SEE NOTES		REMOVE SHARP EDGES		SCALE NONE SHEET 1 OF 2
DIMENSIONS		U.S. INCHES (METRIC) (MM)		

D
C
B
A

D
C
B
A

4 3 2 1

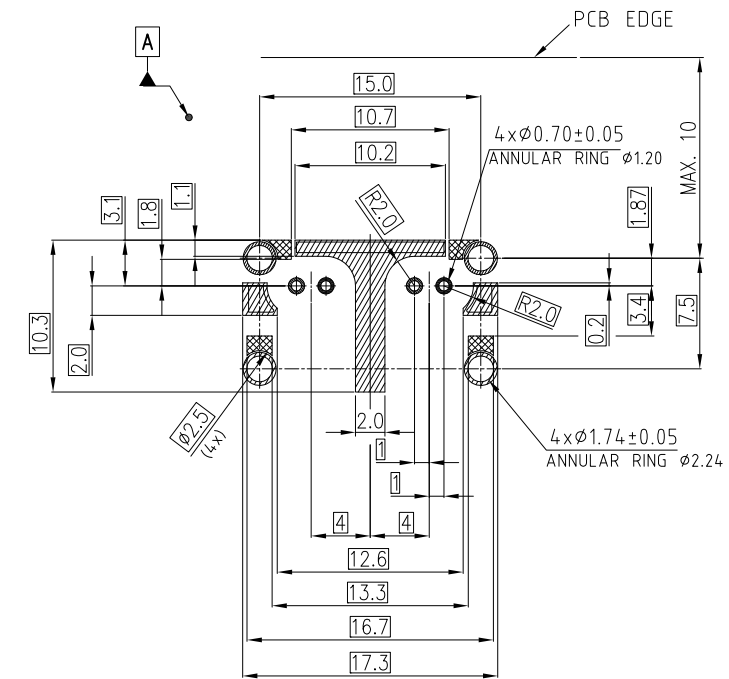
4 3 2 1

This document is the property of Amphenol Corporation and is delivered on the express condition that it is not to be disclosed, reproduced or used, in whole or in part, for manufacture or sale by anyone other than Amphenol Corporation without its prior consent, & that no right is granted to disclose or to use any information in this document.

CUSTOMER DRAWING

REVISIONS				
SYM	ECN	DESCRIPTION	DATE	APPROVED

CODING		COLOR	RAL	P/N
A		BLACK	SIM. 9005	VNTBR12A2001SR
B		WHITE	SIM. 9010	VNTBR12B2001SR
C		LIGHT BLUE	SIM. 5012	VNTBR12C2001SR
D		CLARET VIOLET	SIM. 4004	VNTBR12D2001SR
E*		MAY GREEN	SIM. 6017	VNTBR12E2001SR
F*		NUT BROWN	SIM. 8011	VNTBR12F2001SR
Z		WATER BLUE	SIM. 5021	VNTBR12Z2001SR



RECOMMENDED PCB LAYOUT THICKNESS 1.6mm~1.85mm (TOLERANCE ±0.05)
ALL THROUGH HOLES ϕ 0.05 A

- SOLDER AREA
- KEEP OUT AREA, FREE OF SOLDER, NO ROUTING UNDERNEATH

HF(无卤)	√
Non-HF(有卤)	



(*) CODING ON REQUEST

UNLESS OTHERWISE SPECIFIED TOLERANCES	
U.S.	METRIC
.X	+/- 0.50
.XX	+/- 0.30
.XXX	+/- 0.20
FRACTIONS	+/-
ANGLES	+/- 3°

FOR MATERIALS AND FINISHES SEE NOTES

REMOVE SHARP EDGES

DIMENSIONS

U.S.	INCHES
(METRIC)	(MM)

APPROVAL		DATE
DRAWN	Jackie.Tan	02/27'23
CHECKED	Dam.He	02/27'23
DRAWING FILE :		
ANGLE OF PROJECTION		

Amphenol		
Amphenol East Asia Limited		
TITLE		
Ve-NET 1X2 R/A UNSEALED CONNECTOR		
SIZE	DRAWING NO.	REV.
A3	VNTBR12X2001SR	11
SCALE	NONE	SHEET 2 OF 2