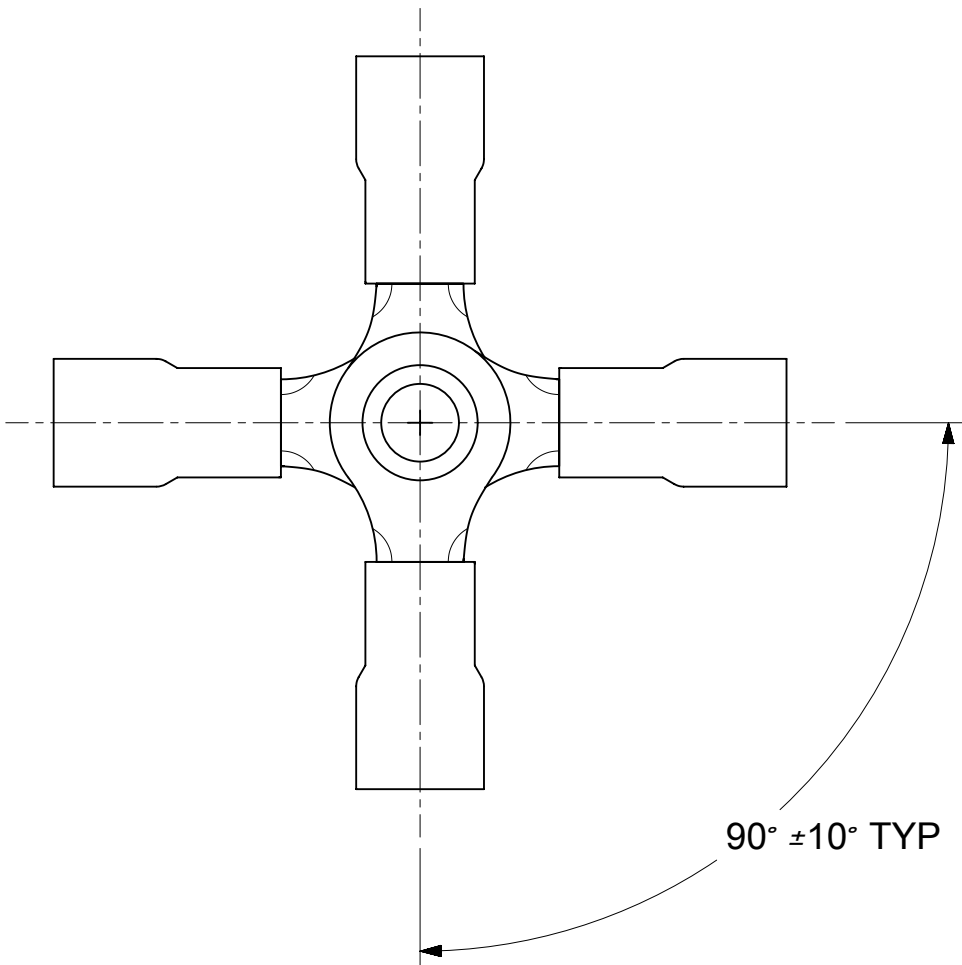


ASSEMBLY NUMBER	
MATERIAL NUMBER	ENGINEERING NUMBER
192040001	A-1XC
192040003	A-2XCX
192040008	A-5XC
192040011	B-1XC
192040013	B-2XCX
192040017	B-5XC
192040021	B-8XC
192040023	C-1XC
192040025	C-2XCX
192040029	C-5XC
191640284	SA-2XCX
191640041	SB-2XCX
191640285	SC-2XCX



90° ±10° TYP

SYMBOLS										THIS DRAWING CONTAINS INFORMATION THAT IS PROPRIETARY TO MOLEX ELECTRONIC TECHNOLOGIES, LLC AND SHOULD NOT BE USED WITHOUT WRITTEN PERMISSION									
▽ = 0		IN/MM		SCALE		NTS		CURRENT REV DESC: RMV OBSO P/N'S: 192040006, -0015, -0027, -0019.				molex							
E = 0		GENERAL TOLERANCES (UNLESS SPECIFIED)						EC NO: 630573											
P = 0				MM		INCH		DRWN: DMYRICK 2020/01/15				4-WAY CONNECTOR ASSEMBLY							
S = 0		4 PLACES ±		±				CHK'D: JMACNEIL 2020/01/15				PRODUCT CUSTOMER DRAWING							
▼ = 0		3 PLACES ±		± 0.005				APPR: JMACNEIL 2020/01/15				DOCUMENT NUMBER							
C = 0		2 PLACES ±		± 0.13		± 0.01		INITIAL REVISION:				SD-19204-002		DOC TYPE		DOC PART		REVISION	
X = 0		1 PLACE ±		± 0.25		±		DRWN: DMYRICK 2003/05/16				PSD		001		C1			
■ = 0		0 PLACES ±		±				APPR: RDEROSS 2003/05/16				MATERIAL NUMBER		CUSTOMER		SHEET NUMBER			
▽ = 0		DRAFT WHERE APPLICABLE MUST REMAIN WITHIN DIMENSIONS				THIRD ANGLE PROJECTION		DRAWING		SERIES		SEE CHART		GENERAL MARKET		1 OF 1			
								A-SIZE		19204									

DOCUMENT STATUS	P1	RELEASE DATE	2020/01/15	21:55:54
-----------------	----	--------------	------------	----------