



PRODUCT DATASHEET

Geri series

last update 26/6/2015

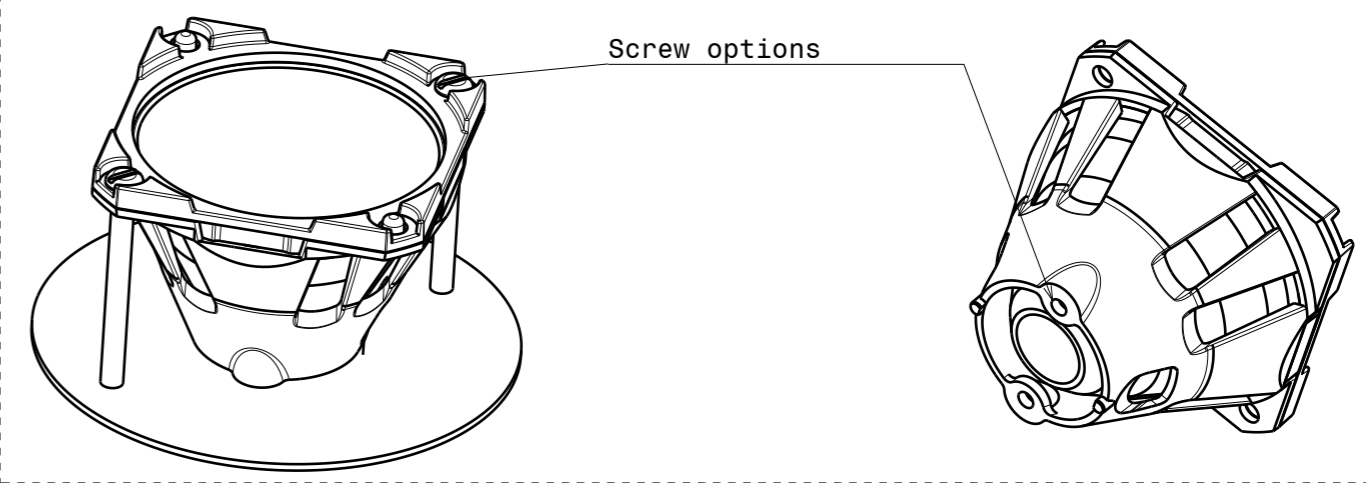
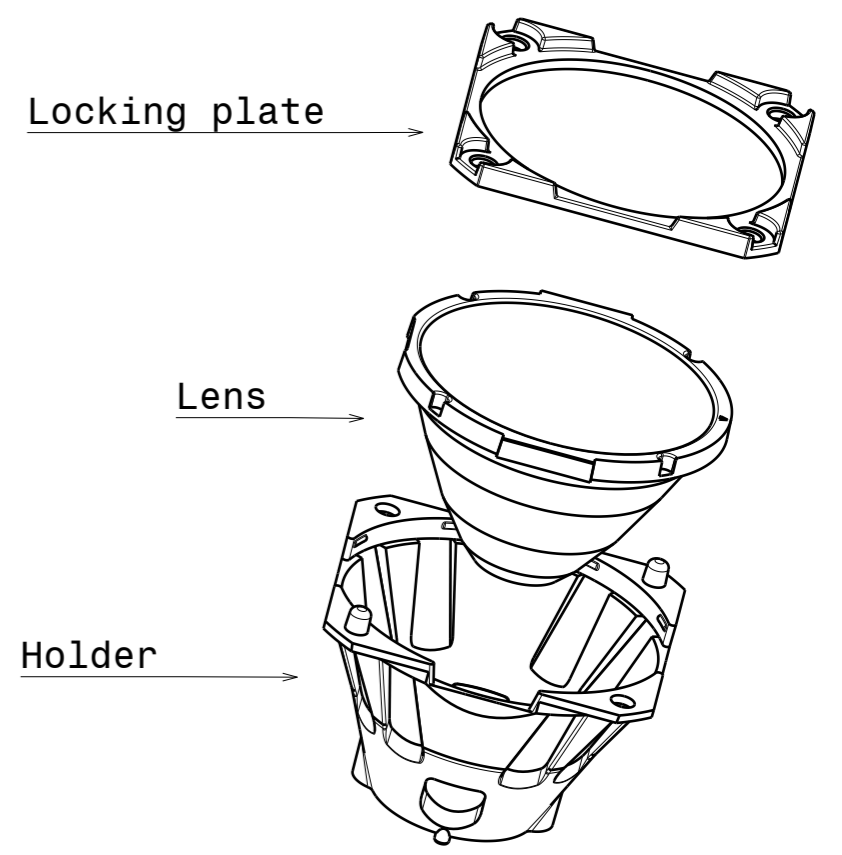
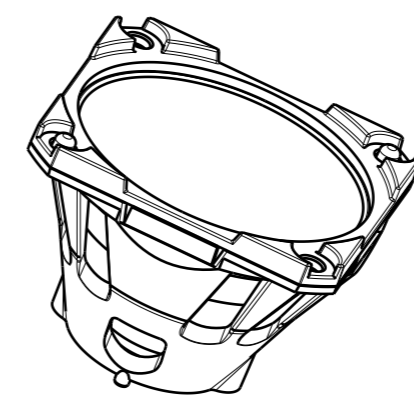
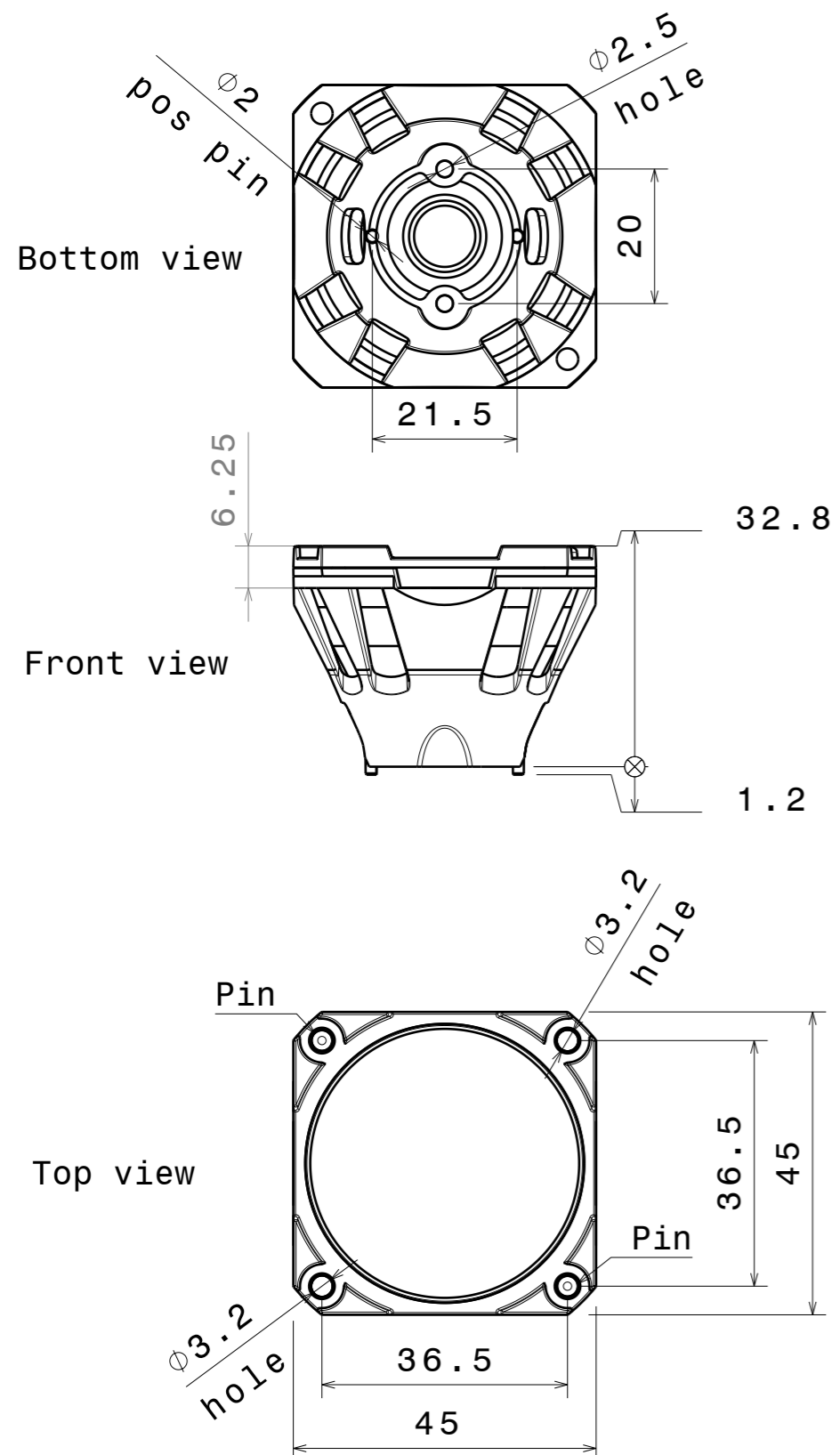
DETAILS

Product Number	FCN13741_GERI-RZ
Family	Geri
Type	Pack
Color	white
Diameter	45 + 45 mm
Height	32,8 mm
Style	square
Optic Material	PMMA
Holder Material	PC
Fastening	screw, pin, glue
Status	ready
ROHS Compliant	Yes
Date Updated	26/06/2015



OPTICAL PROPERTIES

LED	Viewing	Light	Efficiency	cd/lm	Connector
	Angle	Beam			
Ostar-SMT RGB	13 deg	Spot	89 %	9.800	-
F50360 (RGB)	14 deg	Spot	90 %	9.000	-
MC-E RGB	15 deg	Spot	90 %	7.800	-
LUXEON Z RGB	15 deg	Spot	89 %	7.600	-
XM-L RGB	16 deg	Spot	90 %	7.500	-



INDEX	PART NO	DESCRIPTION	MATERIAL	COLOUR
1	CN13741	GERI-RZ	Optic PMMA / Holder PC	White

Tolerances if not otherwise shown
 According to DIN ISO 2768-1
 Linear measures:
 Up to 30mm class M, otherwise class C.
 According to DIN ISO 2768-2
 Form and position: class L

LEDiL Ledil Oy
 Salorankatu 10
 FIN 24240 SALO
 Finland

THIRD ANGLE PROJECTION:

DRAWING TITLE
CN13741_GERI-RZ

This drawing is the property of LEDiL Oy. It may not be reproduced, copied or communicated without a written agreement with LEDiL Oy."

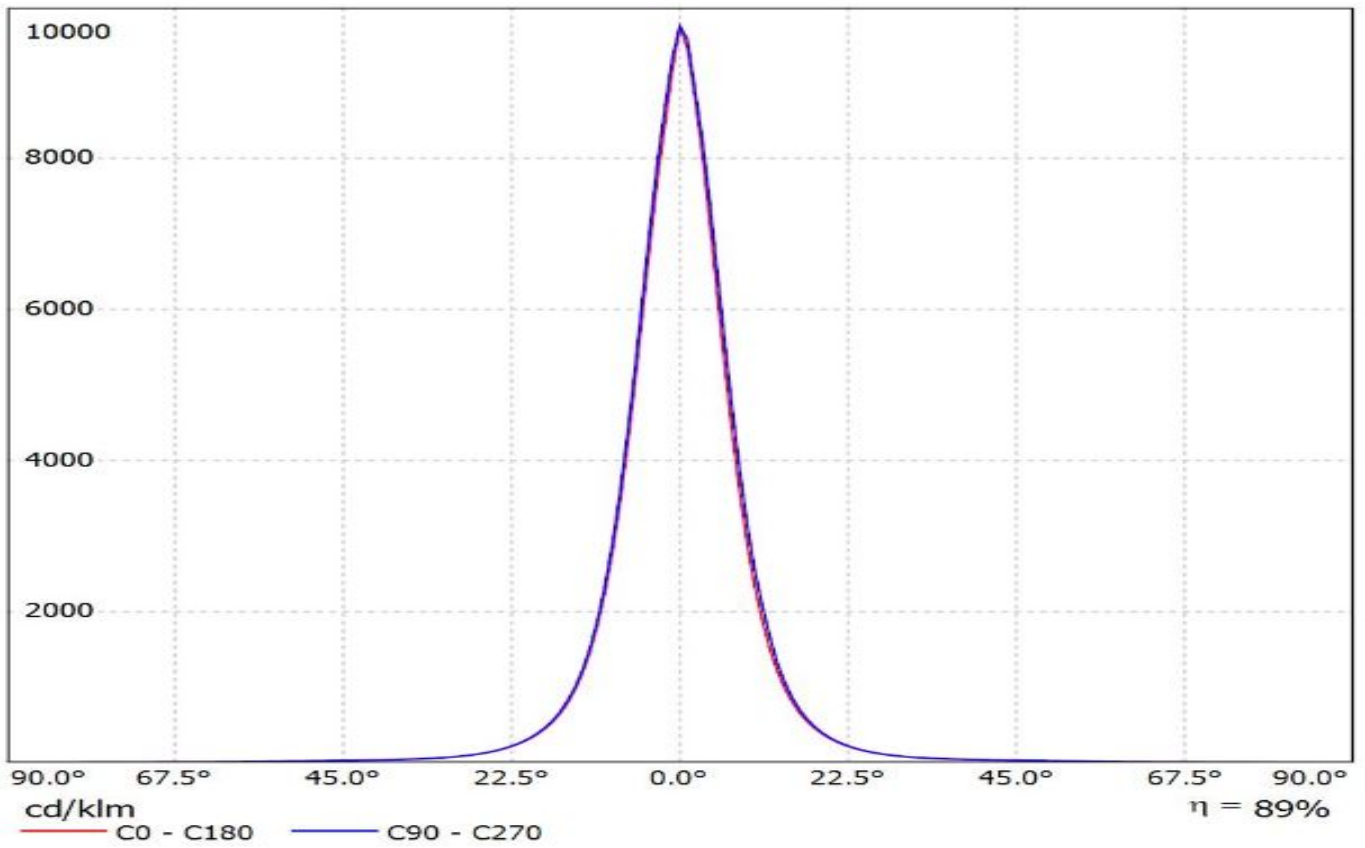
SIZE PART NUMBER
A3 CN13741

SCALE 1:1 WEIGHT SHEET 1/1

Ledil CN13741_GERI-RZ_(OSTAR-SMT_RGB) / LDC (Linear)

Luminaire: Ledil CN13741_GERI-RZ_(OSTAR-SMT_RGB)

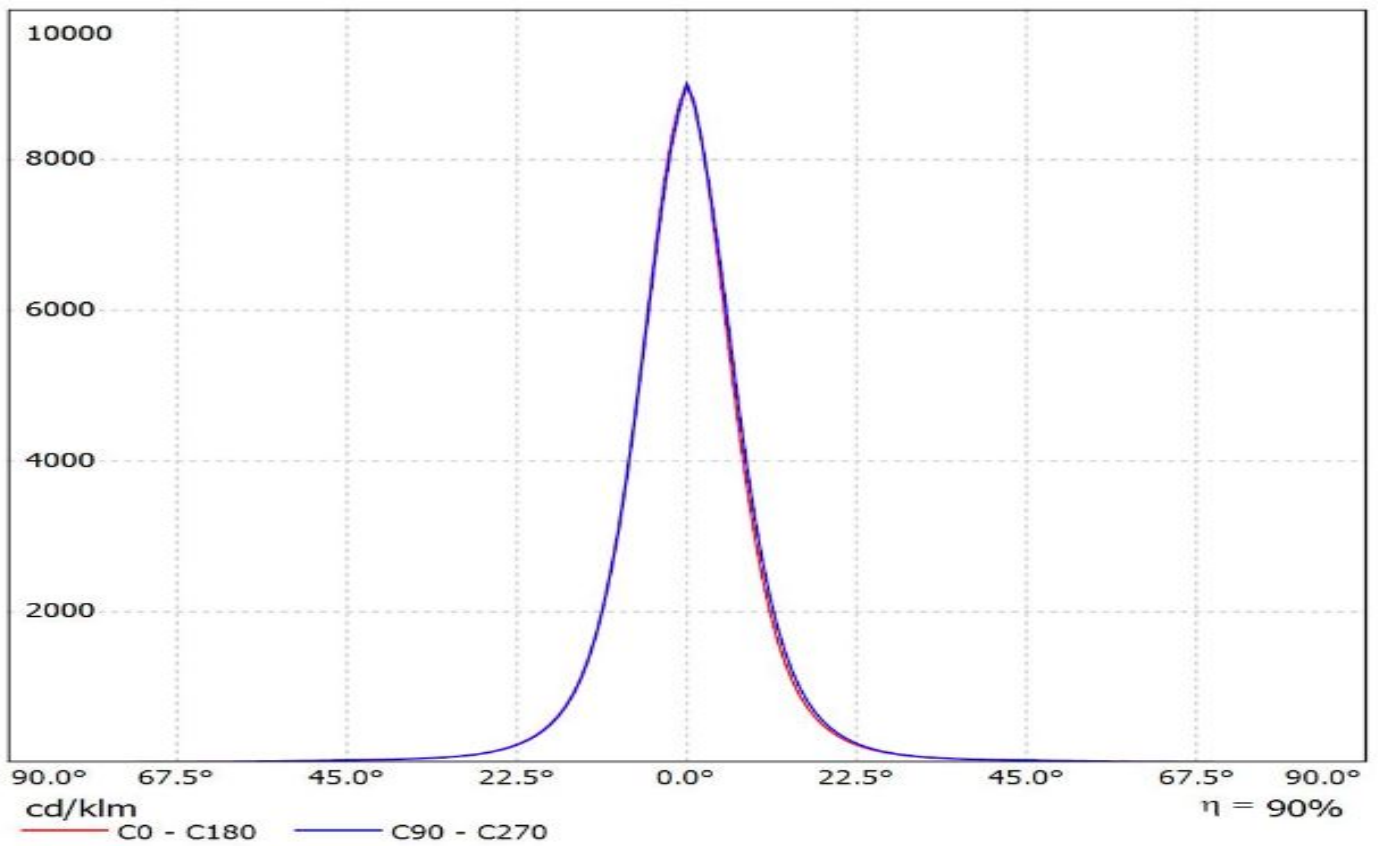
Lamps: 1 x OSRAM_OSTAR-SMT_RGB_168.879lm@250mA_P=3W_I=0.25A



Ledil CN13741_GERI-RZ_(F50360_RGB) / LDC (Linear)

Luminaire: Ledil CN13741_GERI-RZ_(F50360_RGB)

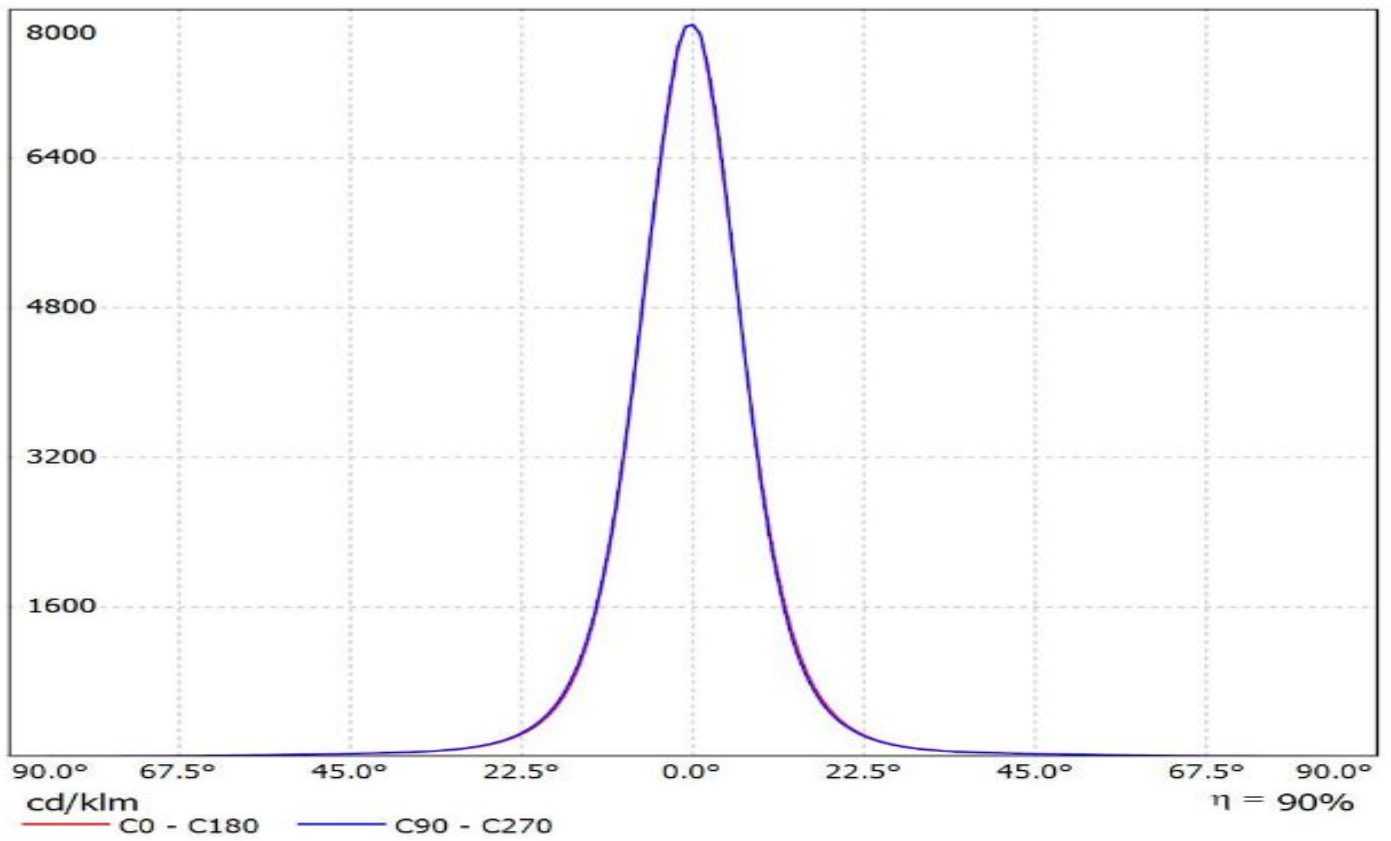
Lamps: 1 x SEOUL_F50360_RGB_(-01_QLSRBH)_57.1364lm@250mA_P=2.1W_I=0.25A



Ledil CN13741_GERI-RZ_(MC-E_RGBW) / LDC (Linear)

Luminaire: Ledil CN13741_GERI-RZ_(MC-E_RGBW)

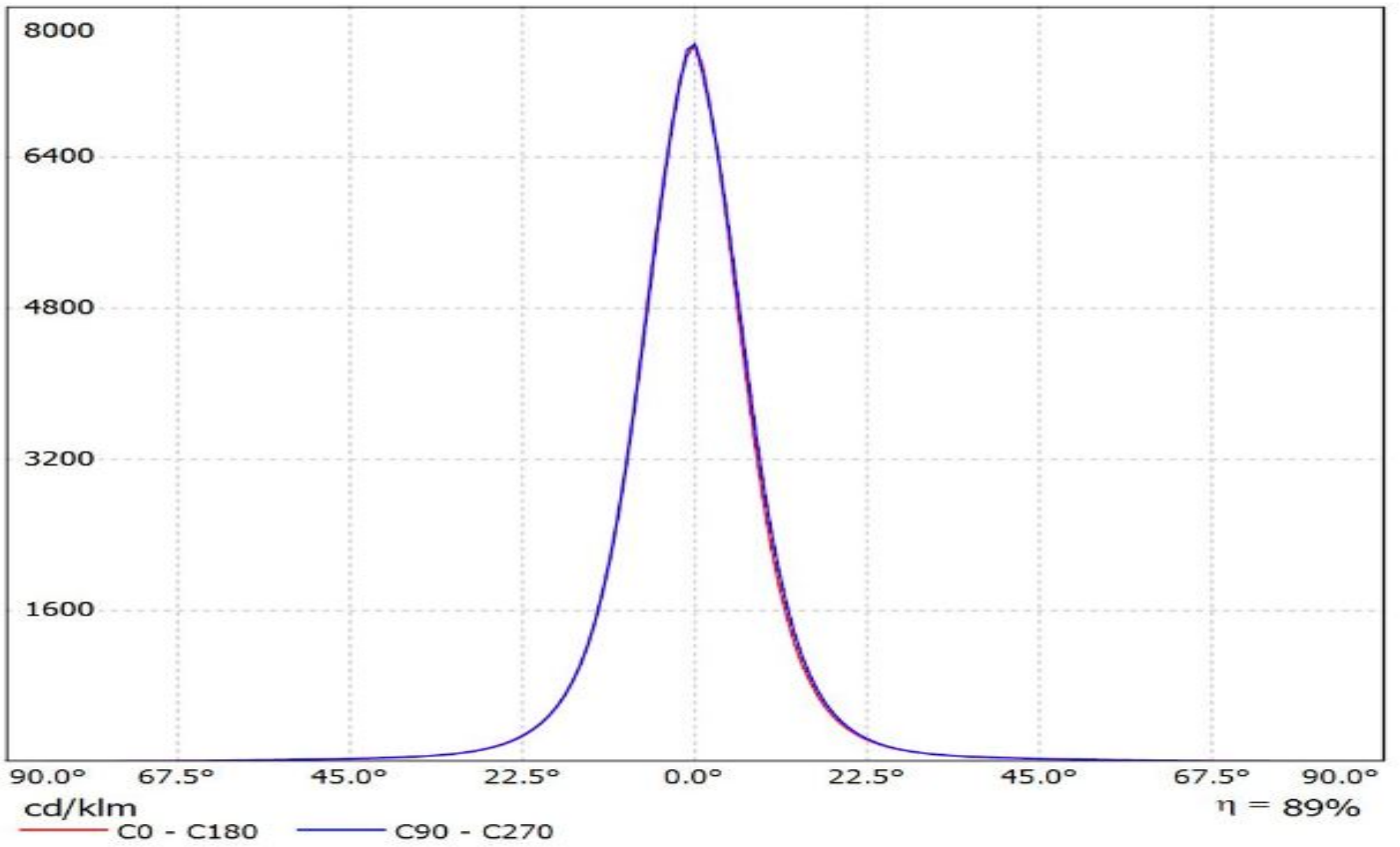
Lamps: 1 x CREE_MC-E_RGBW_170.896lm@250mA_P=2.8W_I=0.25A



Ledil CN13741_GERI-RZ_(LUXEON_Z_RGBW) / LDC (Linear)

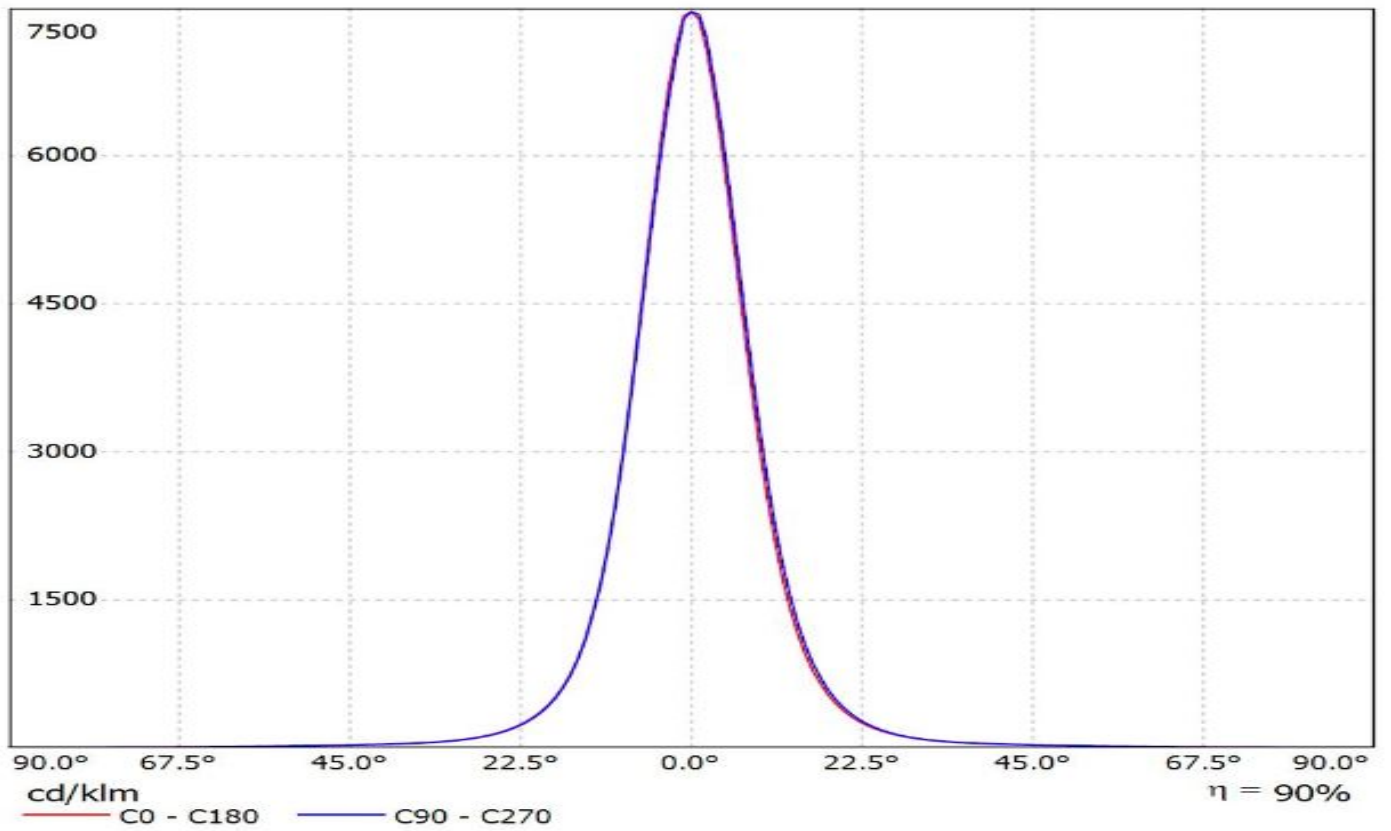
Luminaire: Ledil CN13741_GERI-RZ_(LUXEON_Z_RGBW)

Lamps: 1 x LUXEON_Z_RGBW_165.276lm@250mA_P=2.6W_I=0.25A



Ledil CN13741_GERI-RZ_(XM-L_RGBW) / LDC (Linear)

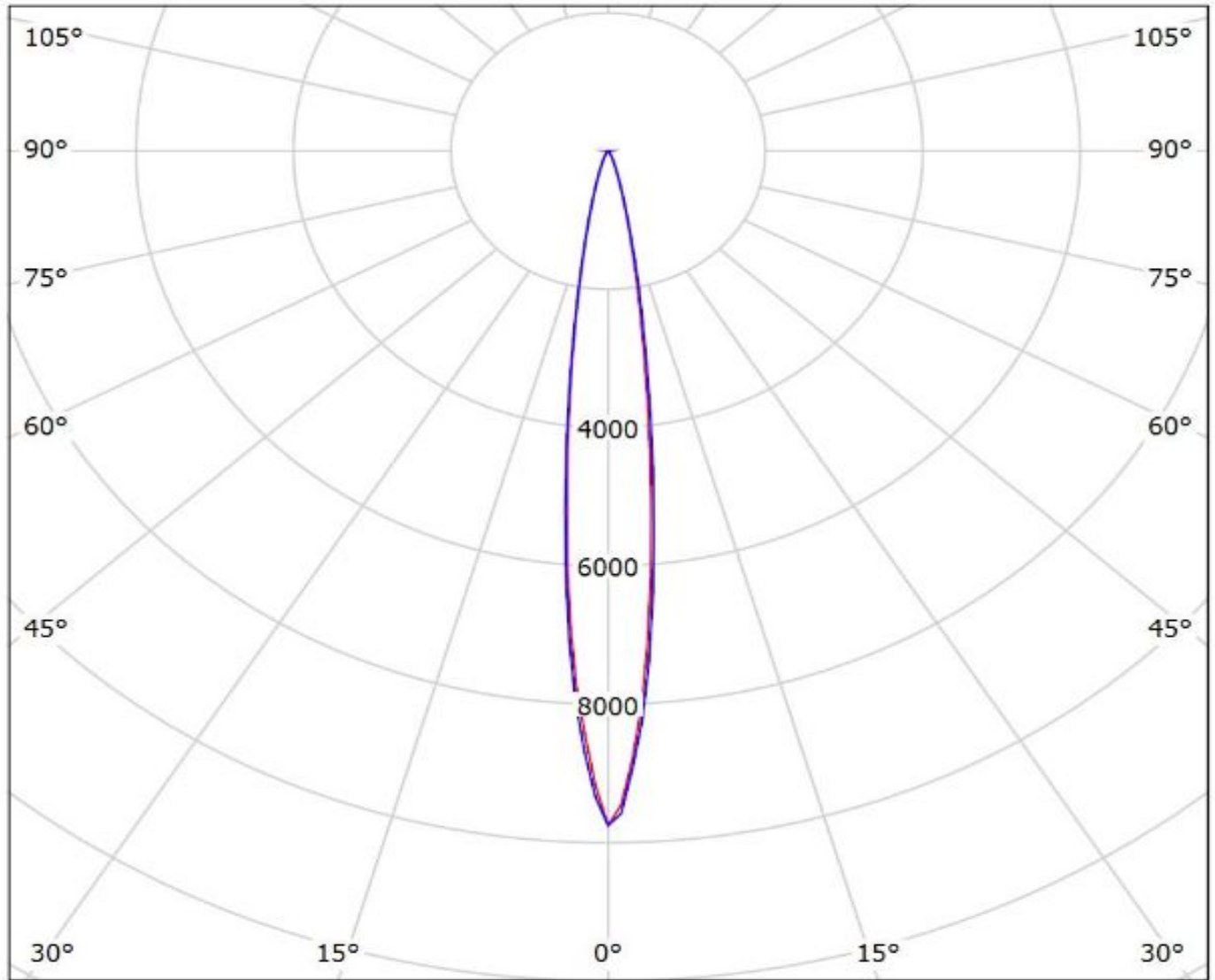
Luminaire: Ledil CN13741_GERI-RZ_(XM-L_RGBW)
Lamps: 1 x CREE_XM-L_RGBW_(XMLCTW-A0-0000-00C3AAAA1)
_215.885lm@250mA_P=2.7W_I=0.25A



Ledil CN13741_GERI-RZ_(OSTAR-SMT_RGB) / LDC (Polar)

Luminaire: Ledil CN13741_GERI-RZ_(OSTAR-SMT_RGB)

Lamps: 1 x OSRAM_OSTAR-SMT_RGB_168.879lm@250mA_P=3W_I=0.25A



cd/klm

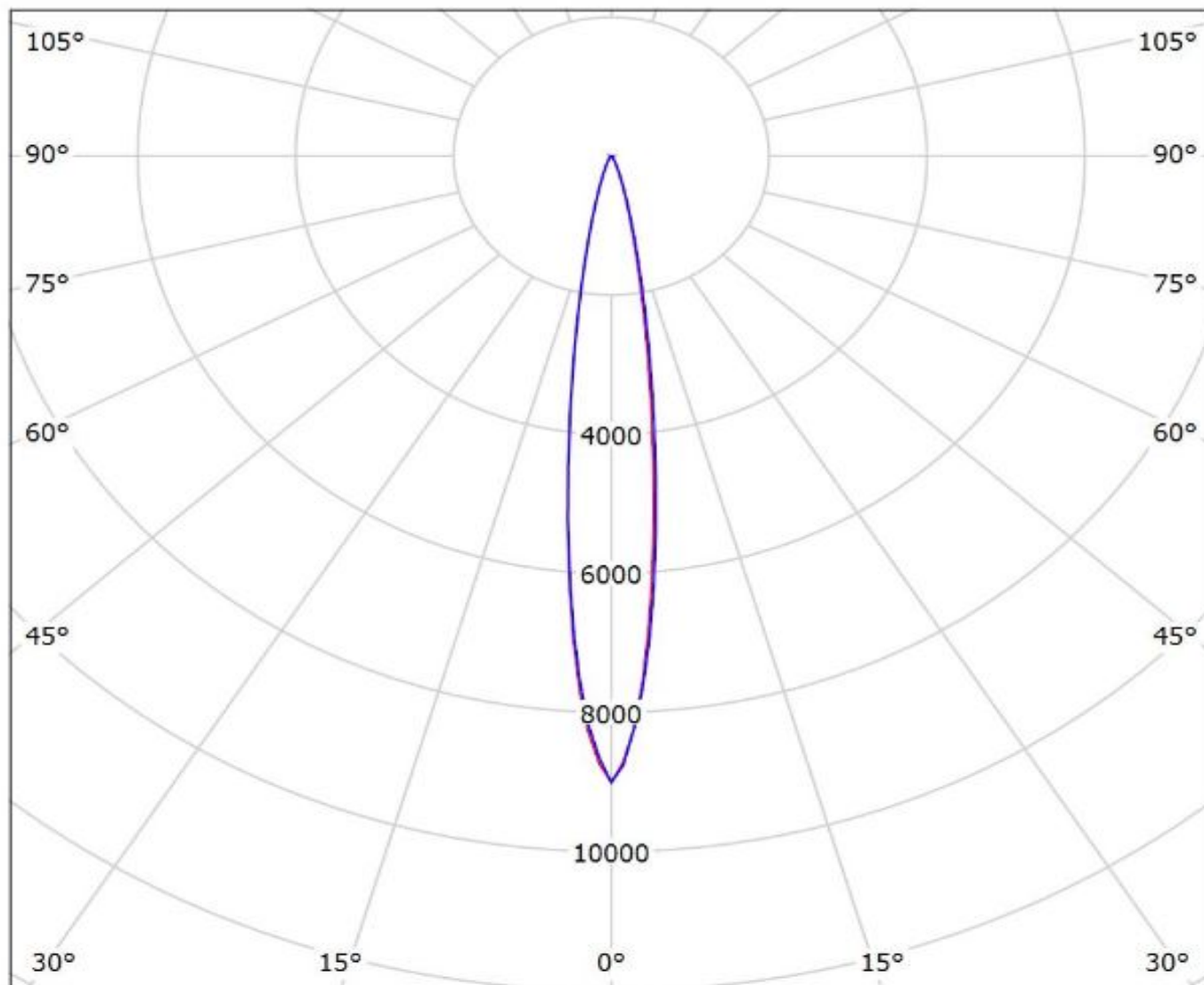
— C0 - C180 — C90 - C270

$\eta = 89\%$

Ledil CN13741_GERI-RZ_(F50360_RGB) / LDC (Polar)

Luminaire: Ledil CN13741_GERI-RZ_(F50360_RGB)

Lamps: 1 x SEOUL_F50360_RGB_(-01_QLSRBH)_57.1364lm@250mA_P=2.1W_I=0.25A



cd/klm

— C0 - C180

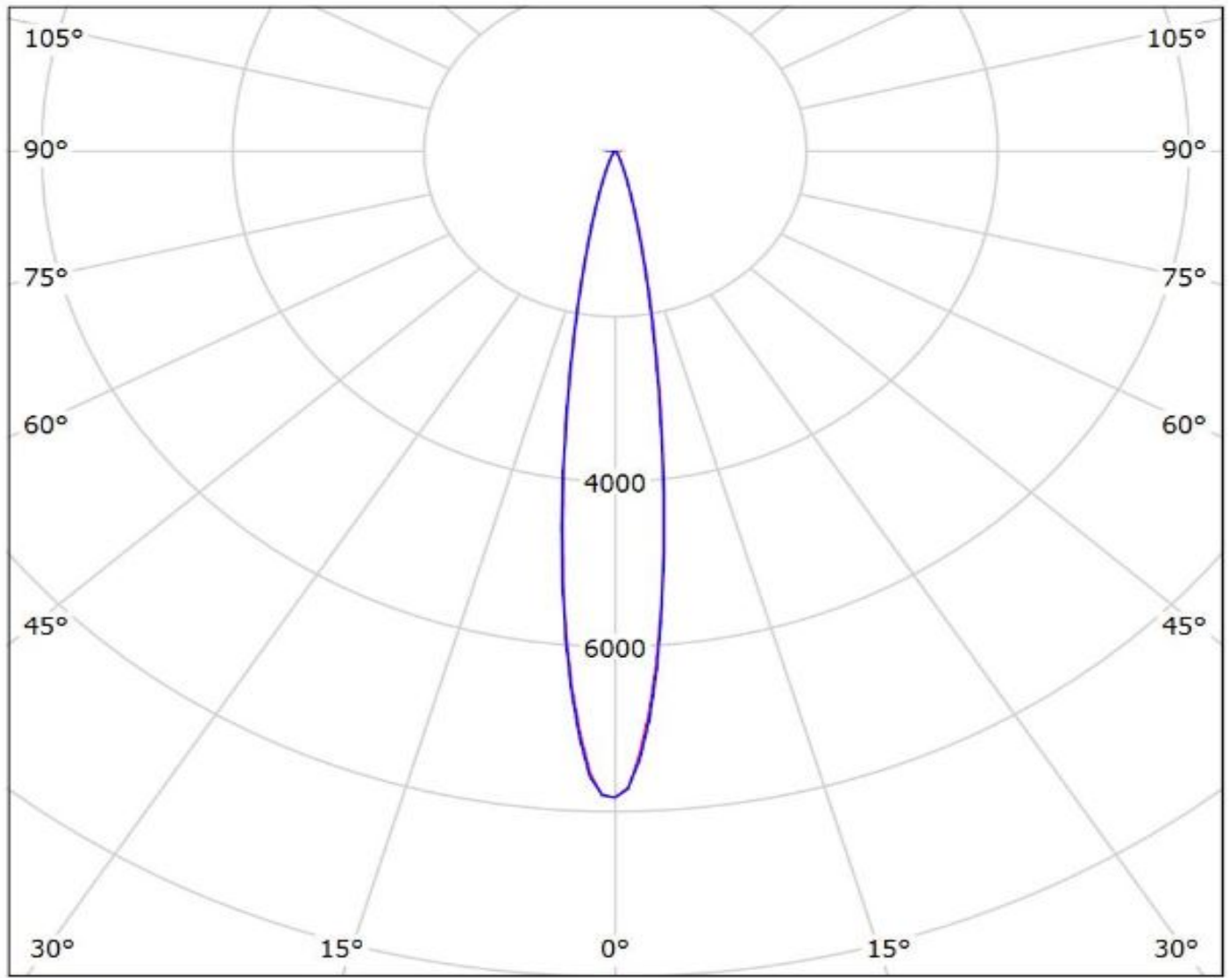
— C90 - C270

$\eta = 90\%$

Ledil CN13741_GERI-RZ_(MC-E_RGBW) / LDC (Polar)

Luminaire: Ledil CN13741_GERI-RZ_(MC-E_RGBW)

Lamps: 1 x CREE_MC-E_RGBW_170.896lm@250mA_P=2.8W_I=0.25A



cd/klm

— C0 - C180

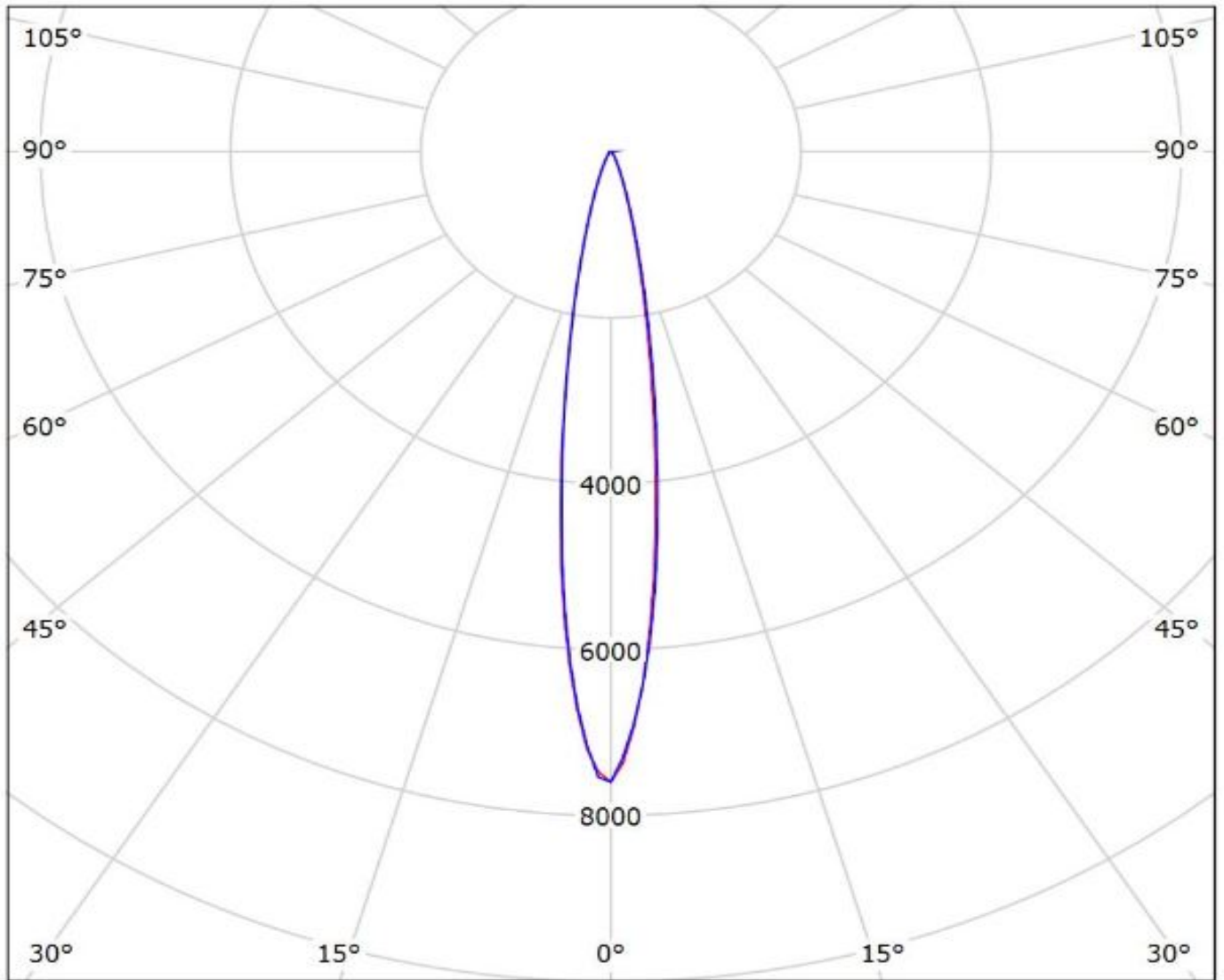
— C90 - C270

$\eta = 90\%$

Ledil CN13741_GERI-RZ_(LUXEON_Z_RGBW) / LDC (Polar)

Luminaire: Ledil CN13741_GERI-RZ_(LUXEON_Z_RGBW)

Lamps: 1 x LUXEON_Z_RGBW_165.276lm@250mA_P=2.6W_I=0.25A



cd/klm

— C0 - C180 — C90 - C270

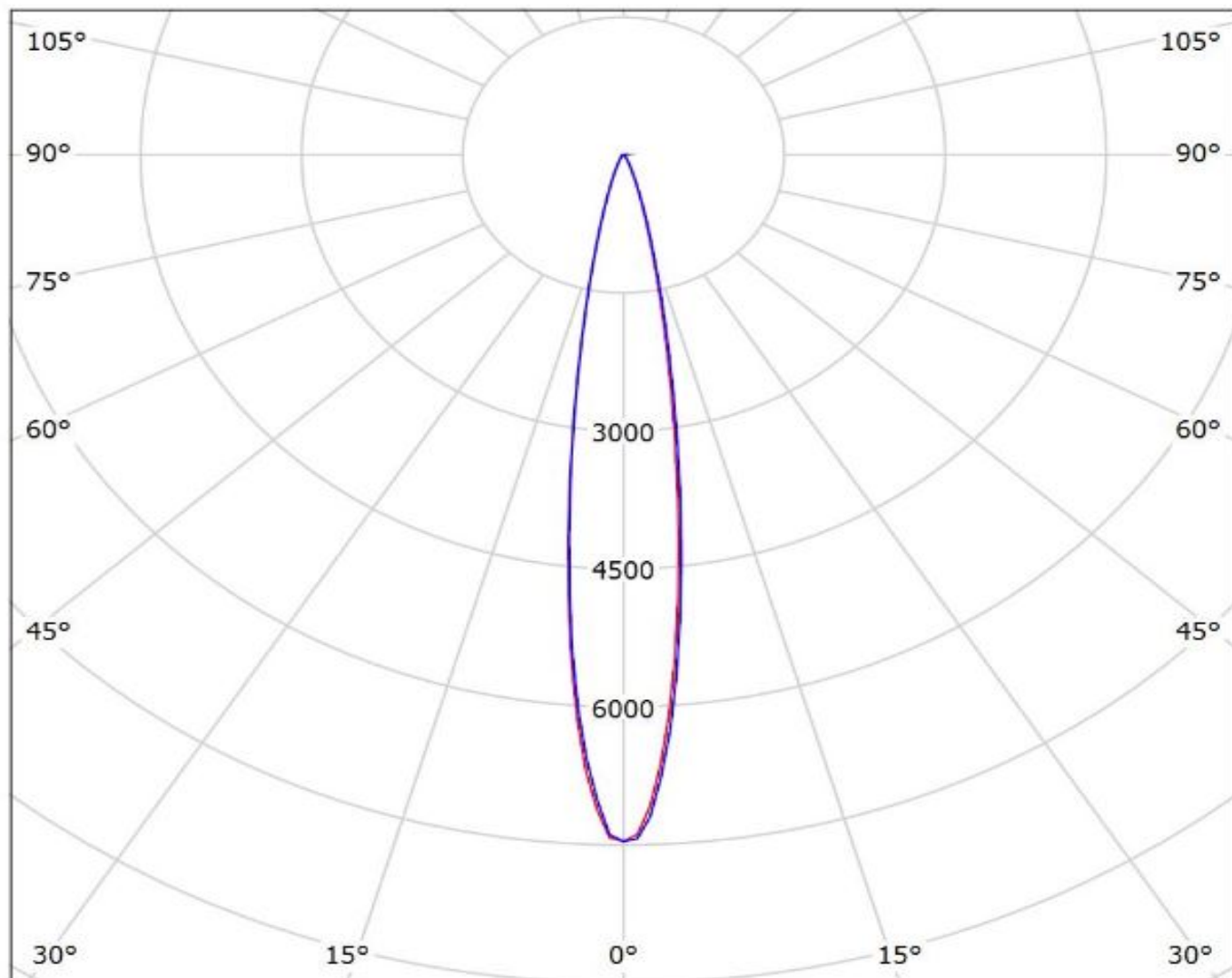
$\eta = 89\%$

Ledil CN13741_GERI-RZ_(XM-L_RGBW) / LDC (Polar)

Luminaire: Ledil CN13741_GERI-RZ_(XM-L_RGBW)

Lamps: 1 x CREE_XM-L_RGBW_(XMLCTW-A0-0000-00C3AAAA1)

_215.885lm@250mA_P=2.7W_I=0.25A



cd/klm

— C0 - C180

— C90 - C270

$\eta = 90\%$

NOTE: The typical divergence will be changed by different color, chip size and chip position tolerance. The typical total divergence is the full angle measured where the luminous intensity is half of the peak value.