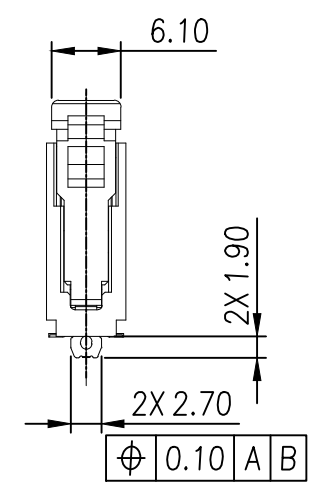
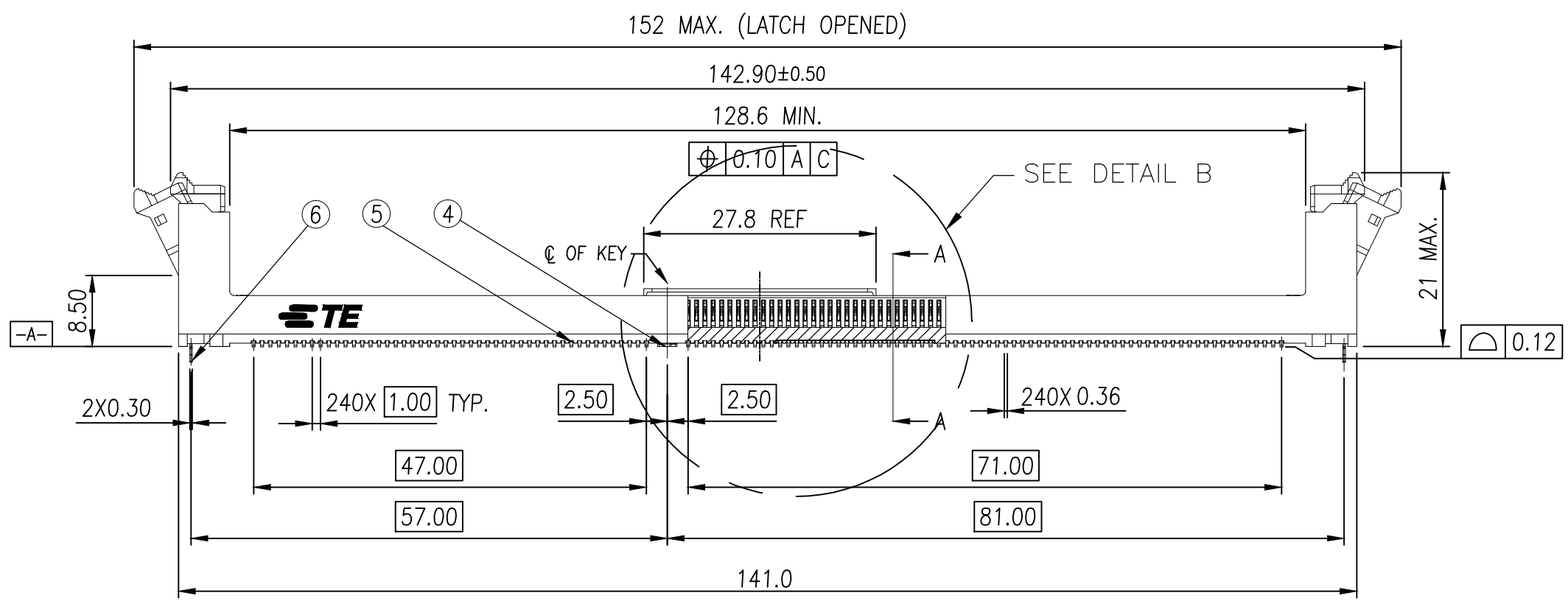
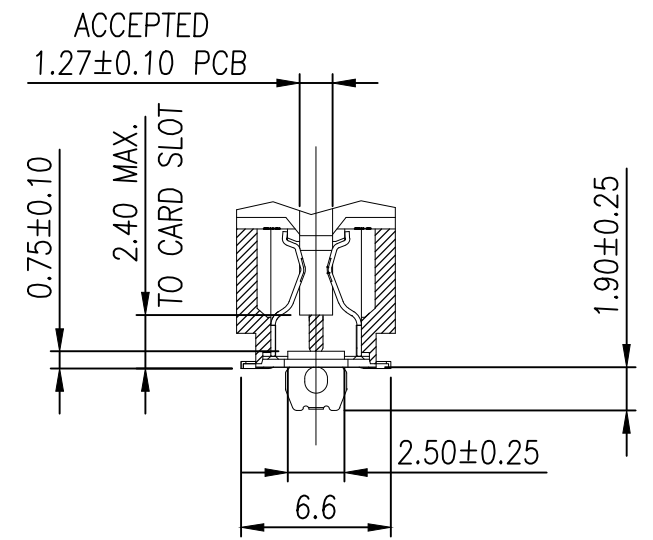
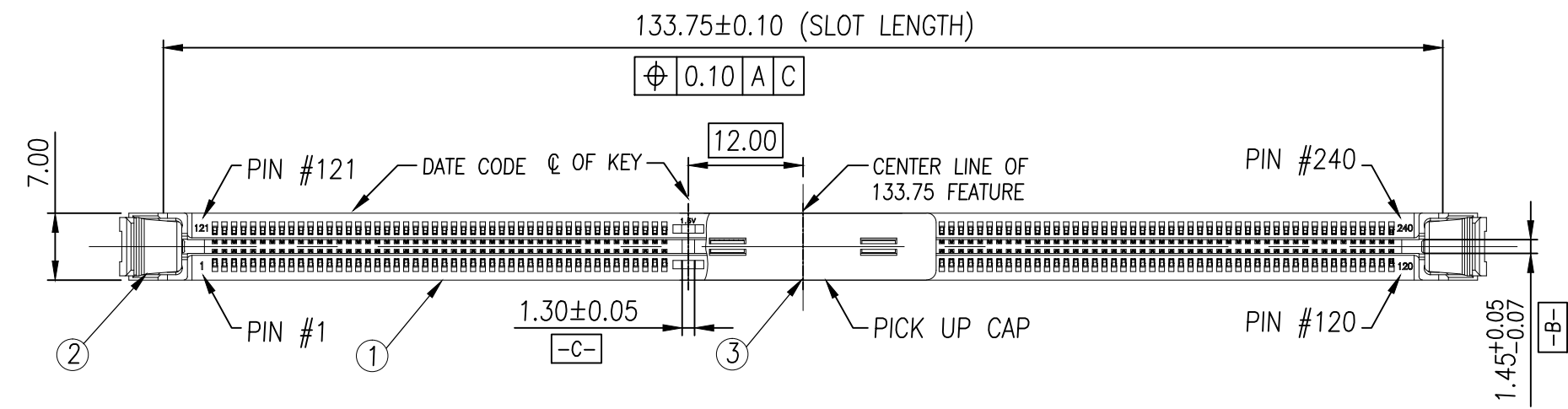



THIS DRAWING IS UNPUBLISHED. RELEASED FOR PUBLICATION  
 © COPYRIGHT - By - ALL RIGHTS RESERVED.

LOC	DIST	REVISIONS			
P	LTR	DESCRIPTION	DATE	DWN	APVD
-	-	E	RELEASED PER ECR-15-004717	25MAR2015	D.Z S.L



2	SIDE TAB	⑥
240	CONTACT	⑤
1	CENTER PEG	④
1	CAP	③
2	LATCH	②
1	HOUSING	①
QTY	NAME	ITEM

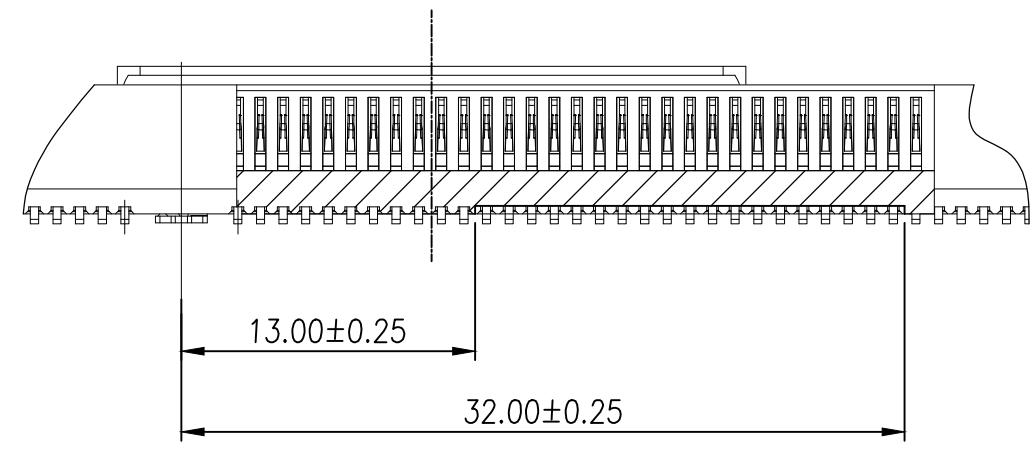
THIS DRAWING IS A CONTROLLED DOCUMENT.		DWN	SIMON WU	30DEC2010	 TE Connectivity
DIMENSIONS: mm		CHK	BILL WONG	30DEC2010	
TOLERANCES UNLESS OTHERWISE SPECIFIED:		APVD	COREL WANG	30DEC2010	
0 PLC ± - 1 PLC ± 0.30 2 PLC ± 0.20 3 PLC ± 0.013 4 PLC ± - ANGLES ± 1°		NAME		SOCKET ASSEMBLY VLP DDR-III, SMT, 240P	
MATERIAL SEE NOTE		FINISH SEE NOTE		PRODUCT SPEC	108-115019
		WEIGHT		7.06	APPLICATION SPEC
		SIZE	A3	CAGE CODE	00779
		DRAWING NO		C-1932810	
		RESTRICTED TO		-	
		CUSTOMER DRAWING		SCALE	3:2
		SHEET		1 OF 6	
		REV		E	

THIS DRAWING IS UNPUBLISHED. RELEASED FOR PUBLICATION  
 © COPYRIGHT - By - ALL RIGHTS RESERVED.

LOC	DIST	REVISIONS					
		P	LTR	DESCRIPTION	DATE	DWN	APVD
-	-	-	-	SEE SHEET 1	-	-	-

NOTES:

1. MATERIAL:
  - 1.1 HOUSING: THERMOPLASTIC, UL94V-0; COLOR: SEE TABLE.
  - 1.2 LATCH: THERMOPLASTIC, UL94V-0; COLOR: SEE TABLE.
  - 1.3 CAP: THERMOPLASTIC, UL94V-0; COLOR: BLACK.
  - 1.4 CENTER PEG: COPPER ALLOY.
  - 1.5 CONTACT: COPPER ALLOY.
  - 1.6 SIDE TAB: COPPER ALLOY.
2. FINISH:
  - 2.1 CONTACT:
    - GOLD PLATING THICKNESS ON CONTACT AREA: SEE TABLE.
    - 100u" MIN. MATTE-TIN PLATING ON SOLDER TAIL AREA.
    - 90u" MIN. NICKEL UNDERPLATING OVERALL FOR 20u" GOLDPLATING.
    - 50u" MIN. NICKEL UNDERPLATING OVERALL FOR OTHER GOLDPLATING.
  - 2.2 CENTER PEG AND SIDE TAB:
    - 100u" MIN. MATTE-TIN PLATING ON SOLDER TAIL AREA.
    - 50u" MIN. NICKEL UNDERPLATING OVERALL.
3. CONFORMS TO THE REQUIREMENTS OF EIA/ECA-364-1000.01A (CONTROLLED ENVIRONMENT APPLICATIONS, AND TE PRODUCT SPECIFICATION.)
4. LLCR SPEC.: 30mΩ MAX. INITIAL, THE CHANGE NOT GREATER THAN 20mΩ AFTER ALL ENVIRONMENT TEST.
5. LLCR SPEC.: 10mΩ MAX. INITIAL, THE CHANGE NOT GREATER THAN 10mΩ AFTER ALL ENVIRONMENT TEST.



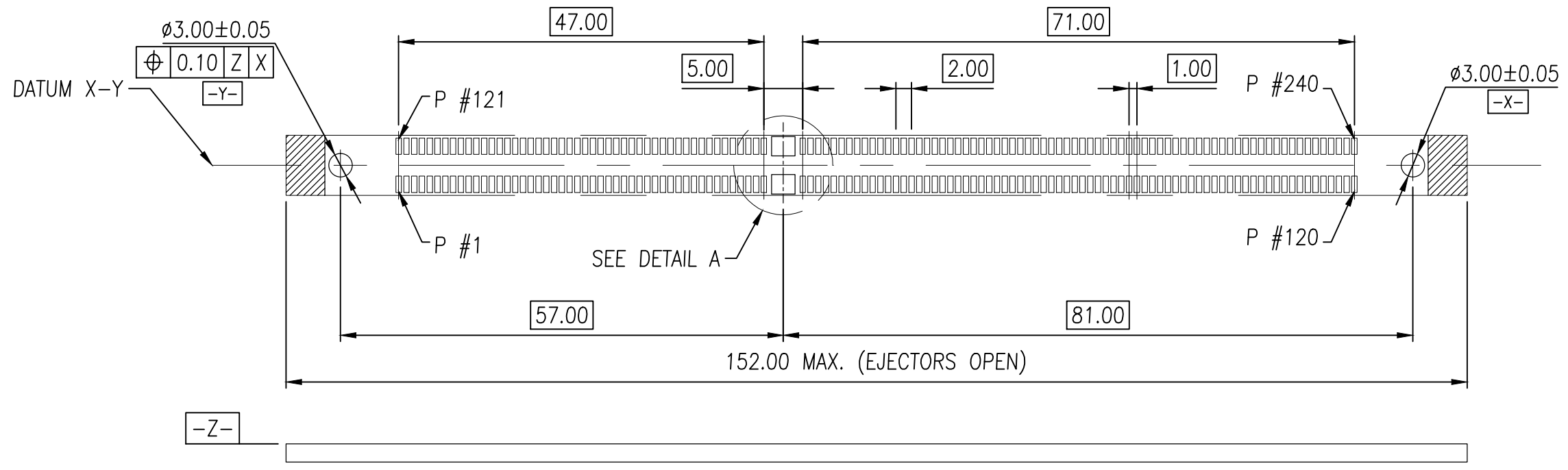
DETAIL B  
(3 : 1)

CAP OPTION	LLCR SPEC.	GOLD PLATING	HOUSING COLOR	LATCH COLOR	PART NUMBER
WITHOUT CAP	SEE NOTE 5	20u" MIN.	BLACK	GREEN (375C)	1-1932810-0
		20u" MIN.	BLACK	BLACK	1932810-9
		20u" MIN.	BLACK	NATURAL	1932810-8
WITH CAP	SEE NOTE 5	20u" MIN.	BLACK	GREEN (375C)	1932810-7
		20u" MIN.	BLACK	BLACK	1932810-6
		20u" MIN.	BLACK	NATURAL	1932810-5
	SEE NOTE 5	15u" MIN.	BLACK	BLACK	1932810-4
		15u" MIN.	BLACK	NATURAL	1932810-3
		SEE NOTE 4	20u" MIN.	BLACK	BLACK
20u" MIN.	BLACK		NATURAL	1932810-1	

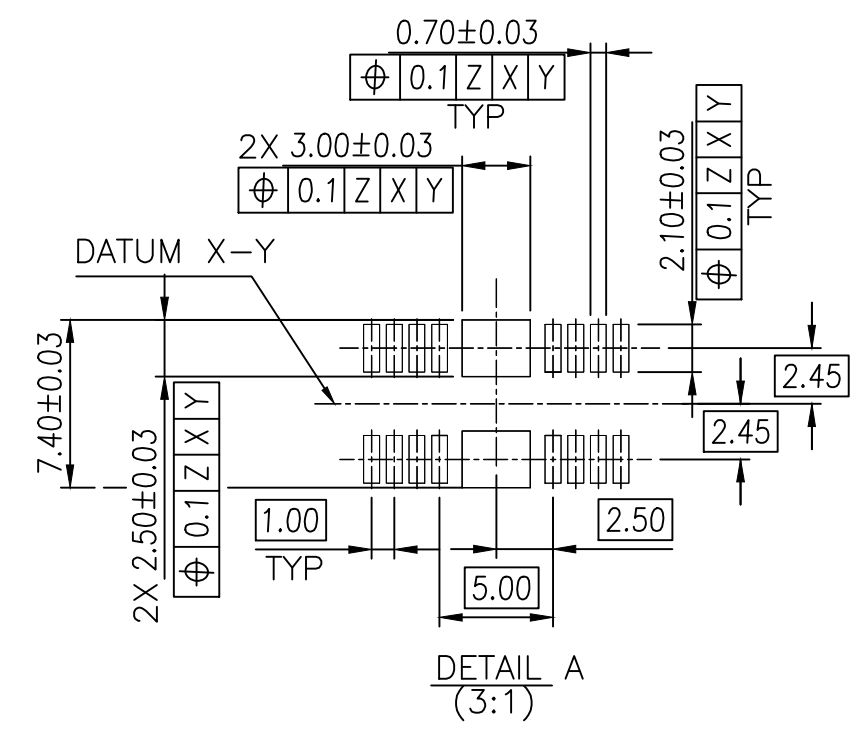
THIS DRAWING IS A CONTROLLED DOCUMENT.		DWN	-	TE Connectivity			
DIMENSIONS: mm		CHK	-				
TOLERANCES UNLESS OTHERWISE SPECIFIED:		APVD	-	NAME			
0 PLC ± - 1 PLC ± - 2 PLC ± 0.13 3 PLC ± 0.013 4 PLC ± - ± 1° ANGLES		PRODUCT SPEC	-	SOCKET ASSEMBLY VLP DDR-III, SMT, 240P			
MATERIAL SEE NOTE		APPLICATION SPEC	-				
FINISH SEE NOTE		WEIGHT	-	SIZE	CAGE CODE	DRAWING NO	RESTRICTED TO
		CUSTOMER DRAWING		A3	00779	C-1932810	-
				SCALE	SHEET	REV	
				3:2	2 of 6	E	

THIS DRAWING IS UNPUBLISHED.      RELEASED FOR PUBLICATION      - . - .  
 © COPYRIGHT - By -      ALL RIGHTS RESERVED.

LOC	DIST	REVISIONS			
P	LTR	DESCRIPTION	DATE	DWN	APVD
-	-	SEE SHEET 1	-	-	-



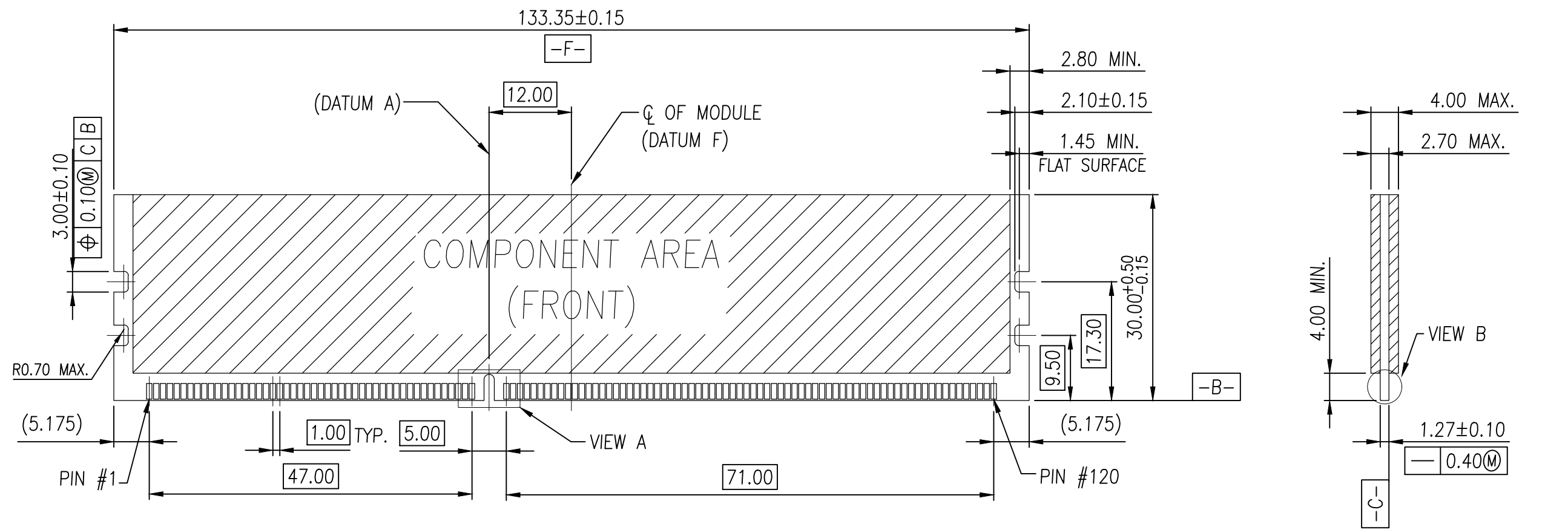
RECOMMENDED PCB LAYOUT (TOP VIEW)  
 TOLERANCE:  $\pm 0.05$



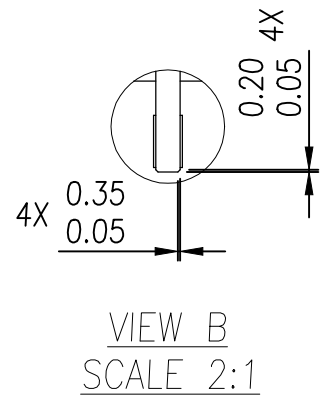
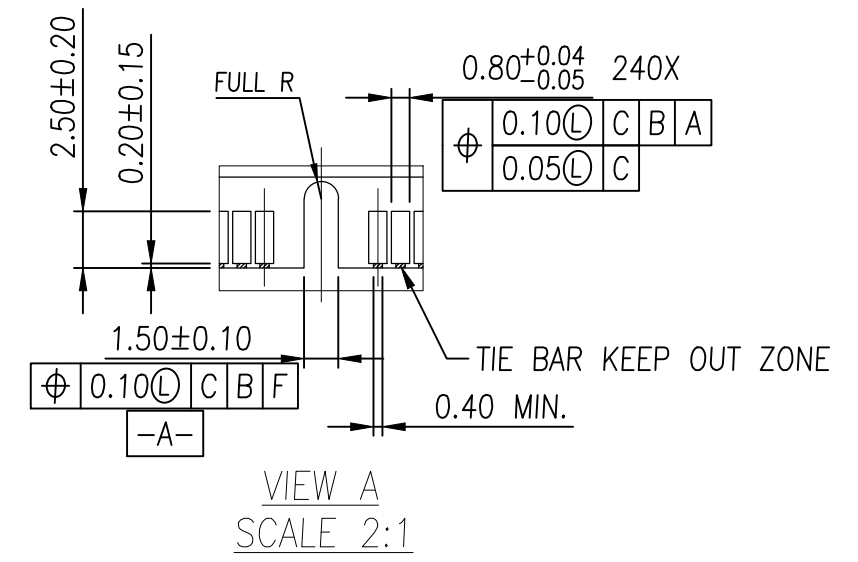
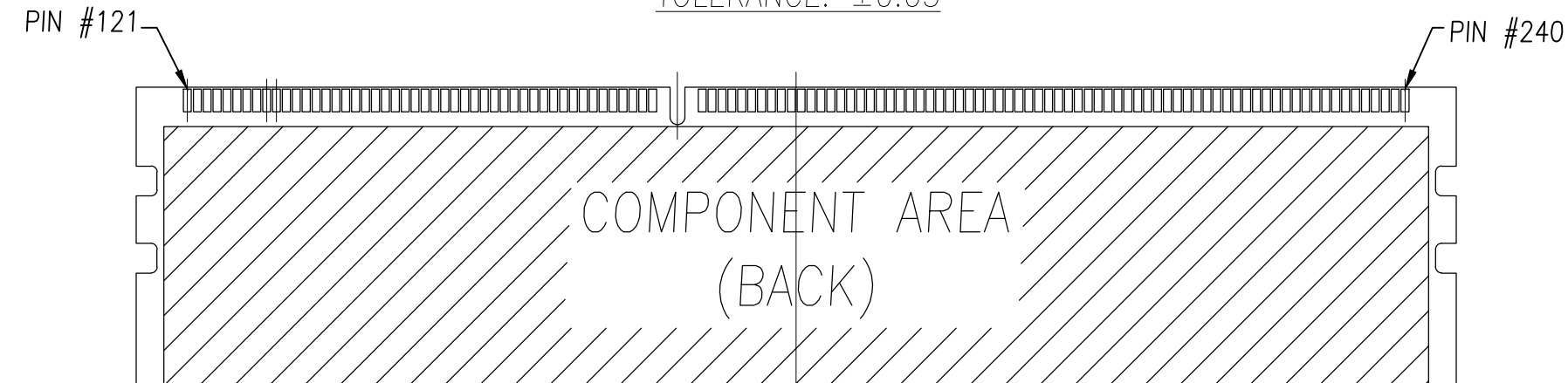
THIS DRAWING IS A CONTROLLED DOCUMENT.		DWN	TE Connectivity SOCKET ASSEMBLY VLP DDR-III, SMT, 240P				
DIMENSIONS: mm		CHK					
TOLERANCES UNLESS OTHERWISE SPECIFIED:		APVD					
0 PLC $\pm -$ 1 PLC $\pm -$ 2 PLC $\pm 0.13$ 3 PLC $\pm 0.013$ 4 PLC $\pm -$ ANGLES $\pm 1^\circ$		NAME					
MATERIAL SEE NOTE		FINISH SEE NOTE	PRODUCT SPEC	SIZE	CAGE CODE	DRAWING NO	RESTRICTED TO
			APPLICATION SPEC	A3	00779	C-1932810	-
CUSTOMER DRAWING			WEIGHT	SCALE	SHEET	REV	
			-	3:2	3 OF 6	E	

THIS DRAWING IS UNPUBLISHED. RELEASED FOR PUBLICATION ALL RIGHTS RESERVED.

LOC	DIST	REVISIONS			
P	LTR	DESCRIPTION	DATE	DWN	APVD
-	-	SEE SHEET 1	-	-	-



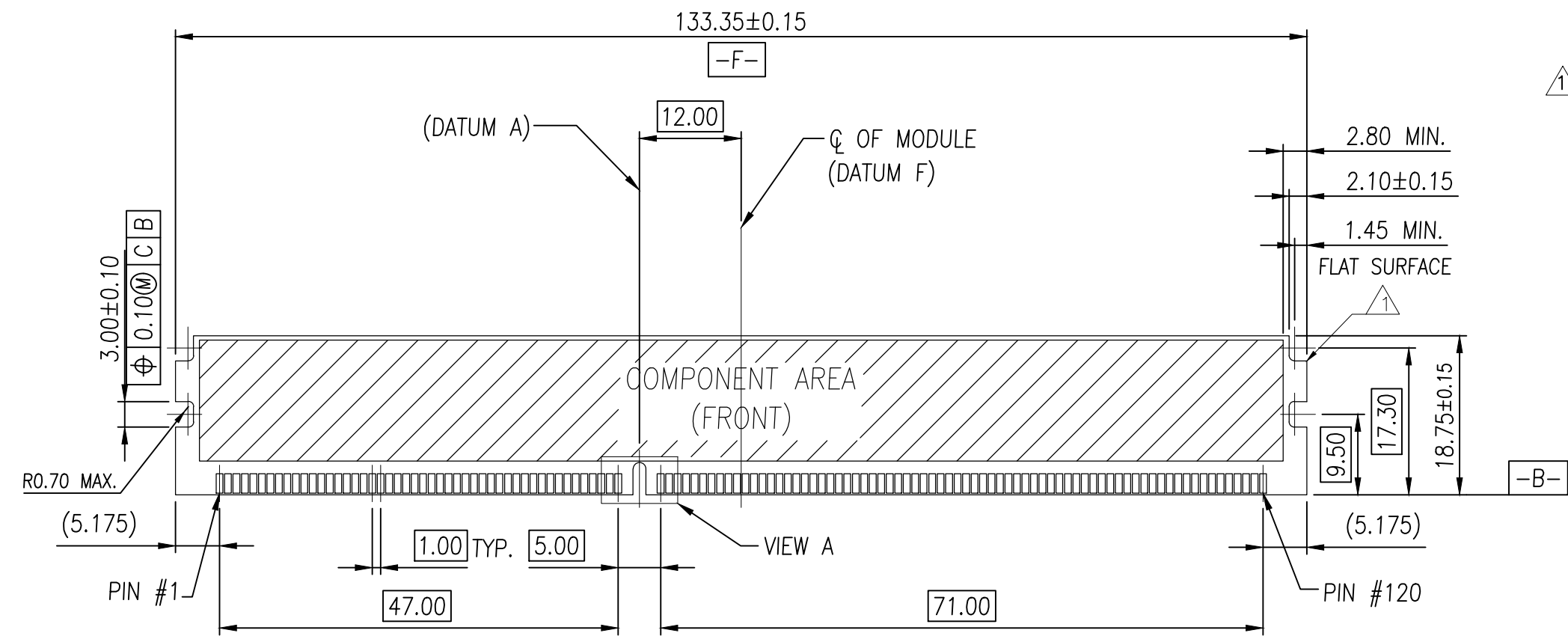
RECOMMENDED MODULE PCB LAYOUT TOLERANCE: ±0.05



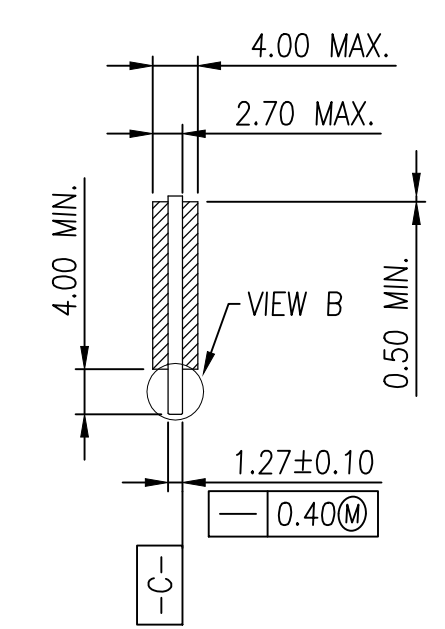
THIS DRAWING IS A CONTROLLED DOCUMENT.		DWN	-	TE Connectivity SOCKET ASSEMBLY VLP DDR-III, SMT, 240P	RESTRICTED TO	
DIMENSIONS: mm	TOLERANCES UNLESS OTHERWISE SPECIFIED: 0 PLC ± - 1 PLC ± - 2 PLC ± 0.13 3 PLC ± 0.013 4 PLC ± - ANGLES ± 1°	CHK	-		NAME	
		APVD	-		SIZE	
MATERIAL SEE NOTE	FINISH SEE NOTE	PRODUCT SPEC	-		CAGE CODE	DRAWING NO
		APPLICATION SPEC	-	A3 00779	C-1932810	3:2
		WEIGHT	-	CUSTOMER DRAWING		SHEET
				4 OF 6		REV
				E		

THIS DRAWING IS UNPUBLISHED. RELEASED FOR PUBLICATION  
 © COPYRIGHT - By - ALL RIGHTS RESERVED.

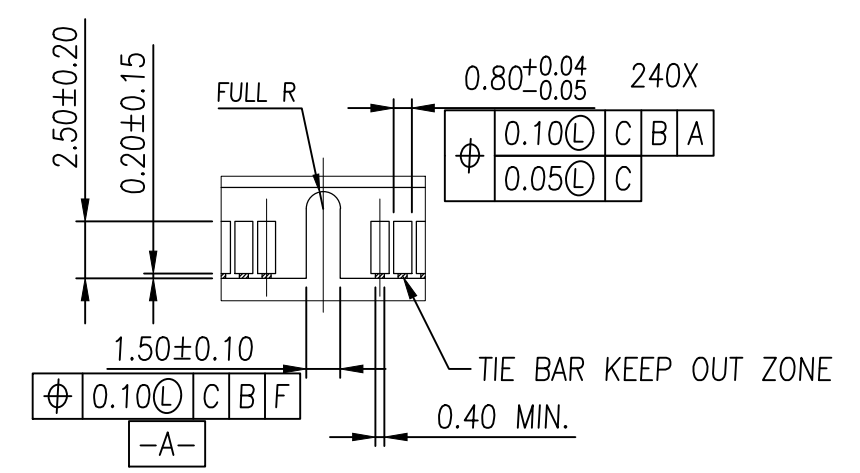
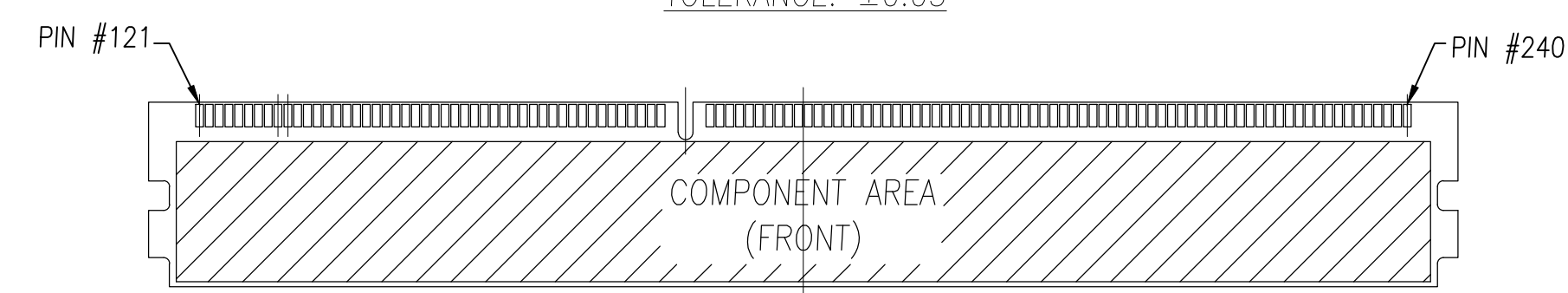
LOC	DIST	REVISIONS			
P	LTR	DESCRIPTION	DATE	DWN	APVD
-	-	SEE SHEET 1	-	-	-



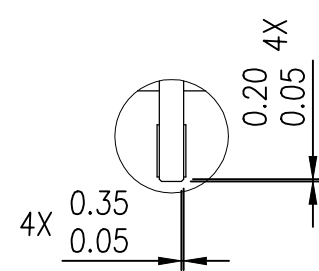
NOTES:  
 1. FOR STD VLP MODULE, THE LATCH OF CONNECTOR IS LOCKED BY UPPER NOTCH.



RECOMMENDED MODULE PCB LAYOUT  
 TOLERANCE: ±0.05



VIEW A  
 SCALE 2:1



VIEW B  
 SCALE 2:1

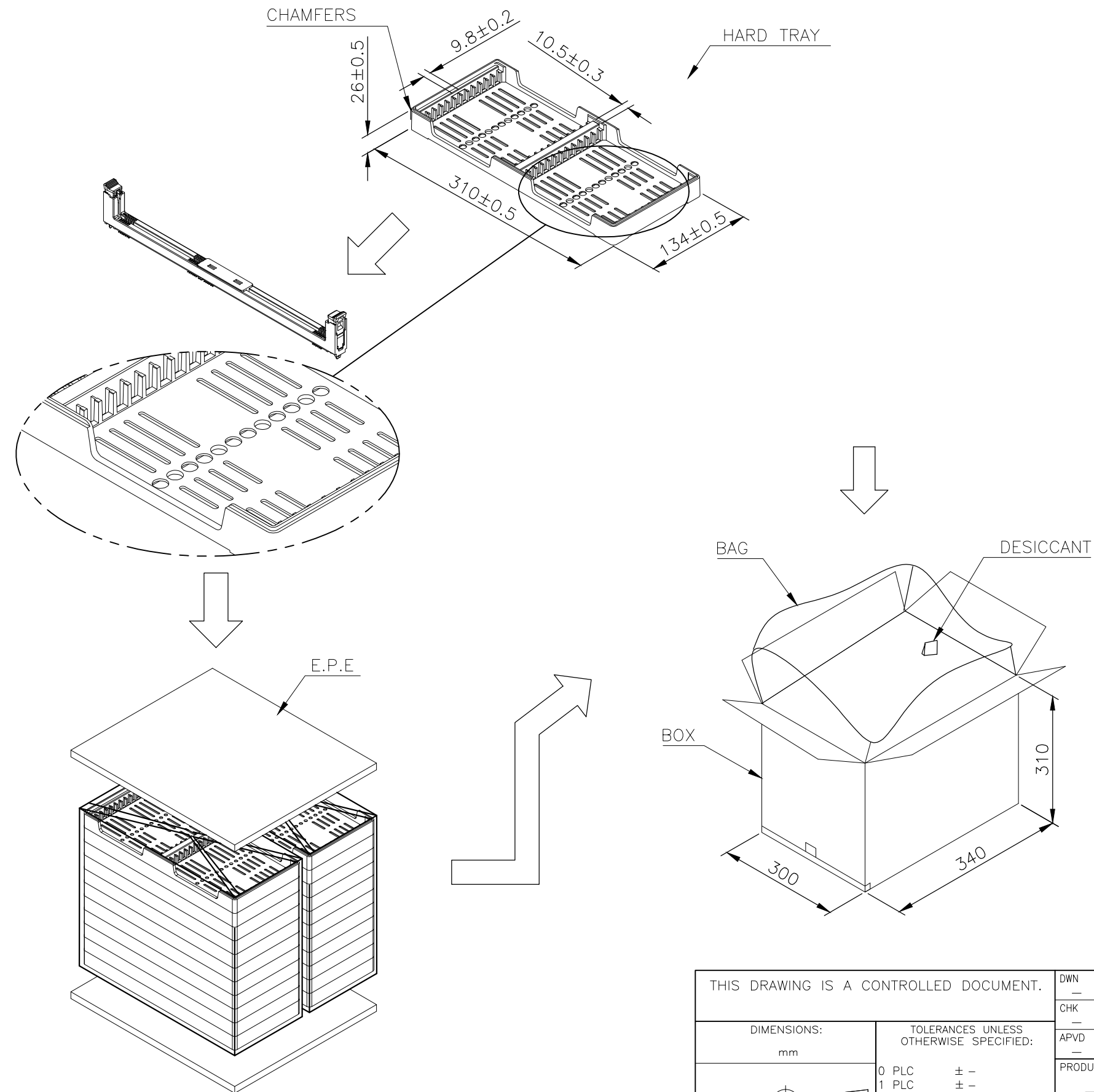
THIS DRAWING IS A CONTROLLED DOCUMENT.		DWN	-		
DIMENSIONS: mm		CHK	-		
TOLERANCES UNLESS OTHERWISE SPECIFIED:		APVD	-		
0 PLC	± -	PRODUCT SPEC	-		
1 PLC	± -	APPLICATION SPEC	-		
2 PLC	± 0.13	SIZE	CAGE CODE	DRAWING NO	RESTRICTED TO
3 PLC	± 0.013	A3	00779	C-1932810	-
4 PLC	± -	WEIGHT	-		
ANGLES	± 1°	CUSTOMER DRAWING			
MATERIAL	SEE NOTE	SCALE		SHEET	REV
		3:2		5 OF 6	E



SOCKET ASSEMBLY  
 VLP DDR-III, SMT, 240P

THIS DRAWING IS UNPUBLISHED. RELEASED FOR PUBLICATION  
 © COPYRIGHT - By - ALL RIGHTS RESERVED.

LOC	DIST	REVISIONS					
		P	LTR	DESCRIPTION	DATE	DWN	APVD
-	-	-	-	SEE SHEET 1	-	-	-



- NOTES :
- PACKING MATERIAL MET TE SPEC TEC-138-702.
  - \* CADMIUM AND CADMIUM COMPOUNDS CONTENT:  
5 PPM UNDER (PLASTIC, RUBBER, INK, PIGMENT, PAINT)
  - \* LEAD, CADMIUM, CHROM VI AND MERCURY IN PACKAGING MATERIALS CONTENT: 100 PPM (COMBINED) UNDER.
1. MATERIAL :
- TRAY: **ABS**, COLOR: BLACK.
  - CARTON: CORRUGATED FIBER
  - BOX: CORRUGATED FIBER
  - TRANSPARENT BAG: PE, SIZE: 500mm\*380mm\*0.06mm
2. EACH BAG SHALL BE INCLUDED:
- \* DESICCANT

9.7 KG	3.4 KG	24	20	480
GROSS WEIGHT	NET WEIGHT	PCS/ TRAY	TRAY/ BOX	PCS/ BOX

THIS DRAWING IS A CONTROLLED DOCUMENT.		DWN	TE Connectivity SOCKET ASSEMBLY VLP DDR-III, SMT, 240P				
DIMENSIONS: mm		CHK					
		APVD					
TOLERANCES UNLESS OTHERWISE SPECIFIED: 0 PLC ± - 1 PLC ± - 2 PLC ± 0.13 3 PLC ± 0.013 4 PLC ± - ANGLES ± 1°		PRODUCT SPEC					
MATERIAL SEE NOTE		FINISH	APPLICATION SPEC	SIZE	CAGE CODE	DRAWING NO	RESTRICTED TO
SEE NOTE		SEE NOTE	WEIGHT	A3	00779	C-1932810	-
CUSTOMER DRAWING			SCALE	N/A	SHEET	6 OF 6	REV E