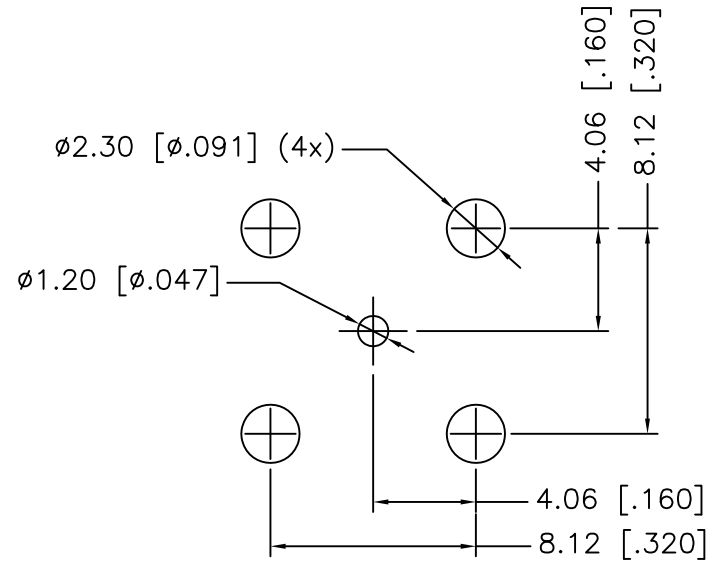
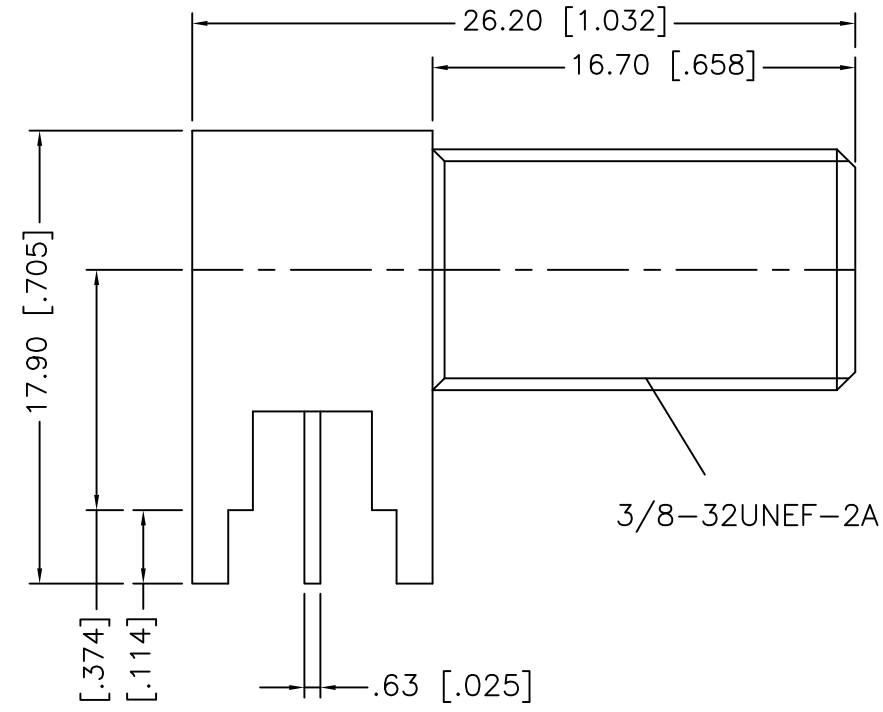
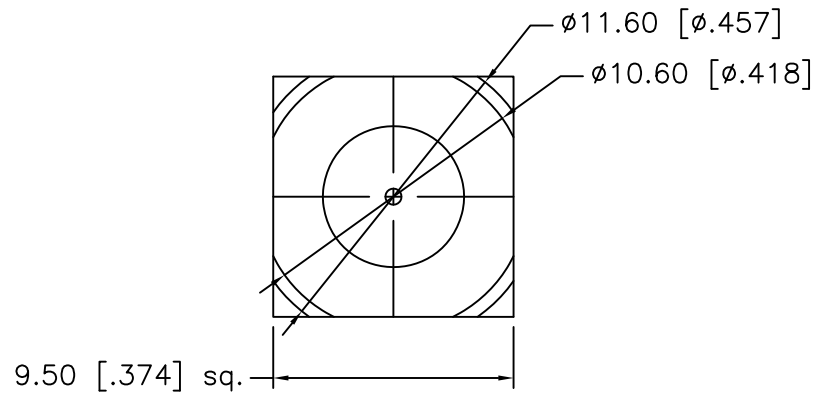


REV.	DATE	ECR NO.	DESCRIPTION
A	09/22/99	-	ADD REFERANCE NO. 51-0838
B	05/14/06	-	MODIFY BODY AND CONTACT PLATING TO BRT. TIN
C	05/20/08	-	REVISE BODY PLATING TO NICKEL, CONTACT PLATING TO MATTE TIN
D	01/22/15	2858	ADDED NOTE 3 & 4, NOTE 2 WAS REF: 51-0838



PCB MOUNTING PATTERN



NOTE:

- CONTACT PLATING: BRIGHT TIN PL. 200 MIN. THICK OVER NICKEL PL. 50 MIN. THICK OVER COPPER PL. 100 MIN. THICK.
- BODY PLATING: NICKEL PLATE 100 MIN. OVER COPPER PLATE 50 MIN.
- NOT SUITABLE FOR REFLOW SOLDER PROCESSING, HAND OR WAVE SOLDER ONLY.
- VSWR: 1.500 MAX (DC-1.0 GHZ)

REV.	DATE	ECR NO.	DESCRIPTION
8			
7			
6			
5			
4	INSULATOR	DELRIN	NATURAL 1
3	CONTACT PIN	BRASS	MATTE TIN 2
2	INSULATOR	P.P.	NATURAL 1
1	HOUSING/BODY	BRASS	NICKEL 1
	DESCRIPTION	MATERIAL	FINISH QTY

UNLESS OTHERWISE SPECIFIED DIMENSIONS ARE IN MILLIMETERS. DIMENSIONS IN [] ARE IN INCHES AND FOR CUSTOMER REFERENCE ONLY.		APPROVALS	DATE	<h1 style="color: blue; text-align: center;">Amphenol Connex</h1> <p style="text-align: center;">PART DESCRIPTION</p> <h2 style="text-align: center;">F SERIES R/A P.C. MOUNT RECEPTACLE</h2> <p style="text-align: center;">-</p> <p style="text-align: center;">PART NO. 222131</p>
UNLESS OTHERWISE SPECIFIED TOLERANCES FOR MILLIMETERS ARE:		DRAWN G.R.S.	05/20/08	
0.5 - 8mm ± 0.20mm		CHECKED		
8 - 30mm ± 0.40mm		ISSUED		
30 - 120mm ± 0.50mm		SHEET 1 OF 1		
UNLESS OTHERWISE SPECIFIED TOLERANCES FOR INCHES ARE:		CAD FILE		DWG. NO. 222131.DWG
.020 - .315 = ± 0.007"		C:/222/222131.DWG		REV. D
.315 - 1.180 = ± 0.015"				SIZE A
1.180 - 4.724 = ± 0.020"				SCALE NA
DO NOT SCALE DRAWING				