

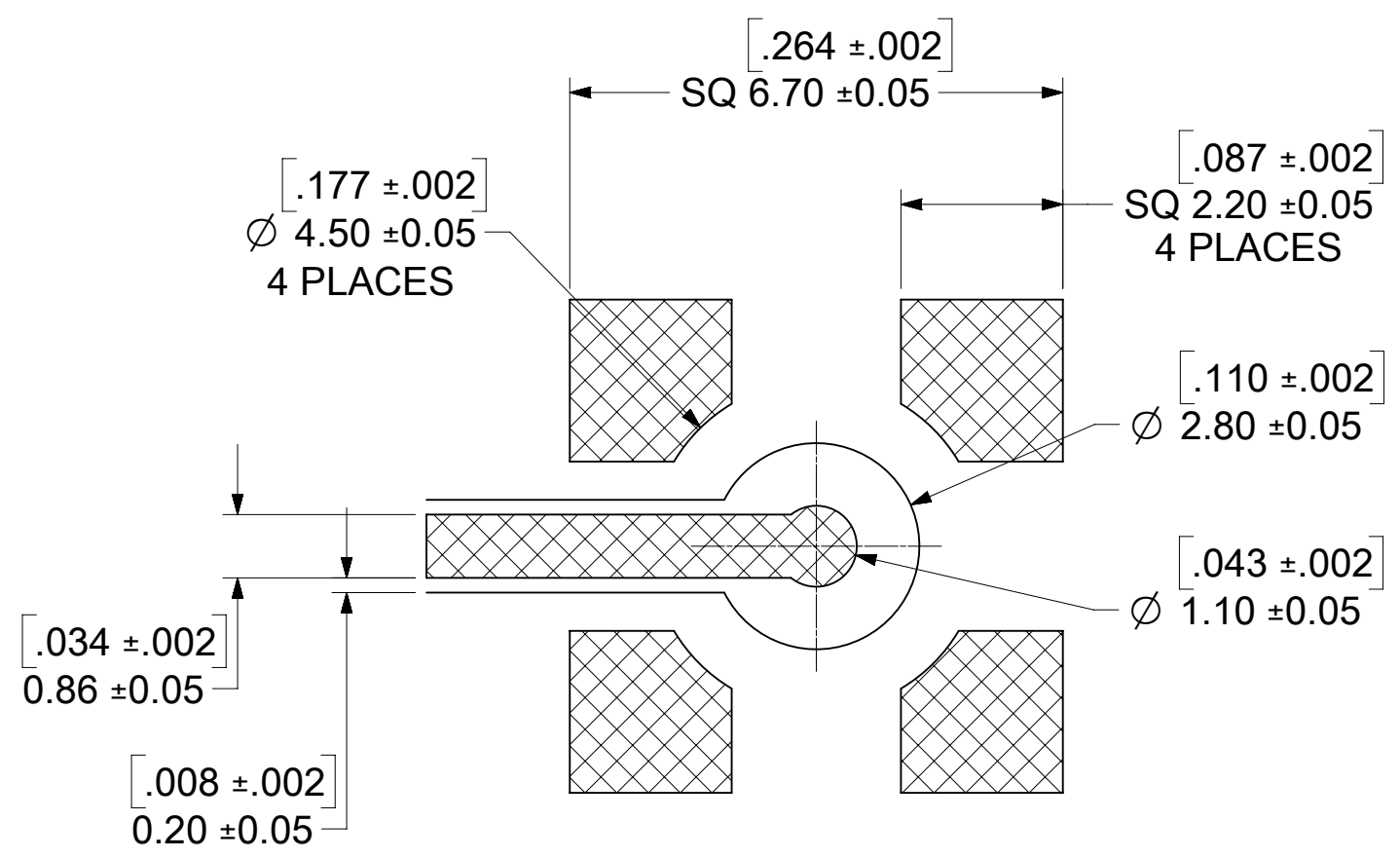
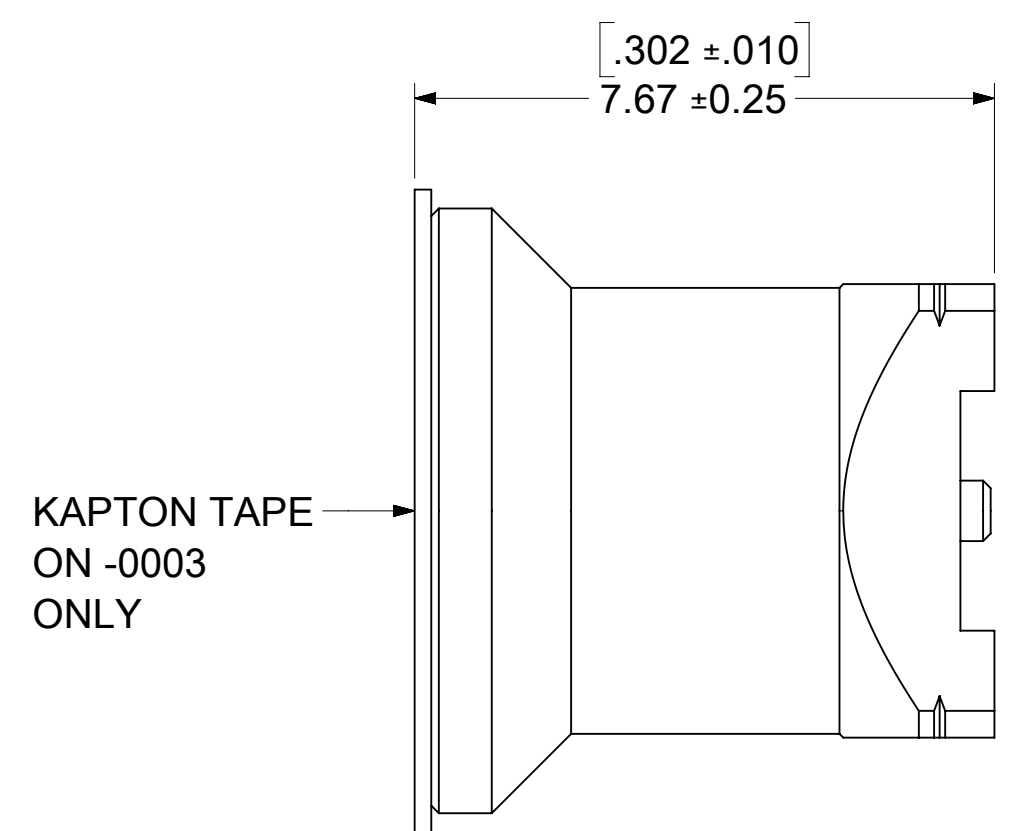
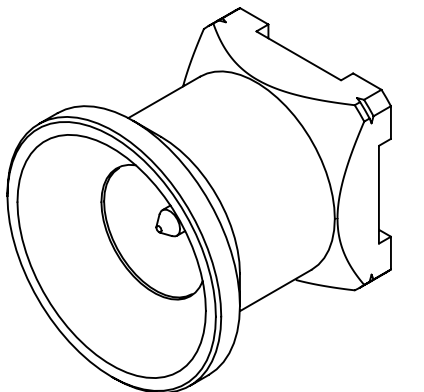
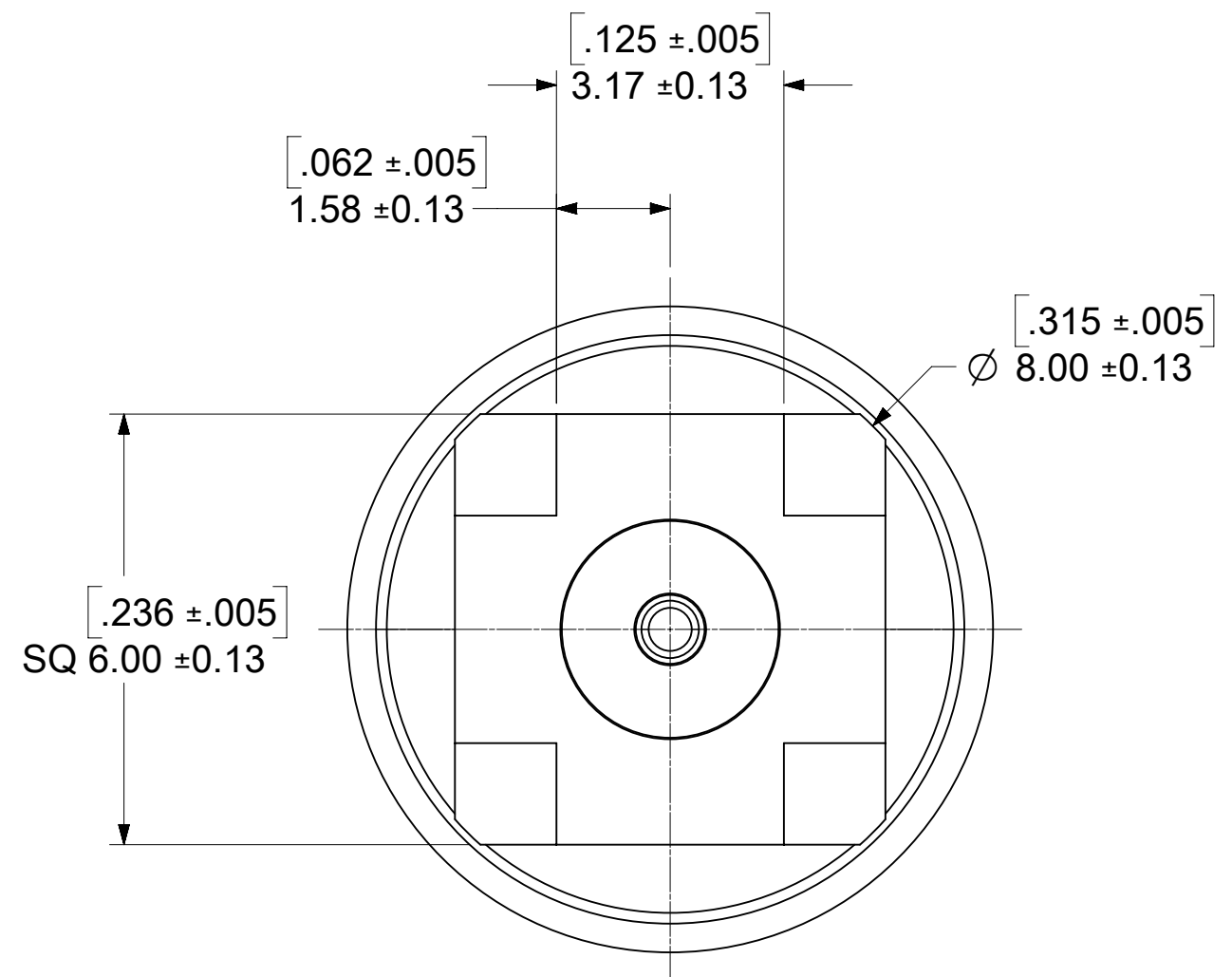
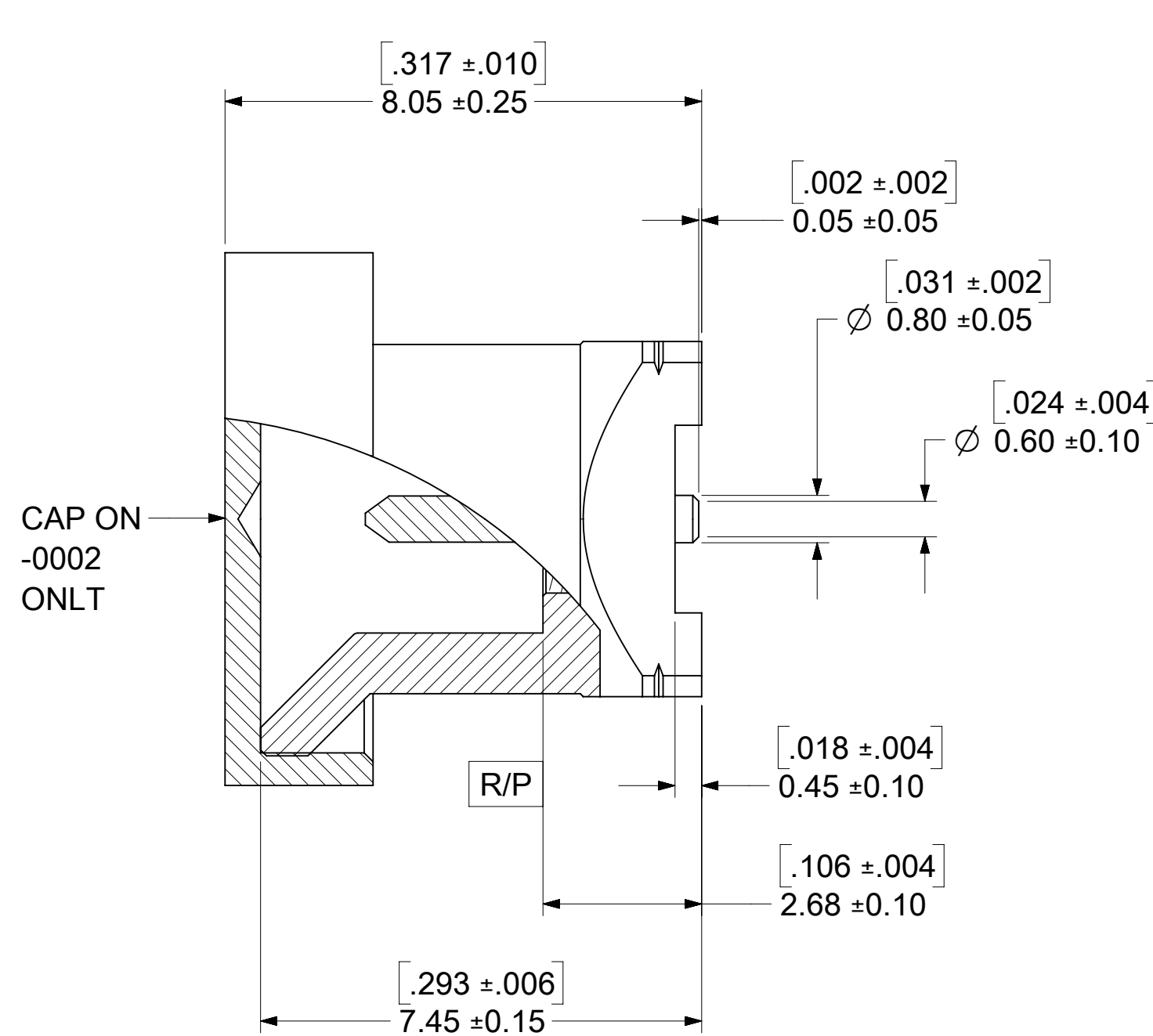
MATERIALS AND FINISHES

BODY, CONTACT: BRASS  
 PLATED GOLD (8U" MIN)  
 OVER NICKEL PHOSPHOR (80U" MIN)  
 OVER COPPER (20U" MIN)

INSULATOR: PTFE

CAP: PTFE (ON -0002 ONLY)

TAPE DOT: KAPTON (ON -0003 ONLY)



RECOMMENDED PCB LAYOUT

73420-0003	TAPE AND REEL WITH KAPTON	500
73420-0002	TAPE AND REEL WITH CAP	500
73420-0001	TRAY	80
PART NO.	PACKAGING	QTY

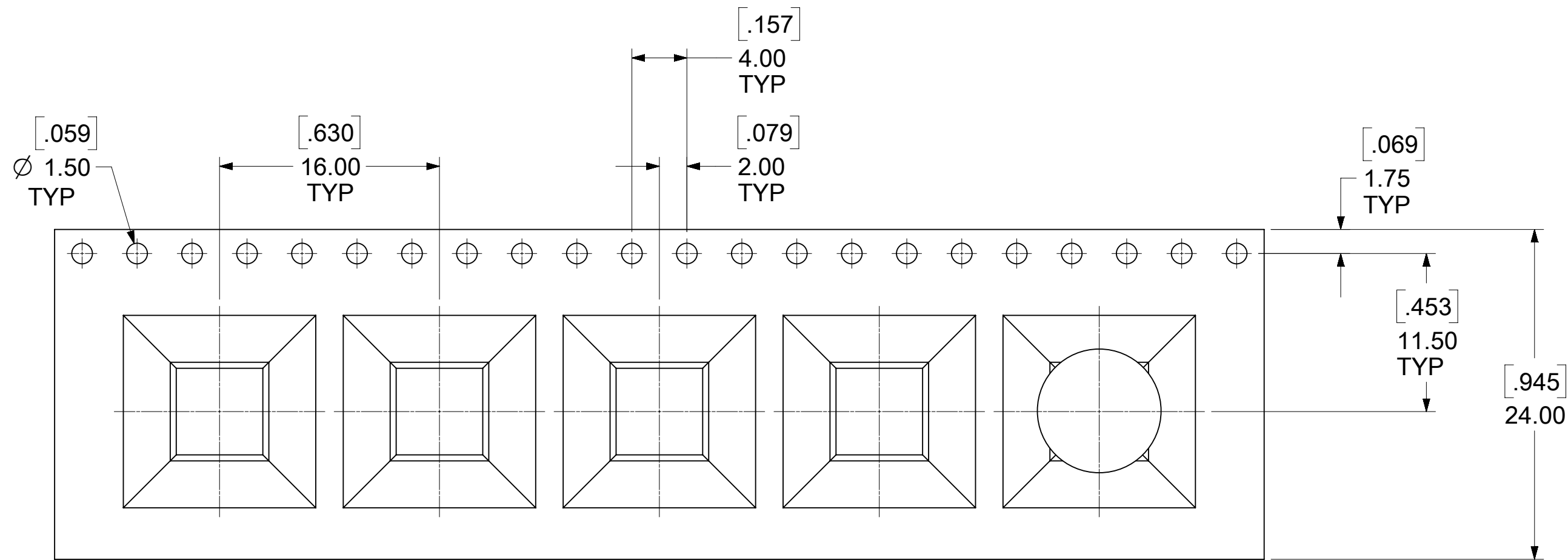
PS-89675-3760	ELEC/MECH PERFORMANCE
SPECIFICATION	DESCRIPTION

C2	2017/7/31	ADD TOLERANCE PER EWR #11168-A
REV	DATE	DESCRIPTION

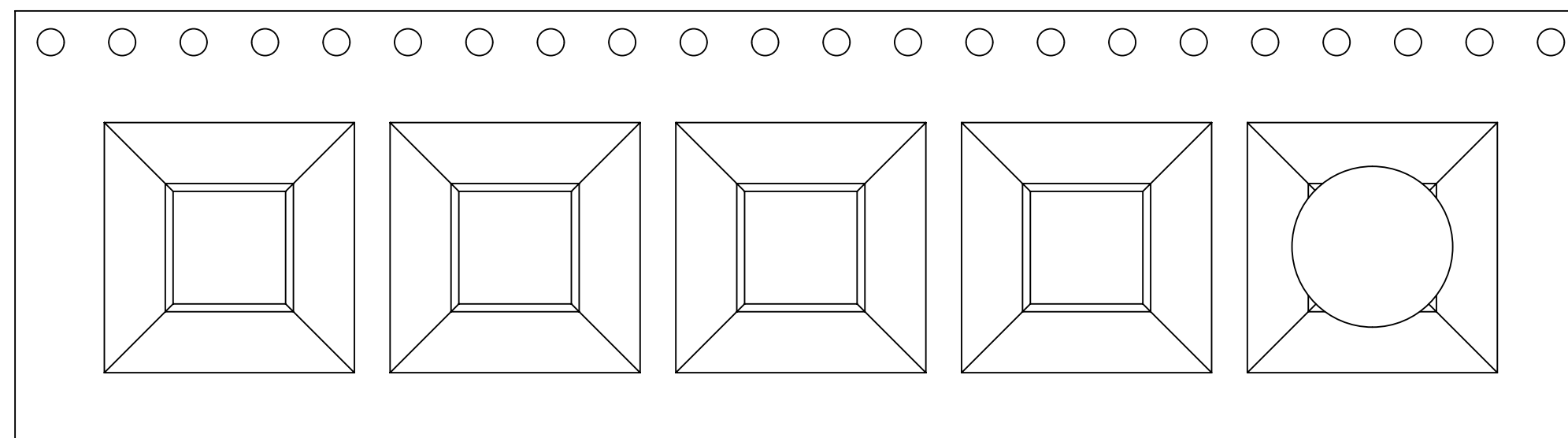
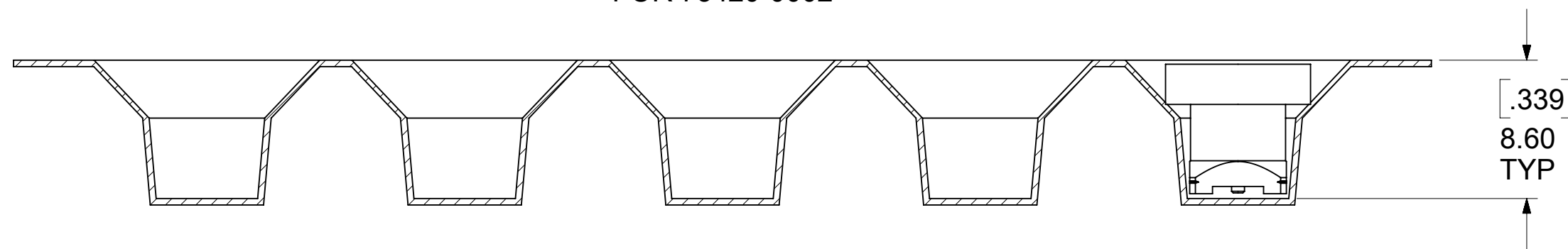
FUNCTIONAL SYMBOLS	THIS DRAWING CONTAINS INFORMATION THAT IS PROPRIETARY TO MOLEX ELECTRONIC TECHNOLOGIES, LLC AND SHOULD NOT BE USED WITHOUT WRITTEN PERMISSION		
$\nabla_A = 0$ $\nabla_C = 0$ $\nabla_P = 0$	DIMENSION UNITS: <b>HYBRID</b> SCALE: <b>NTS</b>	CURRENT REV DESC: OBSOLETE PART NUMBER AS PER PCN#508506	
DIVISIONAL SYMBOLS	GENERAL TOLERANCES (UNLESS SPECIFIED) ANGULAR TOL $\pm 2.0^\circ$	EC NO: 707205 DRWN: PKH CHK'D: GGA APPR: GGA	2021/11/17 2022/06/07 2022/06/07
	4 PLACES $\pm$ 3 PLACES $\pm$ 2 PLACES $\pm$ 1 PLACE $\pm$ 0 PLACES $\pm$	INITIAL REVISION: DRWN: AROBERTSON APPR: JWIENER	2010/04/15 2010/04/19
	DRAFT WHERE APPLICABLE MUST REMAIN WITHIN DIMENSIONS	THIRD ANGLE PROJECTION	DRAWING: <b>C-SIZE</b> SERIES: <b>73420</b>
		DOCUMENT NUMBER: <b>SD-73420-000</b> DOC TYPE: PSD DOC PART: 001 REVISION: <b>C3</b>	PRODUCT CUSTOMER DRAWING MATERIAL NUMBER: SEE TABLE CUSTOMER: GENERAL MARKET SHEET NUMBER: 1 OF 3



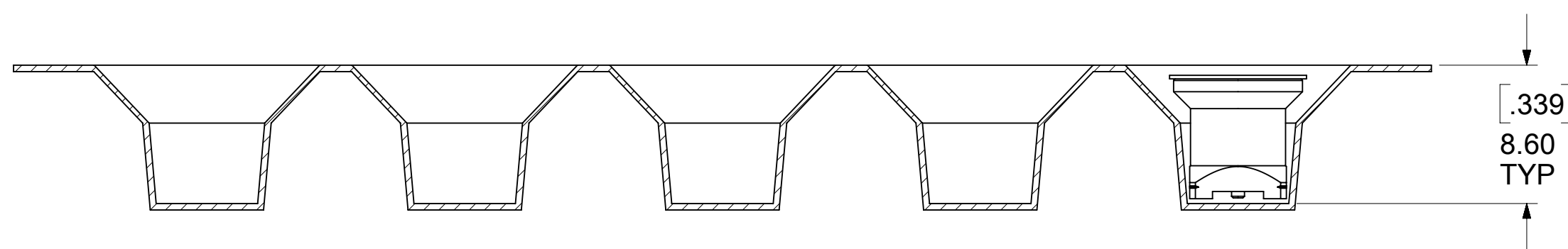
SMP-MAX PLUG SLIDE ON  
 PCB VERTICAL SMT 50 OHM SMPMAX-P/PCB,  
 EWR-4352



FOR 73420-0002



FOR 73420-0003



FUNCTIONAL SYMBOLS	THIS DRAWING CONTAINS INFORMATION THAT IS PROPRIETARY TO MOLEX ELECTRONIC TECHNOLOGIES, LLC AND SHOULD NOT BE USED WITHOUT WRITTEN PERMISSION									
	DIMENSION UNITS	SCALE	CURRENT REV DESC: OBSOLETE PART NUMBER AS PER PCN#508506							
$\nabla_A = 0$	HYBRID	NTS	EC NO: 707205 DRWN: PKH 2021/11/17 CHK'D: GGA 2022/06/07 APPR: GGA 2022/06/07							
$\nabla_C = 0$	GENERAL TOLERANCES (UNLESS SPECIFIED)									
$\nabla_P = 0$	ANGULAR TOL $\pm 2.0^\circ$									
DIVISIONAL SYMBOLS	4 PLACES	$\pm$	INITIAL REVISION: DRWN: AROBERTSON 2010/04/15 APPR: JWIENER 2010/04/19							
	3 PLACES	$\pm$								
	2 PLACES	$\pm$								
	1 PLACE	$\pm$								
	0 PLACES	$\pm$	DRAFT WHERE APPLICABLE MUST REMAIN WITHIN DIMENSIONS		THIRD ANGLE PROJECTION	DRAWING	SERIES	MATERIAL NUMBER	CUSTOMER	SHEET NUMBER
						C-SIZE	73420	SEE TABLE	GENERAL MARKET	2 OF 3

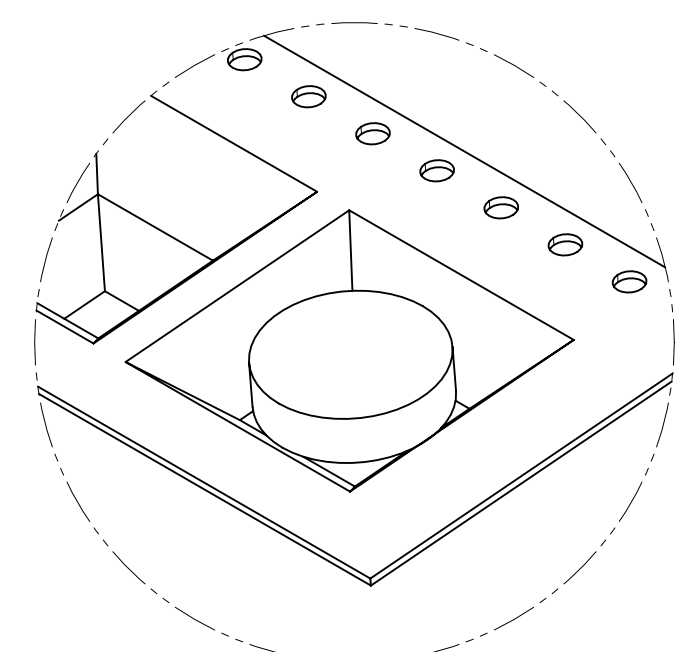
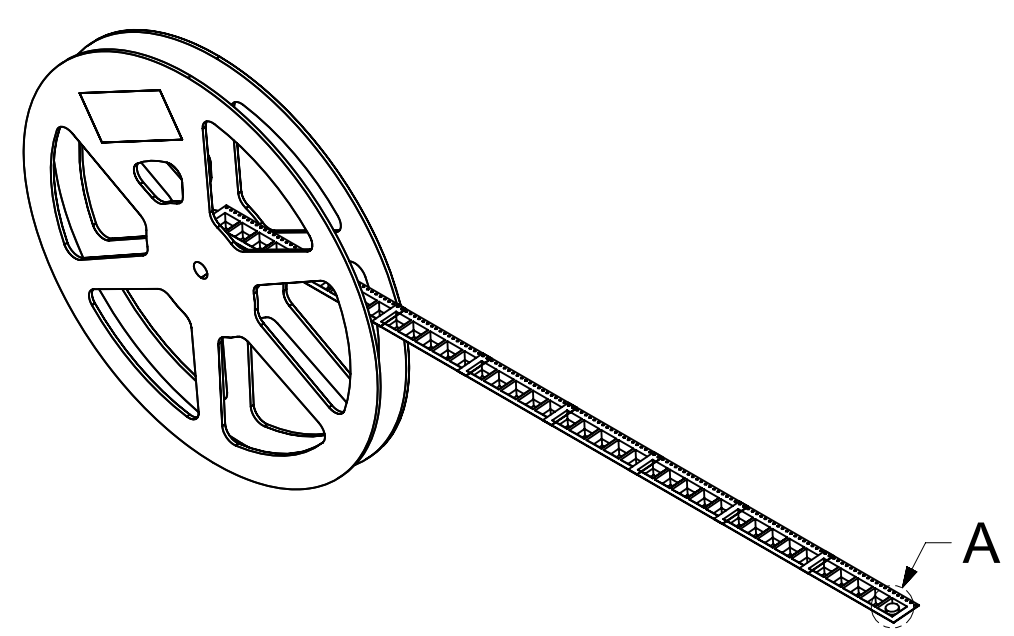
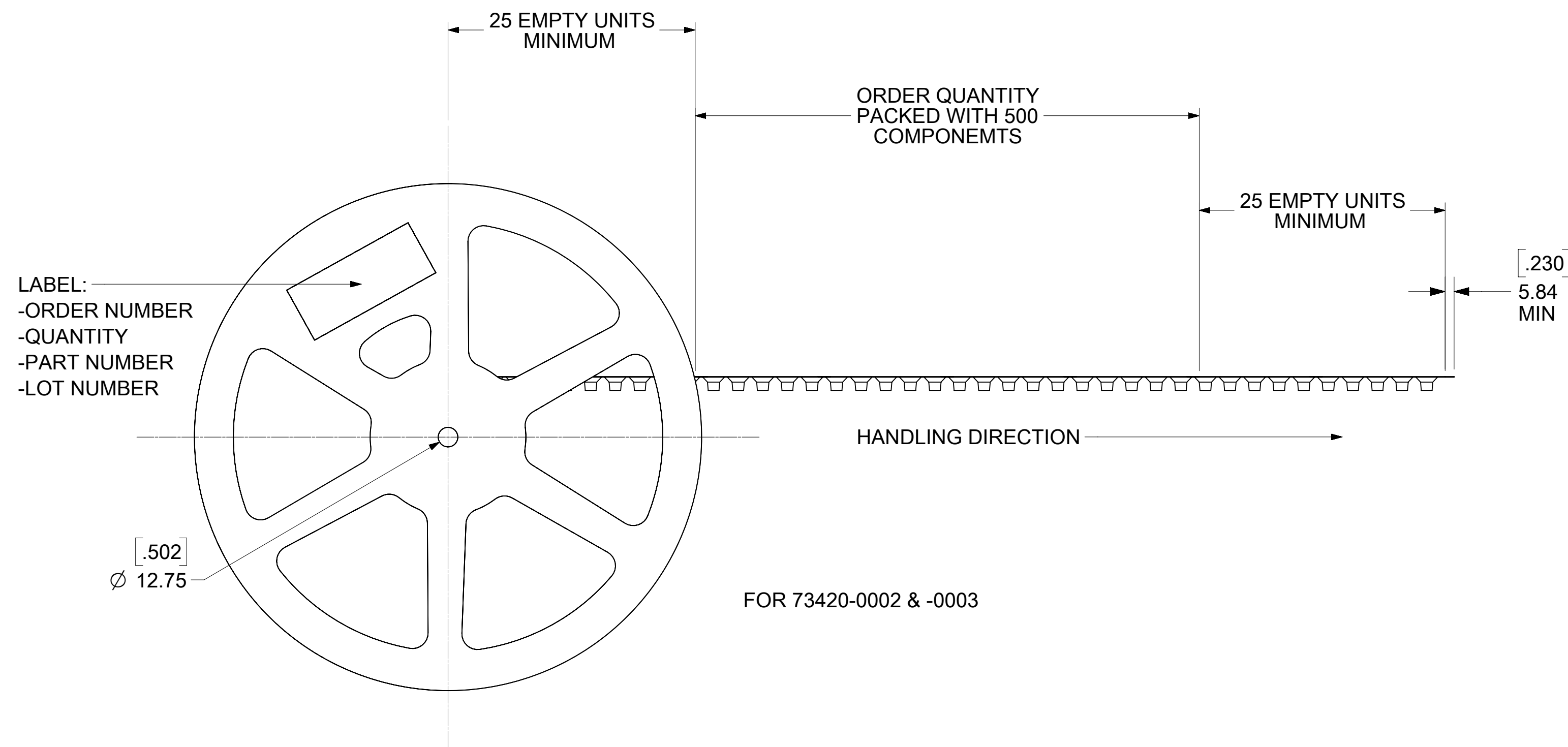
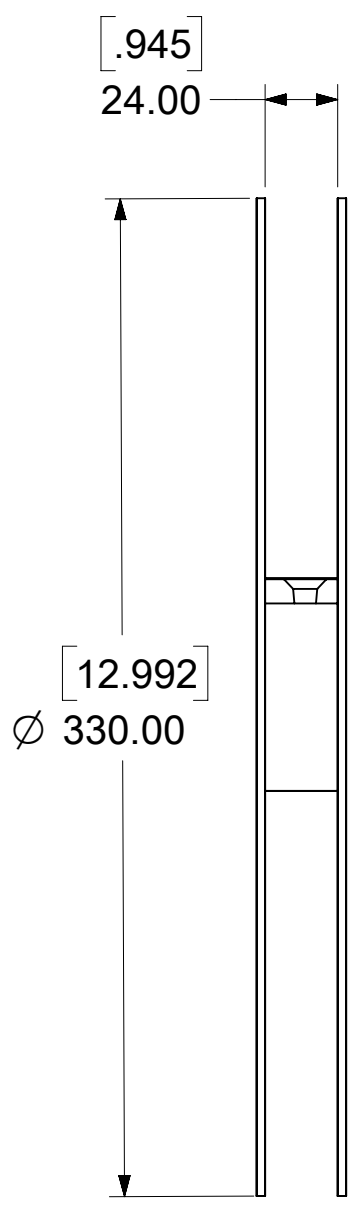
**molex**

SMP-MAX PLUG SLIDE ON  
PCB VERTICAL SMT 50 OHM SMPMAX-P/PCB,  
EWR-4352

PRODUCT CUSTOMER DRAWING

SD-73420-000

PSD 001 C3



DETAIL A  
SCALE 3:1

FUNCTIONAL SYMBOLS	THIS DRAWING CONTAINS INFORMATION THAT IS PROPRIETARY TO MOLEX ELECTRONIC TECHNOLOGIES, LLC AND SHOULD NOT BE USED WITHOUT WRITTEN PERMISSION											
	THIS DRAWING CONTAINS INFORMATION THAT IS PROPRIETARY TO MOLEX ELECTRONIC TECHNOLOGIES, LLC AND SHOULD NOT BE USED WITHOUT WRITTEN PERMISSION	DIMENSION UNITS	SCALE	CURRENT REV DESC: OBSOLETE PART NUMBER AS PER PCN#508506							<b>molex</b>	
HYBRID	NTS	GENERAL TOLERANCES (UNLESS SPECIFIED)		EC NO: 707205								
ANGULAR TOL ± 2.0°	4 PLACES ±		DRWN: PKH 2021/11/17							PRODUCT CUSTOMER DRAWING		
DIVISIONAL SYMBOLS	3 PLACES ±		CHK'D: GGA 2022/06/07							DOCUMENT NUMBER		
2 PLACES ±	2 PLACES ±		APPR: GGA 2022/06/07							DOC TYPE		
1 PLACE ±	1 PLACE ±		INITIAL REVISION:							DOC PART		
0 PLACES ±	0 PLACES ±		DRWN: AROBERTSON 2010/04/15							REVISION		
DRAFT WHERE APPLICABLE MUST REMAIN WITHIN DIMENSIONS	THIRD ANGLE PROJECTION		DRAWING		SERIES		MATERIAL NUMBER		CUSTOMER			
	C-SIZE		73420		SEE TABLE		GENERAL MARKET		SHEET NUMBER			
	C-SIZE		73420		SD-73420-000		PSD 001		C3			