

787231-1 ✓ ACTIVE

CHAMP | CHAMP .8 mm Connector

TE Internal #: 787231-1

Shielded, Backshell Kit, Steel, Straight, 36 Position, CHAMP .8 mm Connector

[View on TE.com >](#)



Connectors > Connector Accessories > Connector Backshells



Connector Backshell Product Style: **Shielded**

Connector Backshell Product Type: **Backshell Kit**

Primary Product Material: **Steel**

Body Orientation: **Straight**

Number of Positions: **36**

Features

Product Type Features

| | |
|-----------------------------------|---------------|
| Connector Backshell Product Style | Shielded |
| Connector Backshell Product Type | Backshell Kit |

Configuration Features

| | |
|---------------------|----|
| Number of Positions | 36 |
|---------------------|----|

Body Features

| | |
|----------------------------------|--------|
| Primary Product Material | Steel |
| Primary Product Plating Material | Nickel |

Housing Features

| | |
|---------------------------------|----------|
| Body Orientation | Straight |
| Compatible With Connector Shape | D-Shaped |

Industry Standards

| | |
|------------------------|----------|
| UL Flammability Rating | UL 94V-0 |
|------------------------|----------|

Packaging Features

| | |
|--------------------|------|
| Packaging Quantity | 100 |
| Packaging Method | Bulk |

Other

| | |
|-----------------------------|--|
| Connector Accessory Comment | Meets Very High Density Cable Interconnect (VHDCI) Standard. |
|-----------------------------|--|

Product Compliance

[For compliance documentation, visit the product page on TE.com>](#)

| | |
|---|--|
| EU RoHS Directive 2011/65/EU | Compliant |
| EU ELV Directive 2000/53/EC | Compliant |
| China RoHS 2 Directive MIIT Order No 32, 2016 | No Restricted Materials Above Threshold |
| EU REACH Regulation (EC) No. 1907/2006 | Current ECHA Candidate List: JUNE 2023 (235) Candidate List Declared Against: JAN 2023 (233) Does not contain REACH SVHC |
| Halogen Content | Low Halogen - Br, Cl, F, I < 900 ppm per homogenous material. Also BFR/CFR/PVC Free |
| Solder Process Capability | Not applicable for solder process capability |

Product Compliance Disclaimer

This information is provided based on reasonable inquiry of our suppliers and represents our current actual knowledge based on the information they provided. This information is subject to change. The part numbers that TE has identified as EU RoHS compliant have a maximum concentration of 0.1% by weight in homogenous materials for lead, hexavalent chromium, mercury, PBB, PBDE, DBP, BBP, DEHP, DIBP, and 0.01% for cadmium, or qualify for an exemption to these limits as defined in the Annexes of Directive 2011/65/EU (RoHS2). Finished electrical and electronic equipment products will be CE marked as required by Directive 2011/65/EU. Components may not be CE marked. Additionally, the part numbers that TE has identified as EU ELV compliant have a maximum concentration of 0.1% by weight in homogenous materials for lead, hexavalent chromium, and mercury, and 0.01% for cadmium, or qualify for an exemption to these limits as defined in the Annexes of Directive 2000/53/EC (ELV). Regarding the REACH Regulation, the information TE provides on SVHC in articles for this part number is based on the latest European Chemicals Agency (ECHA) 'Guidance on requirements for substances in articles' posted at this URL: <https://echa.europa.eu/guidance-documents/guidance-on-reach>

Compatible Parts



Also in the Series | [CHAMP .8 mm Connector](#)



Connector Backshells(5)



D-Sub Locking & Mounting(2)

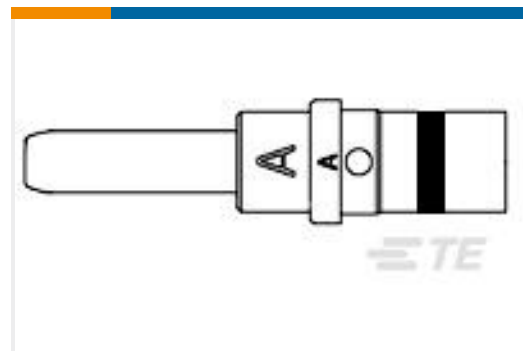
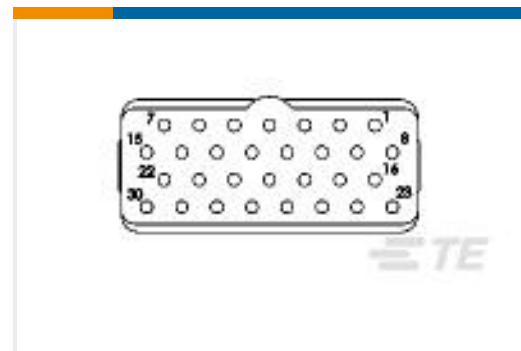
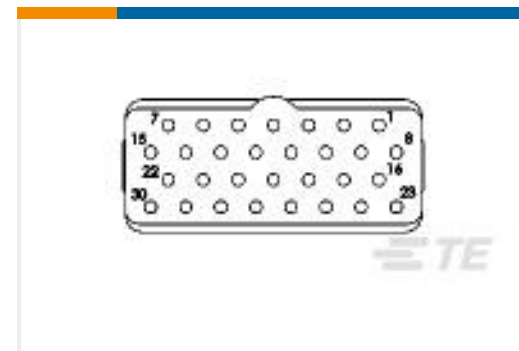
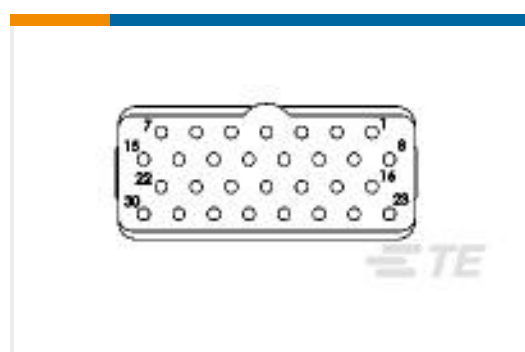
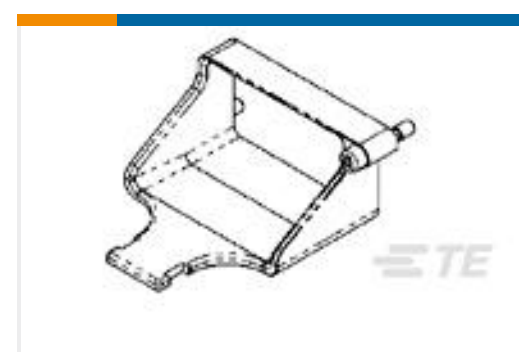


IDC D-Sub Connectors(3)



PCB D-Sub Connectors(8)

Customers Also Bought

TE Part #5-2176373-1
RQ 0805 33R2 0.1% 10PPM 1K RLTE Part #1738017-1
PIN CONT,SIZE 12,GPRTE Part #1738166-1
INSERT ASY,PIN,E,30-P,KEY ATE Part #1738169-1
INSERT ASY,SOCKET,E,30P,KEY ATE Part #1738171-1
INSERT ASY,PIN,E,30-P,KEY BTE Part #YCTD126E01AC015000
MODULE ASSYTE Part #1877698-1
Insert Asy,Pin, GPRBE3Q3PBTE Part #1738310-1
STRAIN RELIEF KIT,STRT,GPRB1

Documents

Product Drawings

.8MM CHAMP,BULK KIT

English

CAD Files

Customer View Model

[ENG_CVM_CVM_787231-1_B.2d_dxf.zip](#)

English

3D PDF

3D

Customer View Model

[ENG_CVM_CVM_787231-1_B.3d_igs.zip](#)

English

Customer View Model

[ENG_CVM_CVM_787231-1_B.3d_stp.zip](#)

English

By downloading the CAD file I accept and agree to the [Terms and Conditions](#) of use.



Product Specifications

[Application Specification](#)

English

Agency Approvals

[UL Report](#)

English