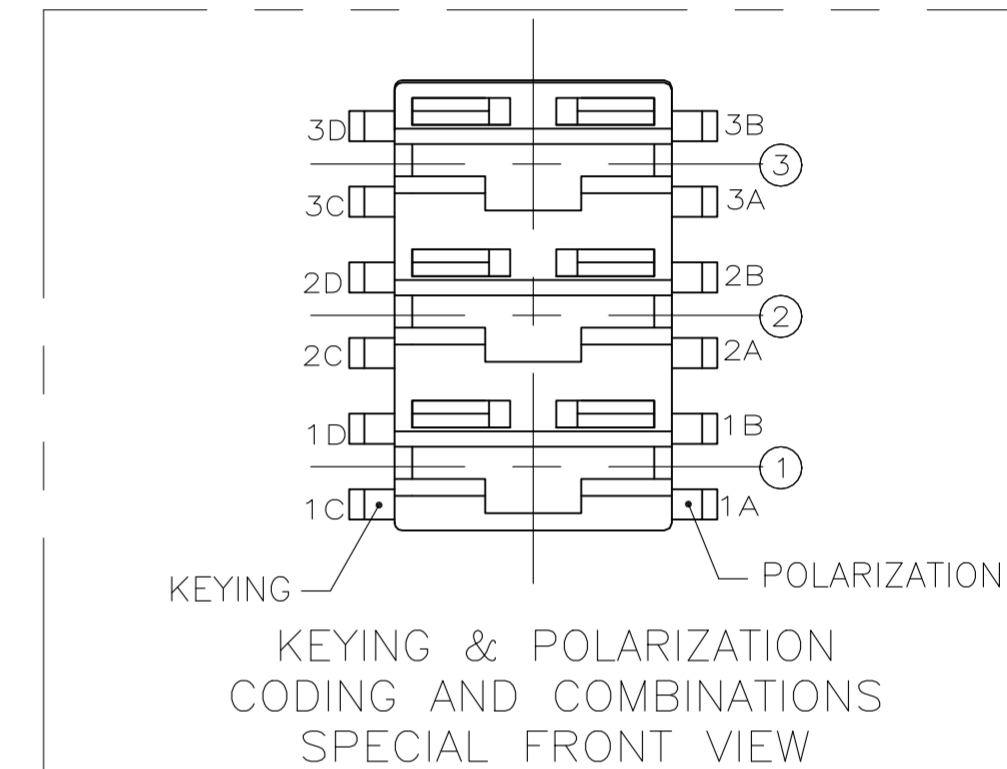
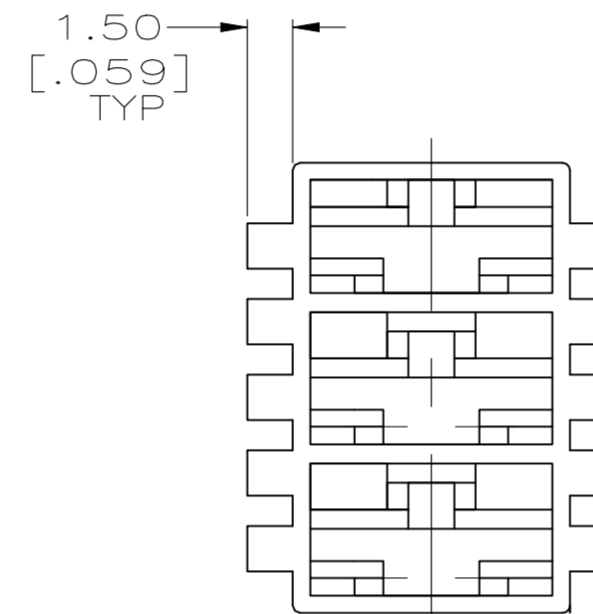
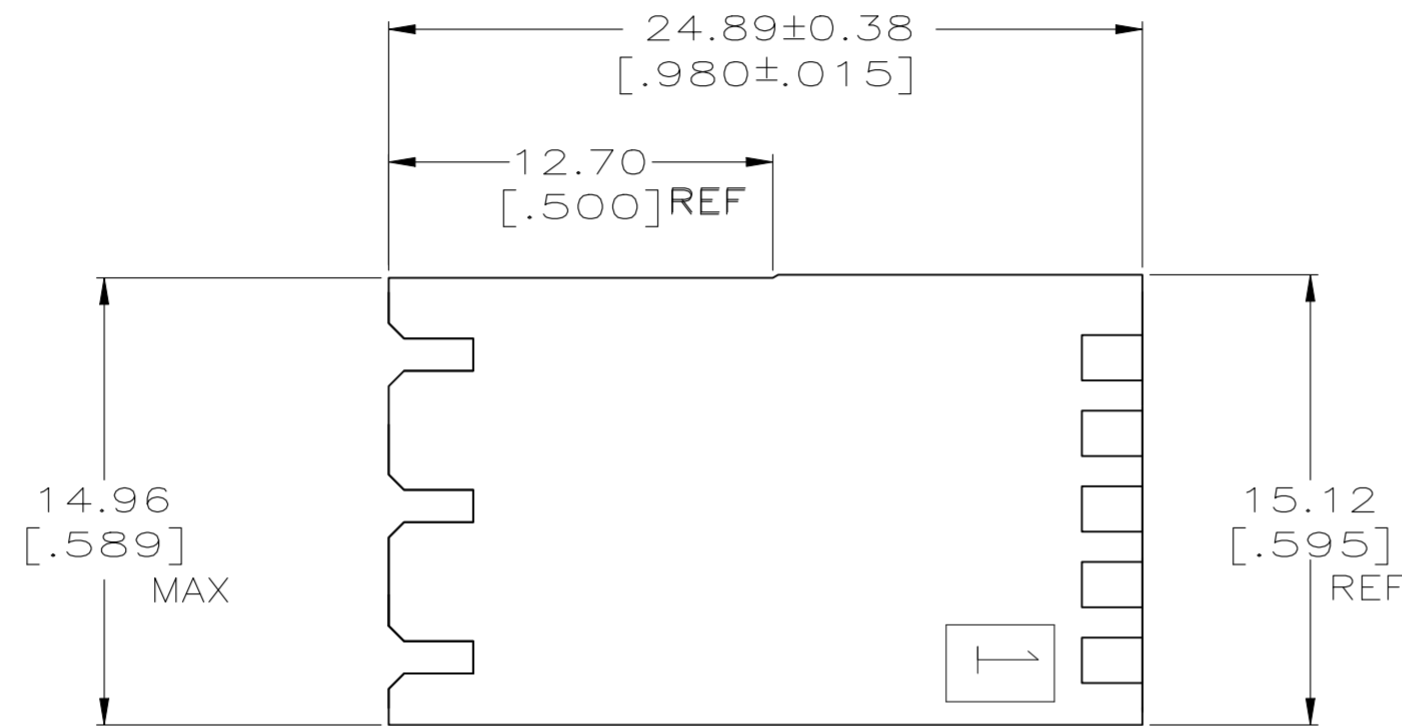
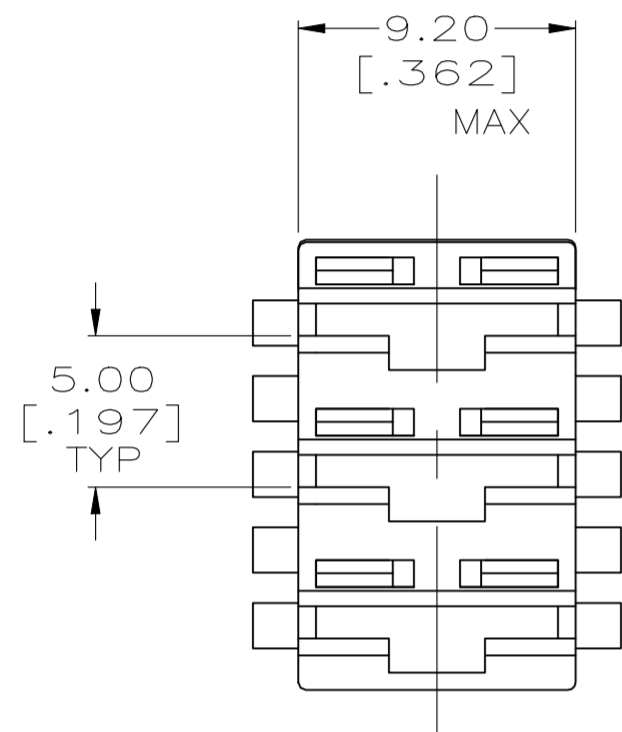
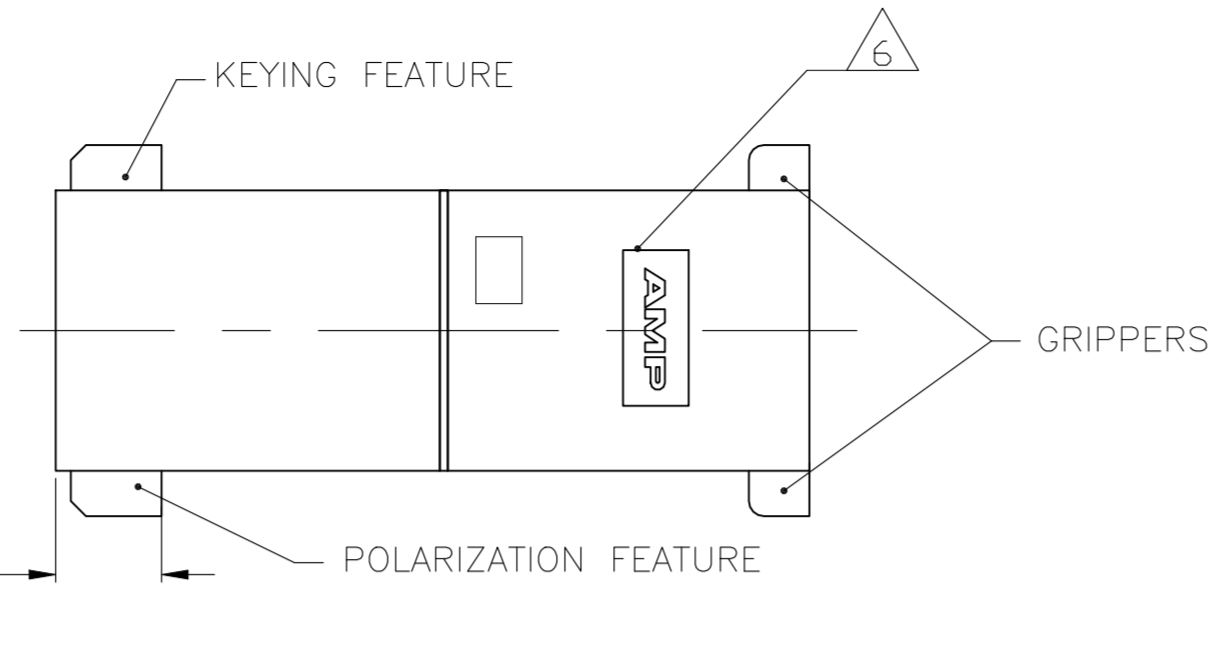


THIS DRAWING IS UNPUBLISHED. RELEASED FOR PUBLICATION
 © COPYRIGHT - By - ALL RIGHTS RESERVED.

REVISIONS					
P	LTR	DESCRIPTION	DATE	DWN	APVD
G7		REVISED PER ECR-23-184740	21AUG2023	SM	FL



1 ACCEPTS RECEPTACLE CONTACTS 1217378 (#22-#18 AWG SINGLE WIRE), 1217094 (#18-#14 AWG SINGLE WIRE) AND 1217095 (TWO #18'S OR TWO #16'S OR A #16 + #18 COMBINATION).

2 FRONT AND BACK VIEWS SHOW ONLY THE GRIPPERS. FOR KEYING AND POLARIZATION FEATURES, SEE SPECIAL FRONT VIEW.

3 ACCORDING TO IEC 60335-1, GWEPT 750°C WITHOUT FLAME

4 PRELIMINARY - NOT FOR PRODUCTION

5 PREPRODUCTION- FASR REQUIRED

6 TRADEMARK/LOGO : AMP OR TE

3	-	NATURAL	1C,2D	1B	1-521205-2
	-	NATURAL	1C	1A,3A	9-521205-3
OBSOLETE	-	BLUE	1C,3D	1B	4 1-521205-9
3	-	NATURAL	1C, 3C	3B	1-521205-1
	-	BLACK	NONE	NONE	4 1-521205-0
	-	BLUE	1C,3D	1B	521205-9
	-	BLUE	1C,3D	2A,3B	4 521205-8
	-	NATURAL	1C,3C	3B	521205-7
	03-K	NATURAL	1C,3D	3B	521205-6
	-	BLUE	1C,2D	1B,3A	4 521205-5
	-	BLUE	1D,2C,3D	2A	521205-4
	-	BLUE	NONE	NONE	4 521205-3
	03-A	NATURAL	1C,2D	1B	4 521205-2
	03-A	BLUE	1C,2D	1B	521205-1
	RAST 5 DESIGNATION	FINISH/COLOR	KEYING FEATURE	POLARIZATION FEATURE	PART NUMBER

THIS DRAWING IS A CONTROLLED DOCUMENT.		DWN	JR RUTH	10/20/98		TE Connectivity		
DIMENSIONS: mm [INCHES]		CHK	MS FEHER	10/20/98		HOUSING, RECEPT, POSITIVE-LOCK, MKIII, 6.35 [.250] SERIES, 3 POSITION		
TOLERANCES UNLESS OTHERWISE SPECIFIED:		APVD	J GILLESPIE	10/20/98		SIZE	CAGE CODE	DRAWING NO
0 PLC ± - 1 PLC ± - 2 PLC ± 0.25 [.010] 3 PLC ± - 4 PLC ± - ANGLES ± -		PRODUCT SPEC	-			A2	00779	C=521205
MATERIAL	NYLON	FINISH	SEE TABLE		WEIGHT	-		
CUSTOMER DRAWING					SCALE	4:1	SHEET	1 OF 1
					REV	G7		