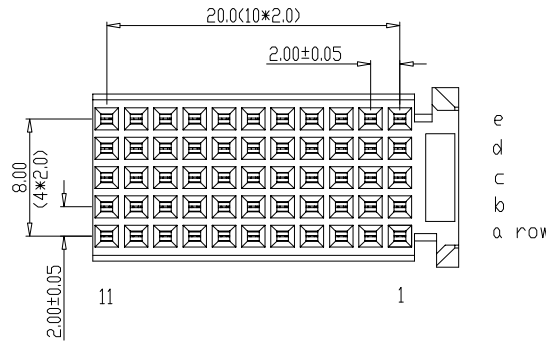
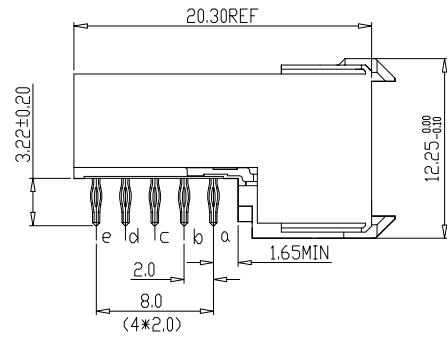




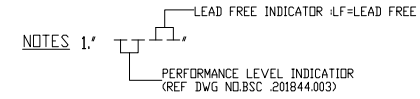
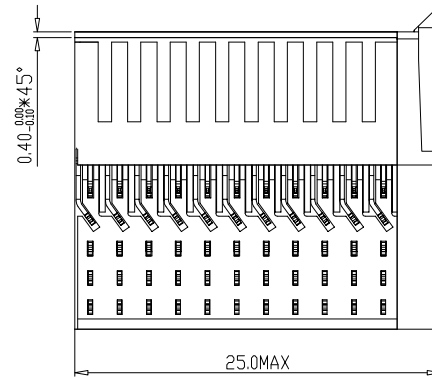
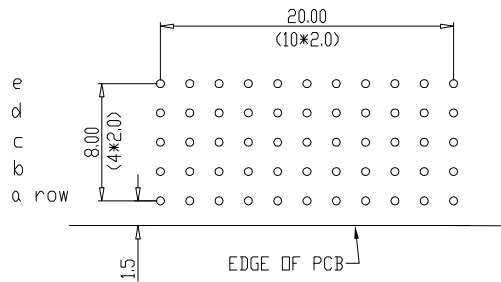
Tous droits strictement réservés. Reproduction ou communication à des tiers interdite sous quelque forme que ce soit sans autorisation écrite du propriétaire. Propriété de c FCI. Droits de reproduction FCI.

All rights strictly reserved. Reproduction or issue to third parties in any form whatever is not permitted without written authority from the proprietor. Property of FCI. Copyright FCI.



PERFORMANCE CHARACTERISTICS
 CURRENT RATING 1.5A AT 20°C (FULLY LOADED)
 1 A AT 70°C (FULLY LOADED)
 RATED VOLTAGE : 500 V AC (CONT /CONT)
 OPERATING TEMPERATURE : -55°C TO 125°C
 CONTACT RESISTANCE 20 MΩ MAX
 INSERTION FORCE : 0.75N MAX/CONT
 EXTRACTION FORCE : 0.15N MIN/CONT
 INSULATION RESISTANCE : 10⁴ MΩ MIN

LAY-OUT
 P.C.B.- HOLE



- NOTES**
- PERFORMANCE LEVEL INDICATOR (REF DWG NO.BSC 201844.003)
 - THIS PRODUCT IS CSA APPROVED. THIS PRODUCT IS UL RECOGNIZED.
 - FOR RECOMMENDED PTH DIMENSIONS REFER DRAWING : BSA.201572.001
 - THIS PRODUCT (LF) MEETS EUROPEAN UNION DIRECTIVES AND OTHER COUNTRY REGULATIONS AS DESCRIBED IN GS-22-008

| rev | ecn no | dr | date |
|-----|------------------------|-------|----------|
| A | CONVERSION REVISION 06 | KN | 14-09-01 |
| B | DG05-0278 | Kason | 02-08-05 |
| C | DG07-0362 | Kason | 05-09-07 |
| D | DG10-0110 | NZ | 05-30-10 |

| | | | |
|----------------|----------|---|-----------------------------------|
| Material | | Spec ref | |
| Mat code | | tolerance IDEC ± 0.2 IDEC 2DEC ± 0.1 2DEC ANGLES ± 1° HEIKEN | projection MM |
| Heatreat | | | |
| Plating/Finish | | size A4 | Scale 2.000 |
| Dr W.Panis | 10-01-95 | | |
| Eng | | Product family | MILLIPACS |
| Chr | | Model Name | ECN |
| Appr | | Model Revision | REL Level |
| FCJ | | title | MPACS 5+2R RA RCP CONN TYPE CR |
| Pro/E file | | catalog no | HM2R21PA5100---- |
| | | dwg no | BSC201418038 |
| | | CUSTOMER DRAWING | sheet 1 of 1 |